



# UNIVERSAL SILENCER

A FLEETGUARD/NELSON COMPANY  
P.O. Box 411, Stoughton, Wisconsin 53589  
608-873-4272 Fax 608-873-4298

## STANDARD THREADED CCF-2 1/2 INTAKE FILTER

DATE 7-9-98

SHEET OF

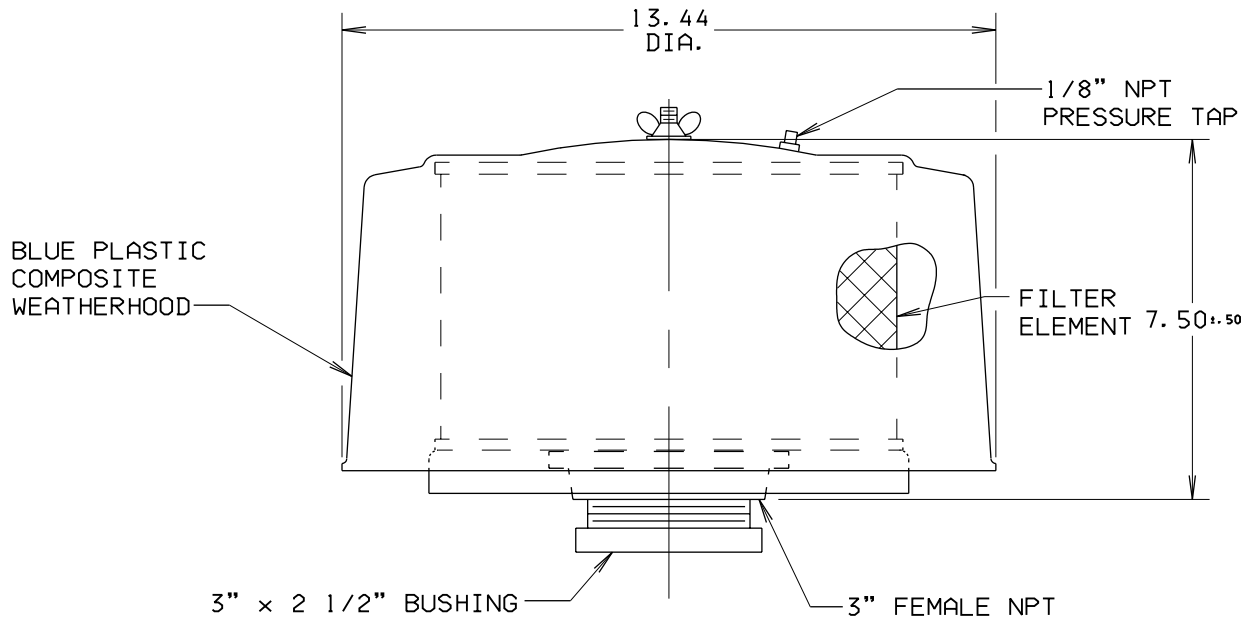
SCALE NTS

NO.

REVISION

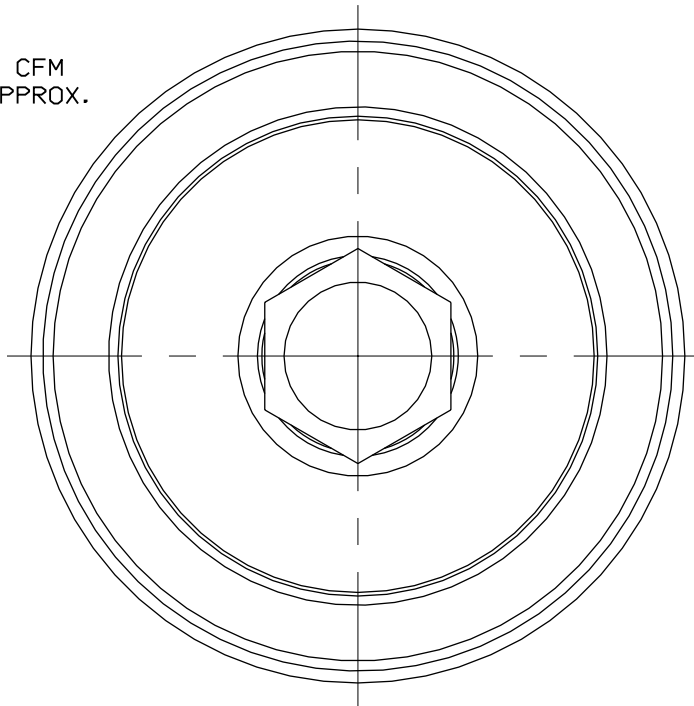
DRAWN

APP'D



1. NOMINAL CAPACITY: 190 CFM  
AT FLOW VELOCITY OF APPROX.  
5,500 FT/MIN.

2 MATERIAL AND FINISH  
DESCRIPTIONS DO NOT  
INCLUDE WEATHERHOOD.



FILTER ELEMENTS INCLUDED (APPLIED ONLY TO ORDER  
FOR WHICH DRAWING IS CERTIFIED)

DIMENSIONS CERTIFIED FOR:

FILTER TYPE AND PART NUMBER	SINGLE STAGE	DUAL STAGE	
		PRE-FILTER	FINAL FILTER
CC-4F (FELT) 81-1205	1		

P. O. NO:

U. S. S. O. NO:

BY

DATE

DIMENSIONAL DRAWING NO.  
**34-L25-TTF**

APPROX WT 11	MATERIAL STEEL	2	DRAWN TAH	DIMENSIONAL DRAWING NO.	REV.
FINISH 88-1085 BLUE ENAMEL		2	CHECK MDB 7-13-98	<b>34-L25-TTF</b>	<b>0</b>