



**UNIVERSAL SILENCER**

A FLEETGUARD/NELSON COMPANY  
 P.O. Box 411, Stoughton, Wisconsin 53589  
 608-873-4272 Fax 608-873-4298

STANDARD THREADED  
 CCF-2 1/2 INTAKE FILTER

DATE 7-9-98

SHEET OF

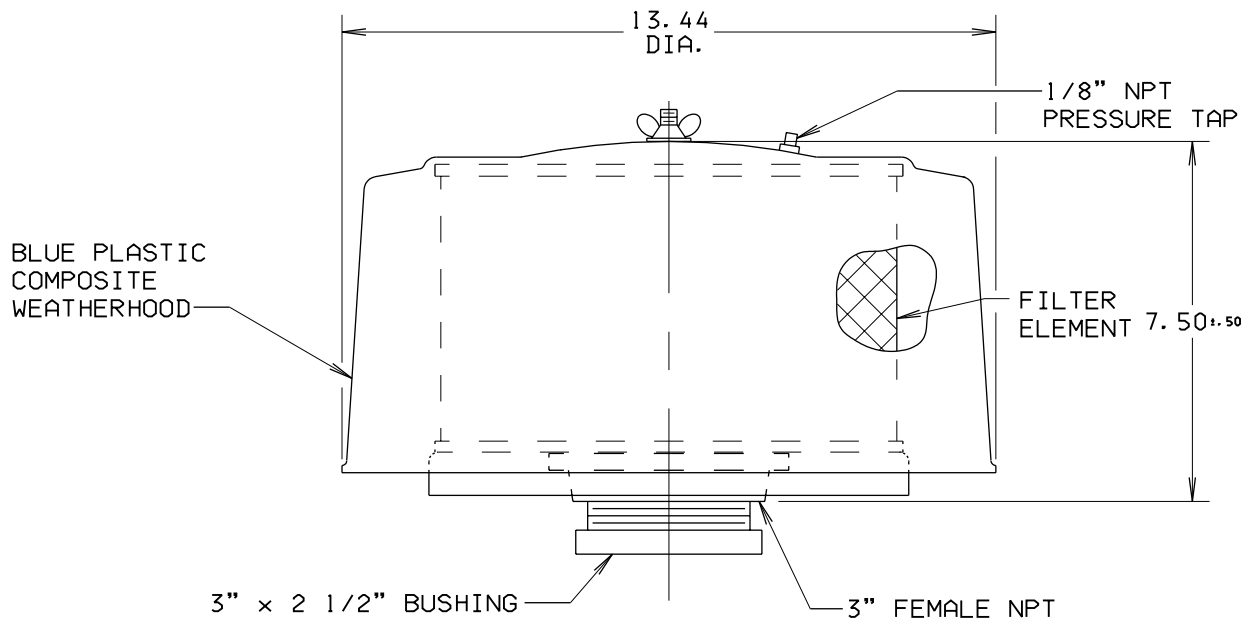
SCALE NTS

NO.

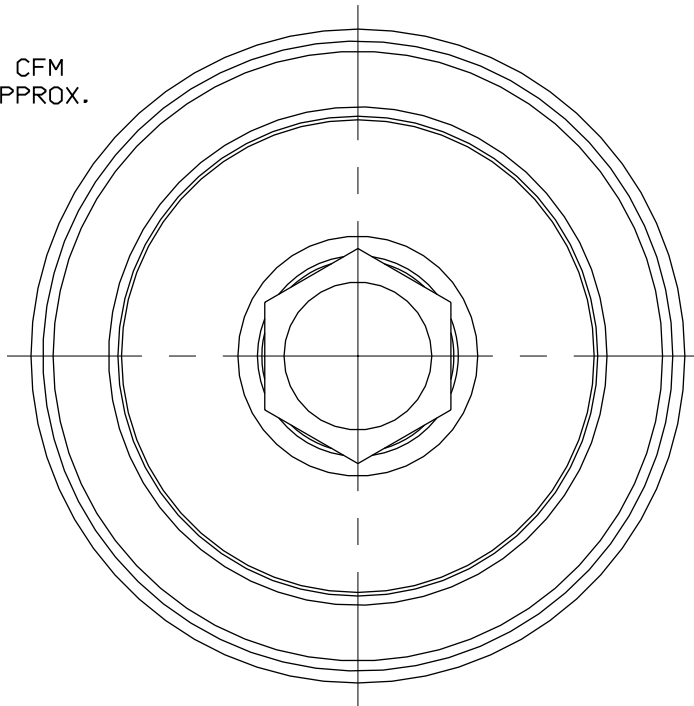
REVISION

DRAWN

APP'D



1. NOMINAL CAPACITY: 190 CFM AT FLOW VELOCITY OF APPROX. 5,500 FT/MIN.
2. MATERIAL AND FINISH DESCRIPTIONS DO NOT INCLUDE WEATHERHOOD.



DIMENSIONAL DRAWING NO. 34-L25-TTP

|   |              |            |                           |           |
|---|--------------|------------|---------------------------|-----------|
| FILTER ELEMENTS INCLUDED (APPLIED ONLY TO ORDER FOR WHICH DRAWING IS CERTIFIED) |              |            | DIMENSIONS CERTIFIED FOR: |           |
| FILTER TYPE AND PART NUMBER   | SINGLE STAGE | DUAL STAGE |                           | P. O. NO: |
|   |              | PRE-FILTER | FINAL FILTER              |           |
| CC-4P (PAPER) 81-1063   | 1            |            |                           | BY        |
|   |              |            |                           | DATE      |

|        |                            |                |   |                   |                         |      |
|--------|----------------------------|----------------|---|-------------------|-------------------------|------|
| REV. 0 | APPROX WT 11               | MATERIAL STEEL | 2 | DRAWN TAH         | DIMENSIONAL DRAWING NO. | REV. |
|        | FINISH 88-1085 BLUE ENAMEL |                | 2 | CHECK MDB 7-13-98 | 34-L25-TTP              | 0    |