



UNIVERSAL SILENCER

A FLEETGUARD/NELSON COMPANY
P.O. Box 411, Stoughton, Wisconsin 53589
608-873-4272 Fax 608-873-4298

STANDARD THREADED CCF-2 1/2 INTAKE FILTER

DATE 7-9-98

SHEET OF

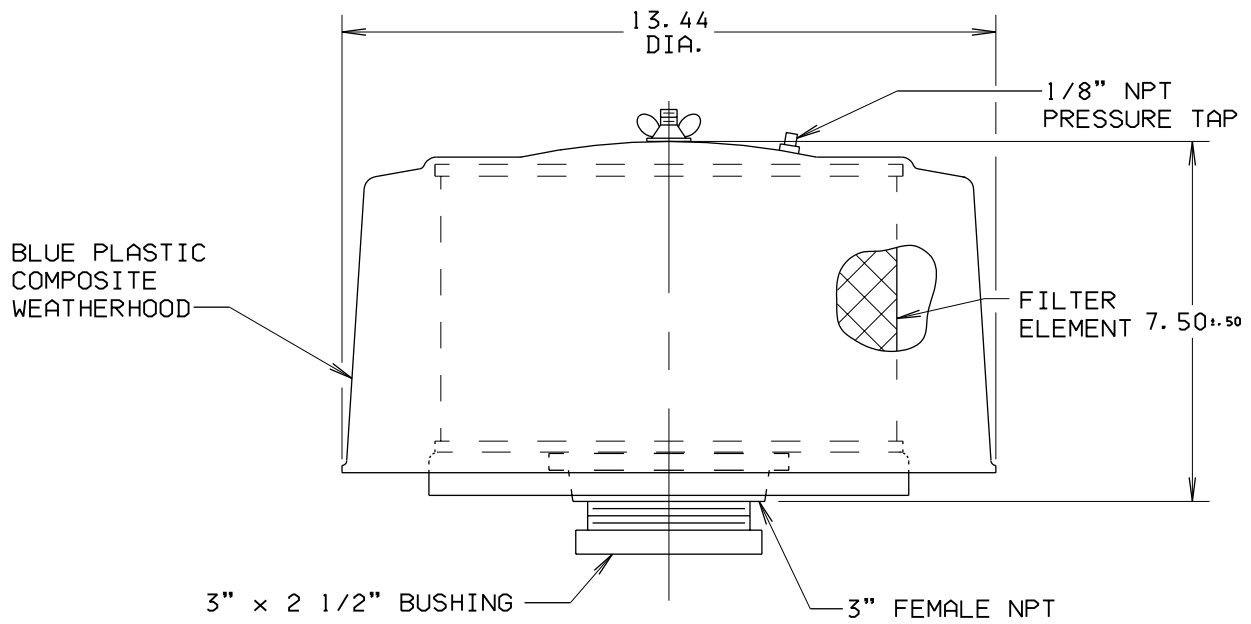
SCALE NTS

NO.

REVISION

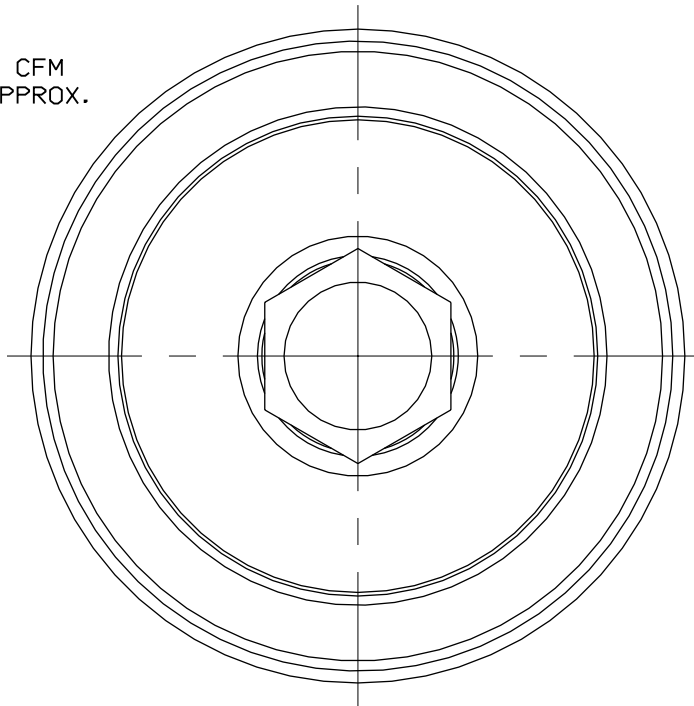
DRAWN

APP'D



1. NOMINAL CAPACITY: 190 CFM
AT FLOW VELOCITY OF APPROX.
5,500 FT/MIN.

2. MATERIAL AND FINISH
DESCRIPTIONS DO NOT
INCLUDE WEATHERHOOD.



DIMENSIONAL DRAWING NO.
34-L25-TTW

FILTER ELEMENTS INCLUDED (APPLIED ONLY TO ORDER
FOR WHICH DRAWING IS CERTIFIED)

DIMENSIONS CERTIFIED FOR:

FILTER TYPE AND PART NUMBER	SINGLE STAGE	DUAL STAGE	
		PRE-FILTER	FINAL FILTER
CC-4W (WIRE MESH) 81-1038	1		

P. O. NO:

U. S. S. O. NO:

BY

DATE

REV. 0	APPROX WT 11	MATERIAL STEEL	DRAWN TAH	DIMENSIONAL DRAWING NO. 34-L25-TTW	REV. 0
	FINISH 88-1085 BLUE ENAMEL				