



**UNIVERSAL SILENCER**

A FLEETGUARD/NELSON COMPANY  
 P.O. Box 411, Stoughton, Wisconsin 53589  
 608-873-4272 Fax 608-873-4298

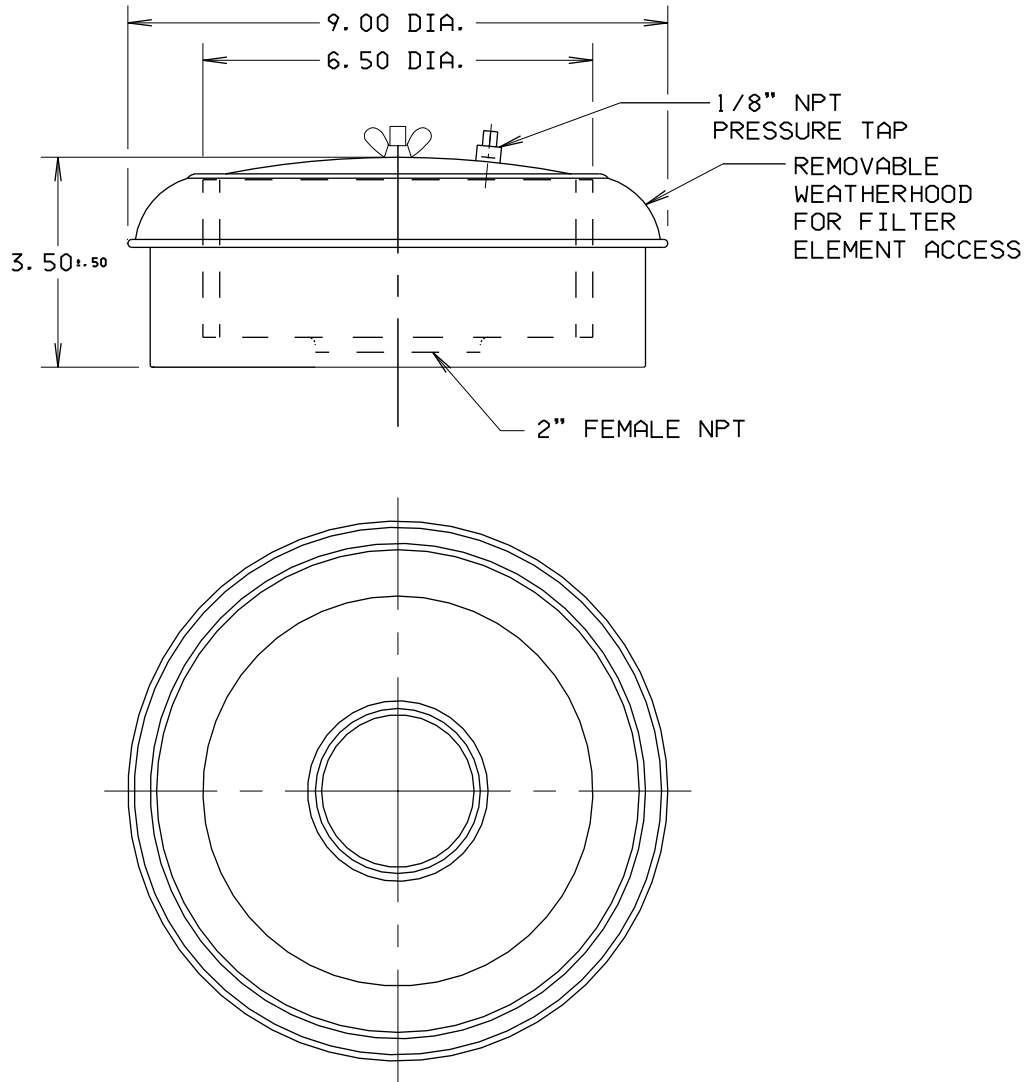
STANDARD  
 CCF-2 INTAKE FILTER

DATE 9-24-98

SHEET OF

SCALE NTS

NO.  
 REVISION  
 DRAWN  
 APP'D



NOTES:

- 1. RECOMMENDED FLOW CAPACITY: 120 CFM MAX.

DIMENSIONAL DRAWING NO.  
**34-L02-TTP**  
 0

FILTER ELEMENTS INCLUDED (APPLIED ONLY TO ORDER FOR WHICH DRAWING IS CERTIFIED)			DIMENSIONS CERTIFIED FOR:	
FILTER TYPE AND PART NUMBER	SINGLE STAGE	DUAL STAGE		P. O. NO:
		PRE-FILTER	FINAL FILTER	
CC-2P (PAPER) 81-0471	1			BY
				DATE

APPROX WT 8	MATERIAL STEEL	DRAWN TAH	DIMENSIONAL DRAWING NO.	REV.
FINISH 88-1085 BLUE ENAMEL	CHECK MB 9-30-98	<b>34-L02-TTP</b>		<b>0</b>