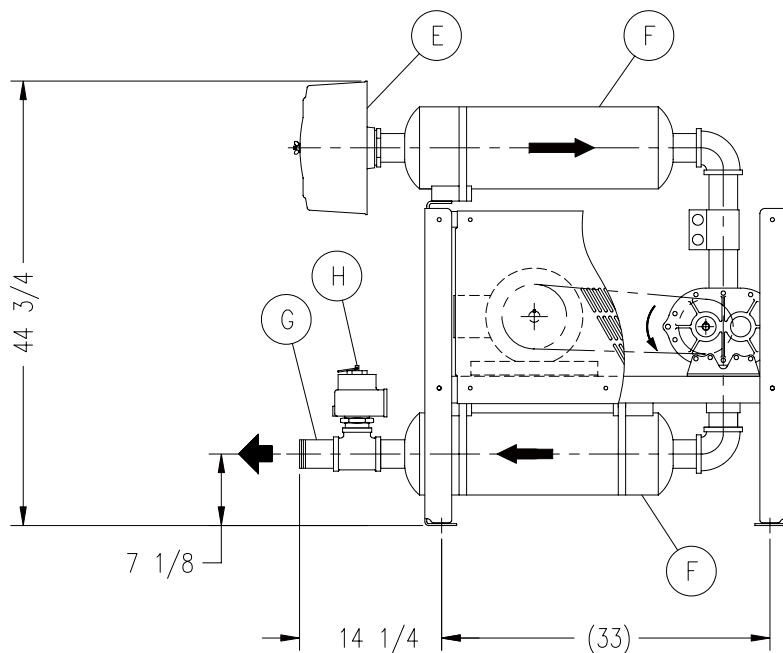


PLAN VIEW




ELEVATION VIEW

ITEM	QTY	PART NO.	DESCRIPTION	EXT	UM	MATL NO.
A	1	BA166 B 0000	BASE WELDMENT			
B	1	BLW36URAILC	BLOWER, ROOTS, 36 URAI-LHC			
C	1	MTR162T	MOTOR, AC, 7.5 HP, 1800 RPM, TEFC			
D	1	BSE006	BASE, MOTOR, 213T			
E	1	FLT047	FILTER, UNIVERSAL, CCF-2.5			
F	2	SIL028	SILENCER, SD-2.5, 2-1/2" MPT, IN LINE			
G	1	VLV005	VALVE, CHECK, 2-1/2" MPT X 2-1/2" MPT			
H	1	VRS PK20 P06	VALVE, RELIEF, 2" SET @ 6 PSI			
J	1	PA002 N F006	GAUGE ASSY, 0-15 PSI, 2-1/2" DIA			

NOTE:

1. ALL DIMENSIONS ARE APPROXIMATE AND SUBJECT TO CHANGE.
 2. CERTIFIED DRAWINGS AVAILABLE UPON REQUEST.
 3. DIMENSIONS ARE IN INCHES, BRACKETED [] DIMENSIONS ARE MILLIMETERS.
 4. UNLESS OTHERWISE NOTED, DIMENSIONS ARE $\pm 1/4"$.
 5. CUSTOMER MUST SUPPORT OUTLET CONNECTION.
- $\triangle 6$ SEE SEPARATE BILL FOR DRIVE INFORMATION.

REV	DESCRIPTION	DATE	BY
		ROTATING ENGINEERED PRODUCTS, INC. 2405 MURPHY BOULEVARD GAINESVILLE, GA. 30504 TOLL FREE: (800) 536-9933, (770) 538-0020, FAX: (770) 538-0022	
SCALE: NTS		TITLE: BLOWER PRESSURE PACKAGE	
DRAWN BY: AM/BB		DATE: 2-13-07	
CHECKED BY:		DATE:	
APPD. BY:		DATE:	
MODEL/CUSTOMER		DRAWING NO. P336URT7HNC1EAB	SHEET NO. REV. 1 OF 1