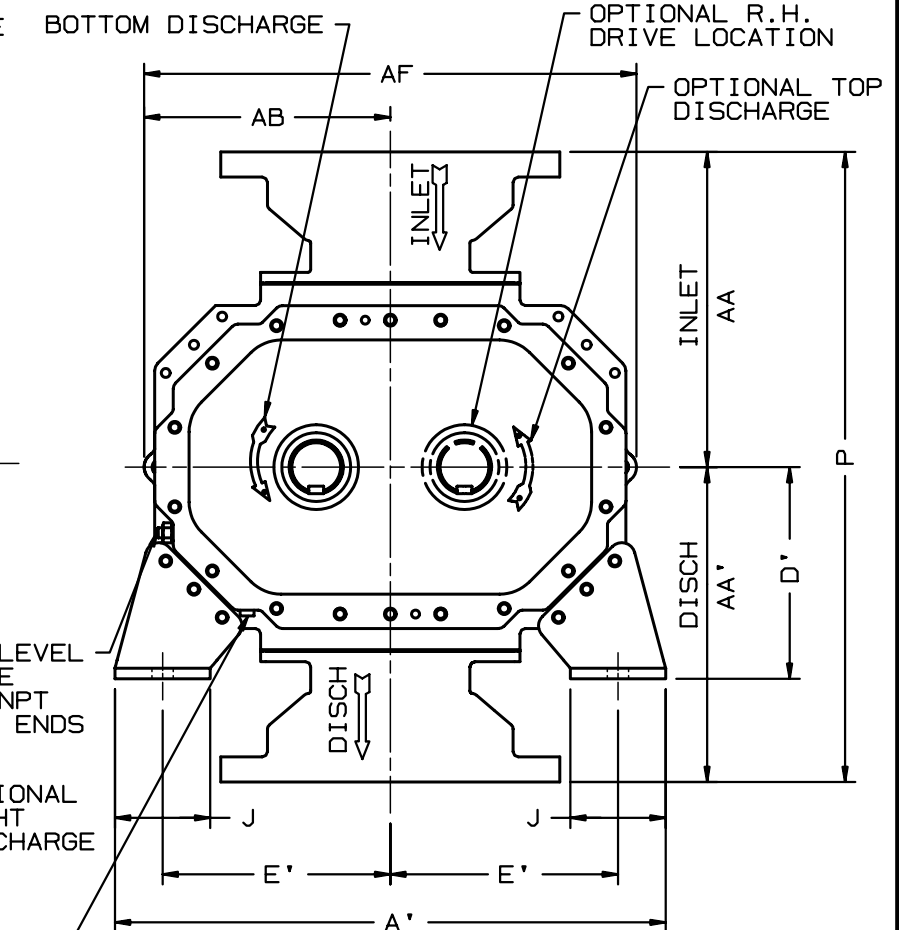
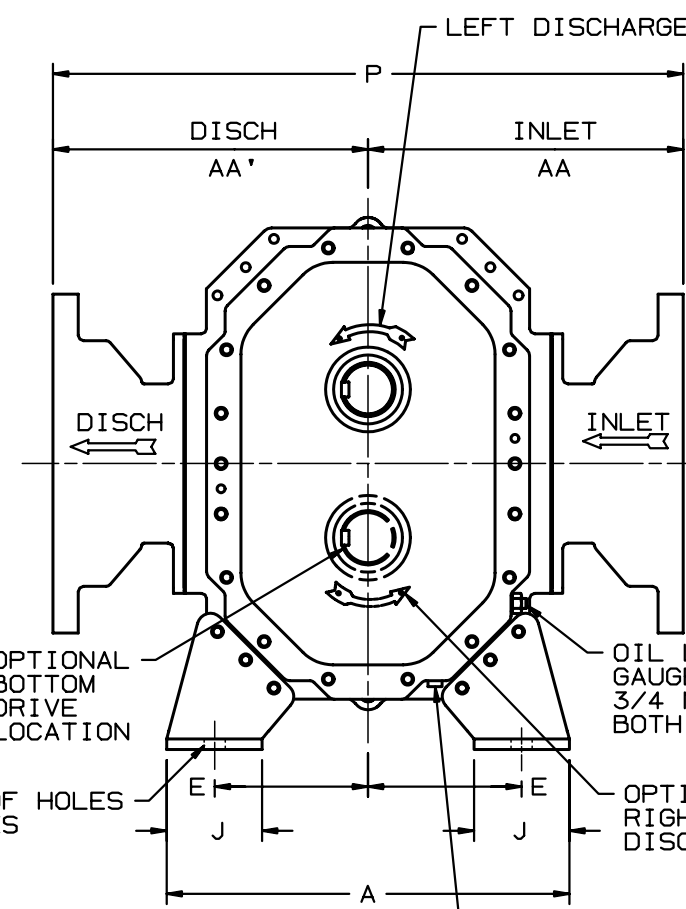
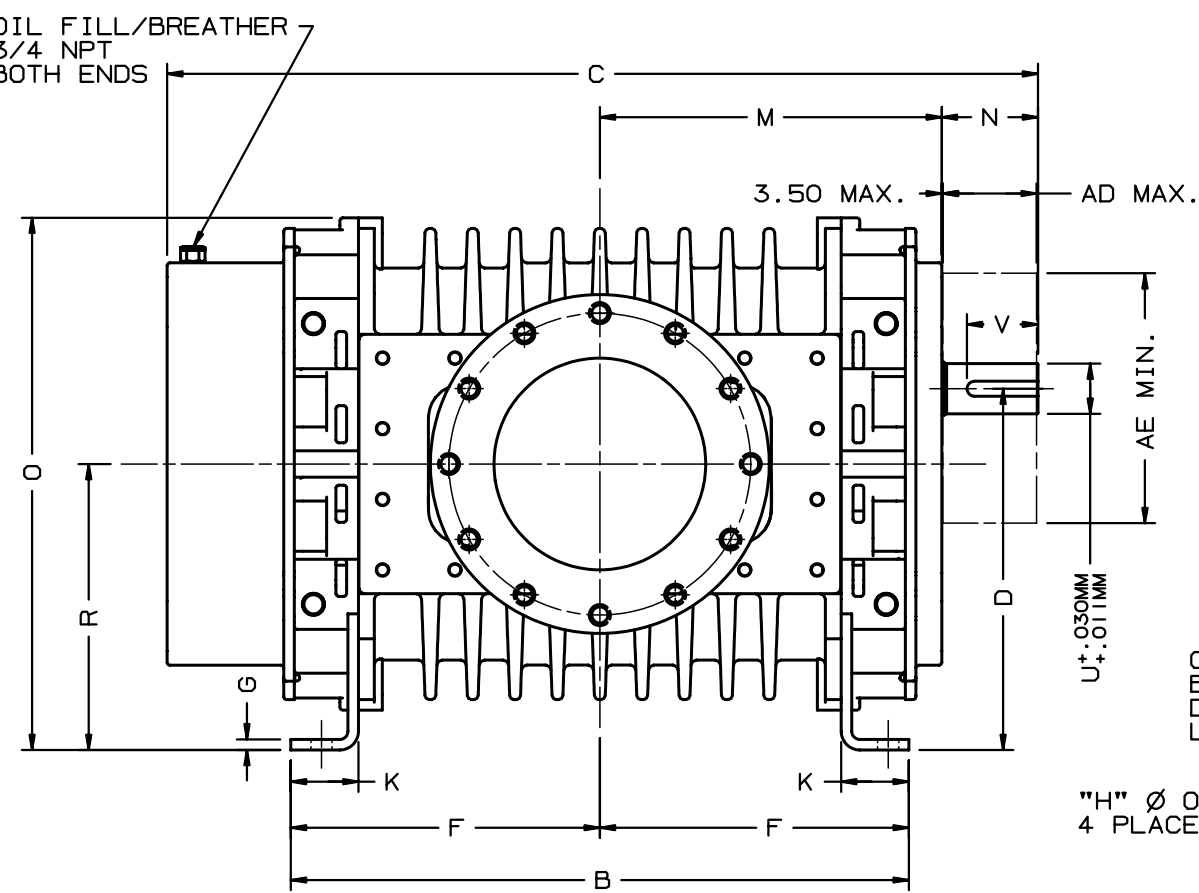


OIL FILL/BREATHER
3/4 NPT
BOTH ENDS



INLET & DISCHARGE FLANGES TO MATE FLUSH & SQUARE WITH FLAT FACE FLANGE ONLY. USE FULL FACE GASKETS.

V-BELT DRIVEN UNITS: MOTOR TO BE LOCATED ON INLET SIDE OF BLOWER.

AD - MAXIMUM SHEAVE WIDTH (SEE OVERHUNG LOAD LIMIT K-24102)

AE - MINIMUM SHEAVE DIAMETER (SEE OVERHUNG LOAD LIMIT K-24102)

ALL DIMENSIONS IN MM, IMPERIAL DIMENSIONAL #92517021

| ISO FLANGE DIMENSIONS | | | | | | |
|-----------------------|-----|-----|-----|----|--------|------|
| | FA | FB | FC | FD | FE | FG |
| 250 FLG | 254 | 350 | 406 | 12 | 20X2.5 | 30.2 |
| 350 FLG | 305 | 400 | 483 | 12 | 20X2.5 | 31.8 |

FA - FLANGE OPENING
FB - FLANGE BOLT CIRCLE
FC - FLANGE O.D.
FD - No. TAPPED HOLES
FE - SIZE OF TAPPED HOLES
FG - DEPTH OF TAP

| DRIVE LOCATION | | |
|-----------------|----------------|-----|
| DISCH. LOCATION | DRIVE LOCATION | |
| | LH | RH |
| TOP | CW | CCW |
| BOTTOM | CCW | CW |

UNIT IS BUILT TO CUSTOMERS SPECIFIED ORIENTATION

| MODEL | A | A' | B | C | D | D' | E | E' | F | G | H | J | K | M | N | O | P | R | U MM | V MM | KEYWAY MM | INLET AA | DISCH AA' | AB | AD | AE | AF | FLANGE SIZE | APPROX WEIGHT |
|-------|-----|-----|-----|------|-----|-----|-----|-----|-----|----|----|-----|----|-----|-----|-----|-----|-----|---------|---------|--------------|-------------|--------------|-----|-----|-----|-----|----------------|------------------|
| 600 | 483 | 660 | 731 | 1046 | 432 | 254 | 184 | 273 | 337 | 13 | 25 | 114 | 76 | 410 | 116 | 638 | 756 | 343 | 60.0 | 76.2 | 18.0X7.0 | 378 | 378 | 295 | 112 | 300 | 590 | 250 | 675 KG |
| 770 | " | " | 877 | 1192 | " | " | " | " | 410 | " | " | " | " | 483 | " | " | 810 | " | " | " | " | 405 | 405 | " | " | " | " | 350 | 820 KG |

| | | | | | | | | | |
|---|-------------------|----|-------|-------------------------------|---|--|--|-----------------|------------|
| CERTIFIED CORRECT FOR CUSTOMER ORDER No. _____ ROOTS ORDER No. _____ DATE _____ | V-BELT DRIVE DATA | | | | RAM X™ TRILOBE BLOWERS METRIC MODELS 600 & 770 | | Dresser ROOTS, Dresser, Inc. Connersville, IN USA | 92518021 | REV. _____ |
| | REVISIONS | BY | CHKD. | APP. | | | | | |
| | BELTS | | | | | | | | |
| | DRIVE SHEAVE | | | | | | | | |
| DRIVEN SHEAVE | | | | DR _____ CHKD _____ APP _____ | | | | | |
| CENTER DISTANCE | | | | 92518021 XXAD | | | | | |