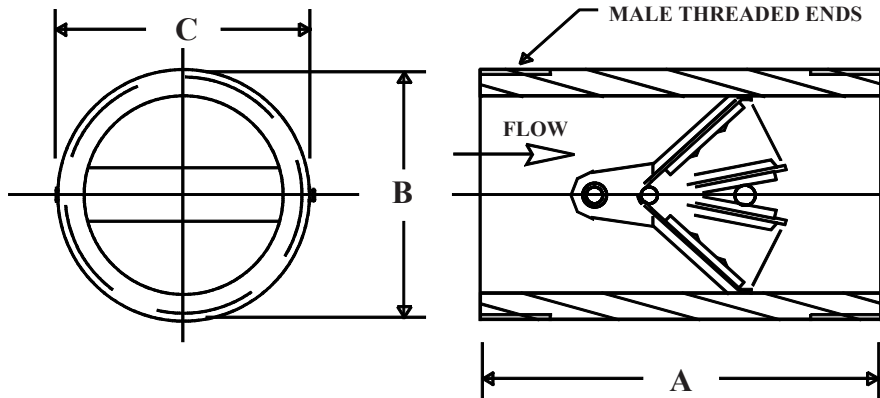




**TECHNOCHECK INLINE CHECK VALVE  
SPECIFICATION**

**SPEC NO.: 400-TECHNO-5002  
INLINE FLAPPER TYPE CHECK VALVE  
VALVE THREADED CONNECTION**



|  | VALVE SIZE | "A" | "B"    | "C"   |
|--|------------|-----|--------|-------|
|  | 1          | 3.5 | 1.315  | 1.625 |
|  | 1.25       | 3.5 | 1.660  | 2     |
|  | 1.5        | 4   | 1.900  | 2.25  |
|  | 2          | 4   | 2.375  | 2.75  |
|  | 2.5        | 5   | 2.875  | 3.25  |
|  | 3          | 5.5 | 3.5    | 3.875 |
|  | 4          | 6   | 4.5    | 4.875 |
|  | 5          | 7   | 5.5625 | 6.125 |
|  | 6          | 8   | 6.625  | 7.125 |

| SEALING MEMBER MATERIALS |                             |                   |
|--------------------------|-----------------------------|-------------------|
|                          | MATERIAL                    | TEMPERATURE RANGE |
|                          | Buna-N                      | -60 to 225°F      |
|                          | Neoprene                    | -40 to 225°F      |
|                          | Butyl                       | -65 to 325°F      |
|                          | Hypalon                     | -20 to 300°F      |
| X                        | EPDM                        | -40 to 350°F      |
|                          | Viton                       | -20 to 400°F      |
|                          | Teflon                      | -20 to 450°F      |
|                          | Silicone                    | -100 to 500°F     |
|                          | FDA Approved White Neoprene | -40 to 225°F      |

|   | STYLE        | BODY                | INTERNALS           | PSI C.W.P. |
|---|--------------|---------------------|---------------------|------------|
|   | 5002-AL      | Aluminum            | Aluminum            | 50         |
|   | 5002-BR      | Brass               | Brass               | 150        |
|   | 5002-304     | 304 Stainless Steel | 304 Stainless Steel | 150        |
|   | 5002-316     | 316 Stainless Steel | 316 Stainless Steel | 150        |
| X | 5002-CLASS A | Steel               | Aluminum            | 150        |
|   | 5002-CLASS D | Steel               | Cadmium Plate Steel | 150        |