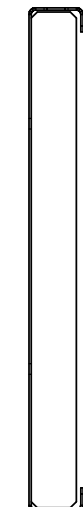
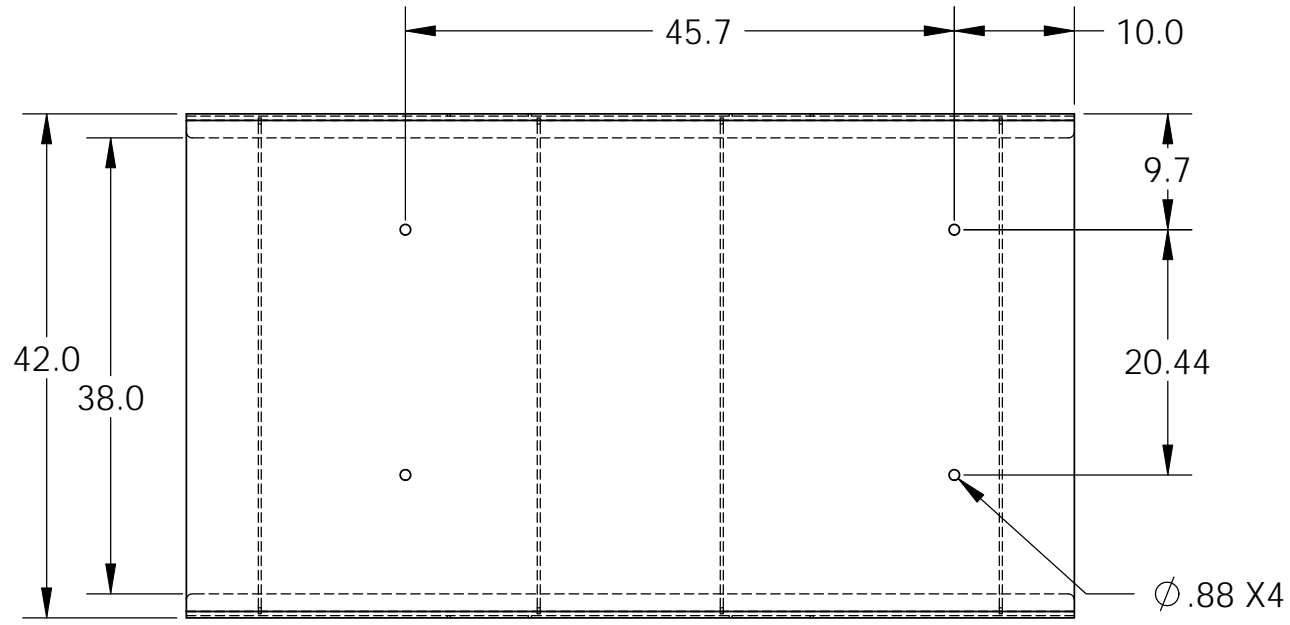
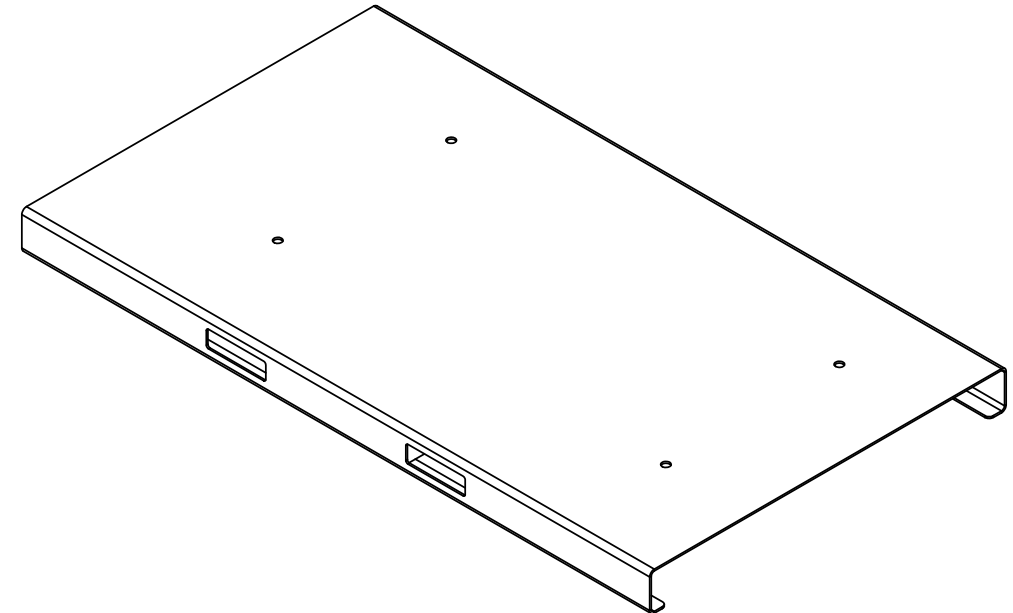
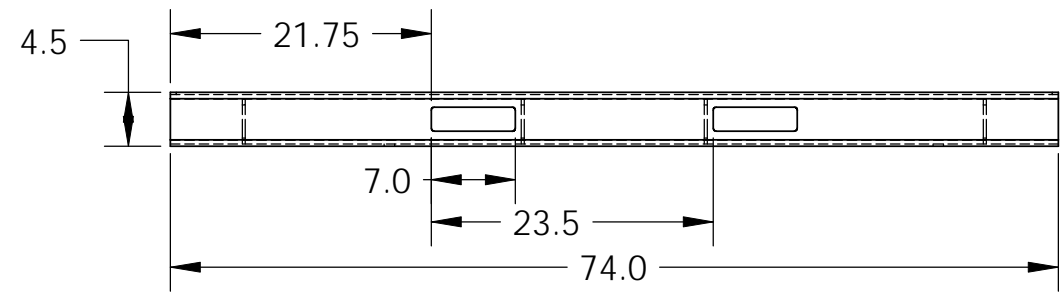



DWG. NO.
SK070AF001S

REVISIONS				
ZONE	REV.	DESCRIPTION	DATE	APPROVED
	A			
	B			
	C			



PROPRIETARY AND CONFIDENTIAL
THE INFORMATION CONTAINED IN THIS DRAWING IS THE SOLE PROPERTY OF REP Inc. ANY REPRODUCTION IN PART OR AS A WHOLE WITHOUT THE WRITTEN PERMISSION OF REP Inc. IS PROHIBITED.

		UNLESS OTHERWISE SPECIFIED:		DATE	NAME	 REP Inc. 2405 Murphy Blvd. Gainesville, GA 30504 800-536-9933
		DIMENSIONS ARE IN INCHES TOLERANCES: FRACTIONAL ± ANGULAR: MACH ± BEND ± TWO PLACE DECIMAL ± THREE PLACE DECIMAL ±		DRAWN	3-13-06	
		INTERPRET GEOMETRIC TOLERANCING PER:		CHECKED		TITLE: SKID WELDMENT 4.5"X42"X74"
		MATERIAL		ENG APPR.		
		FINISH --		MFG APPR.		
NEXT ASSY	USED ON	WEIGHT: 249.53		Q.A.		SIZE B DWG. NO. SK070AF001S REV
APPLICATION				COMMENTS: THICKNESS:		SCALE: 1:16 SHEET 1 OF 1