

ROOTS® RAM™ DVJ WHISPAIR, frames 406J, 412J & 616J

# RAM™ DVJ WHISPAIR™ Dry Vacuum Exhausters



## Design and Construction Features

- Single stage operation to 27" HG
- No valves, vanes or Teflon rings to wear
- Alloy steel timing gears
- Cylindrical roller bearings
- Piston ring air seals
- Lip-type oil seals (optional mechanical seal)
- Splash oil lubrication
- Horizontal and vertical configurations available

**ROOTS® RAM™-DVJ WHISPAIR™ dry exhausters have an exclusive discharge jet plenum design which allows cool, atmospheric air to flow into the cylinder. This unique design permits continuous operation at vacuum levels to blank-off with a single stage unit.**

## Basic dry vacuum pump description

Standard dry vacuum exhausters are limited to approximately 16" Hg vacuum because operation at higher vacuum levels can cause extreme discharge temperatures resulting in casing and impeller distortion and possible failure. The RAM™ vacuum exhauster's integral cooling design eliminates the problems caused by high discharge temperatures at vacuum levels beyond 16"Hg.

The basic model is designed using integral-shaft ductile iron impellers with an involute profile. The casing and headplates are grey iron, while the drive end cover and gear cover are aluminium. Carburized and ground alloy steel spur timing gears are taper mounted on the shafts, secured with a locknut. Cylindrical roller bearings are splash lubricated at both the gear end and the drive end.

Piston rings reduce air leakage through the head-plate bores and lip-type oil seals prevent lubricants from entering the air chamber. Units can be equipped with mechanical seals for gas applications.

All units are designed with rugged steel mounting feet which permit in-field adaptability to either vertical or horizontal installation requirements.

ROOTS® DVJ WHISPAIR™ exhausters can be arranged to operate in two and three stage systems to achieve vacuum levels down to 1 Torr.

## Warranty period

Twelve (12) months from date of original unit start-up or 18 months from date of original shipment, whichever occurs first.

## Operating principle



### Position 1

Incoming air is trapped between the impellers. Simultaneously, pressurized air is being discharged.



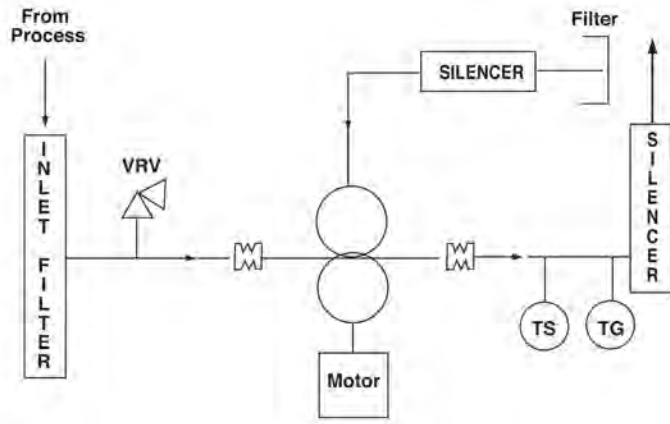
### Position 2

As the upper impeller passes the jet plenum, cooled, pressurized air flows into the space between the impeller and cylinder. This cools trapped air, to control thermal growth allowing higher discharge pressures.



### Position 3

The trapped air is then moved into the discharge flange (left). Backflow is reduced, resulting in lower operating noise level and reduced shock loading on the impellers.

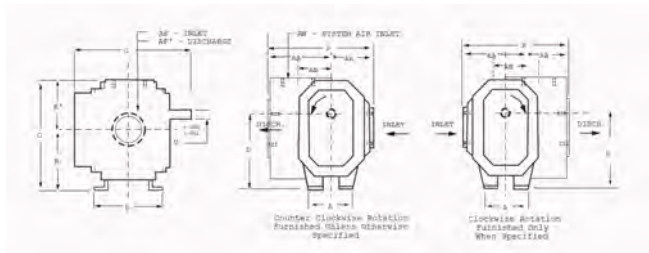


For further information contact:

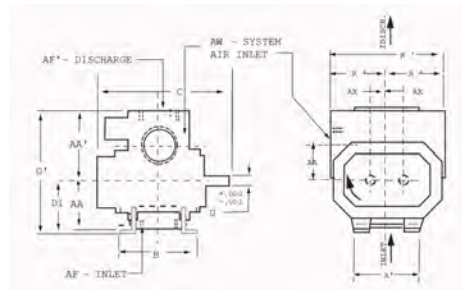
**ROOTS**  
900 W. Mount Street,  
Connersville, Indiana, 47331  
USA

Tel: +1 765 827 9200  
Web: www.RootsBlower.com

Vertical configuration



Horizontal configuration



Dimensional table

Frame Size	A	A'	B	C	Drive Shaft Location		O	O'	P	P'	R	R'	U	Keyway	AA	AA'	AB	AF	AF'	AW	AX	Approx. Net Wgt (lbs.)
					D	D'																
406 DVJ	8	11	10.75	20.5	11.25	7.5	16.38	18	17.75	14.75	9	7.38	1.5	.375 x .188	7.25	10.5	6.75	4 NPT	5 NPT	4 NPT	2.25	365
412 DVJ	8	11	16.75	26.5	11.25	7.5	16.63	19.25	17.75	15.25	9	7.63	1.5	.375 x .188	6	11.75	6.5	6 FLG	6 FLG	5 FLG	2.25	575
616 DVJ	10	16	21.44	32.5	15	9	21.63	22.75	21.25	19.25	12	9.63	2	.500 x .250	7.5	13.75	6.75	8 FLG	10 FLG	8 FLG	3	975

Notes: 1. All dimensions are in inches. 2. Weights are in pounds, and are approximate.

Performance Table

Frame Size	Speed RPM	Max. Free Air CFM	12" HGV		16" HGV		20" HGV		24" HGV		27" HGV	
			CFM	BHP	CFM	BHP	CFM	BHP	CFM	BHP	CFM	BHP
406 DVJ	2320	668	266	10.3	229	13.5	178	16.7	80	20		22.4
	2695		329	12.2	292	15.9	241	19.6	143	23.2		26
	3564		474	16.7	437	21.5	386	26.2	288	31	47	34.5
	4000		547	19.2	510	24.4	459	29.7	361	34.9	120	38.8
412 DVJ	2320	1332	531	20.2	457	26.7	355	33.2	160	39.7		44.5
	2695		656	23.7	581	31.2	480	38.7	285	46.2		51.8
	3564		945	32	871	41.7	769	51.5	574	61.3	94	68.6
	4000		1091	36.3	1016	47.2	914	58.1	719	68.9	239	77.1
616 DVJ	1750	2367	1016	35.8	903	47.5	750	59.1	455	70.8		79.6
	2124		1311	43.7	1198	57.8	1045	71.9	750	86	24	96.6
	2437		1558	50.5	1445	66.6	1292	82.7	997	98.8	271	110.9
	2860		1892	59.8	1779	78.6	1625	97.4	1331	116.2	605	130.3
	3000		2002	63	1889	82.6	1736	102.3	1441	121.9	715	136.7

Notes: 1. Vacuum ratings bases on inlet and jet air at standard temperature of 68°F, discharge and jet pressure of 30" HGV and specific gravity of 1.0.  
2. Refer to Factory for performance guarantee above 24" HGV.

\* Denotes blank-off.