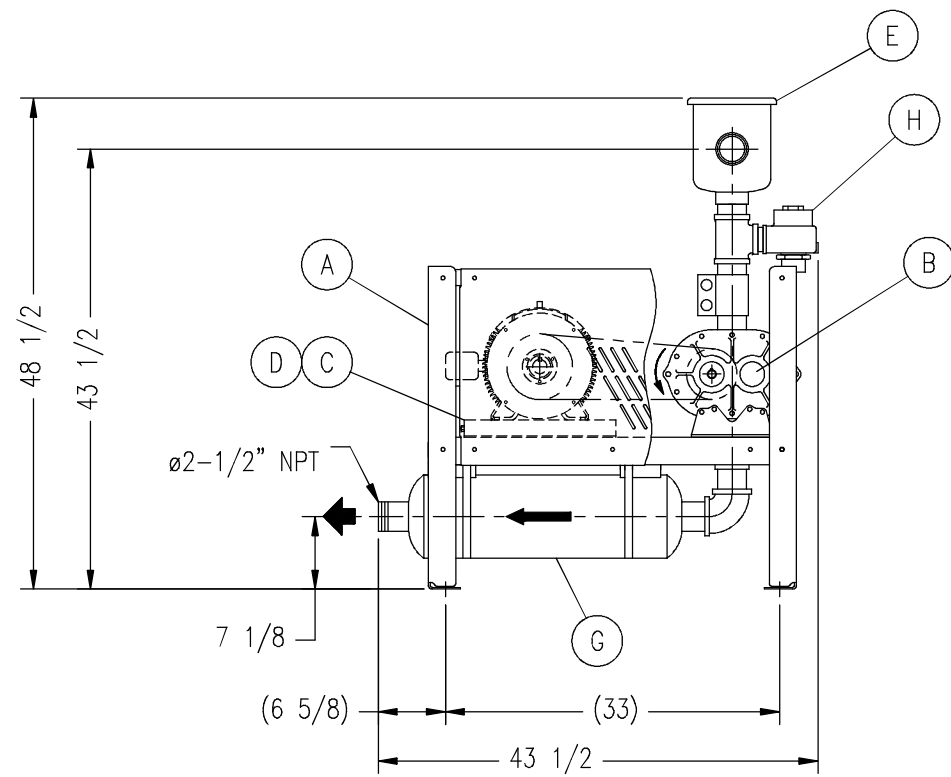



PLAN VIEW



ELEVATION VIEW

ITEM	QTY	PART NO.	DESCRIPTION	EXT	UM	MATL NO.
A	1	50107	BASE WELDMENT			
B	1	21024	BLOWER, ROOTS, 45 URAI-LHC			
C	1	54545	MOTOR, AC, 7.5 HP, 1800 RPM, TEFC			
D	1	54599	BASE, MOTOR, 213T			
E	1	56543	FILTER, SOLBERG, CSL-850-250HC			
F	1	55197	VAC GAUGE ASSY, 30"-0"HGG, 2-1/2" DIA			
G	1	22125	SILENCER, SD=2.5, 2.5" MPT, IN LINE			
H	1	31175.G	VALVE, RELIEF, 2" SET @ 11" HGG			

- NOTE:
1. ALL DIMENSIONS ARE APPROXIMATE AND SUBJECT TO CHANGE.
 2. CERTIFIED DRAWINGS AVAILABLE UPON REQUEST.
 3. DIMENSIONS ARE IN INCHES, BRACKETED [] DIMENSIONS ARE MILLIMETERS.
 4. UNLESS OTHERWISE NOTED, DIMENSIONS ARE ± 1/4".
 5. CUSTOMER MUST SUPPORT OUTLET CONNECTION.
- △ SEE SEPARATE BILL FOR DRIVE INFORMATION.

REV	DESCRIPTION	DATE	BY
		ROTATING ENGINEERED PRODUCTS, INC. 2405 MURPHY BOULEVARD GAINESVILLE, GA. 30504 TOLL FREE: (800) 536-9933, (770) 538-0020, FAX: (770) 538-0022	
SCALE: NTS		TITLE:	
DRAWN BY: BB		DATE: 3-4-13	
CHECKED BY:		DATE:	
APPD. BY:		DATE:	
MODEL/CUSTOMER		DRAWING NO. 75073	SHEET NO. 1 OF 1
		REV. E/E	