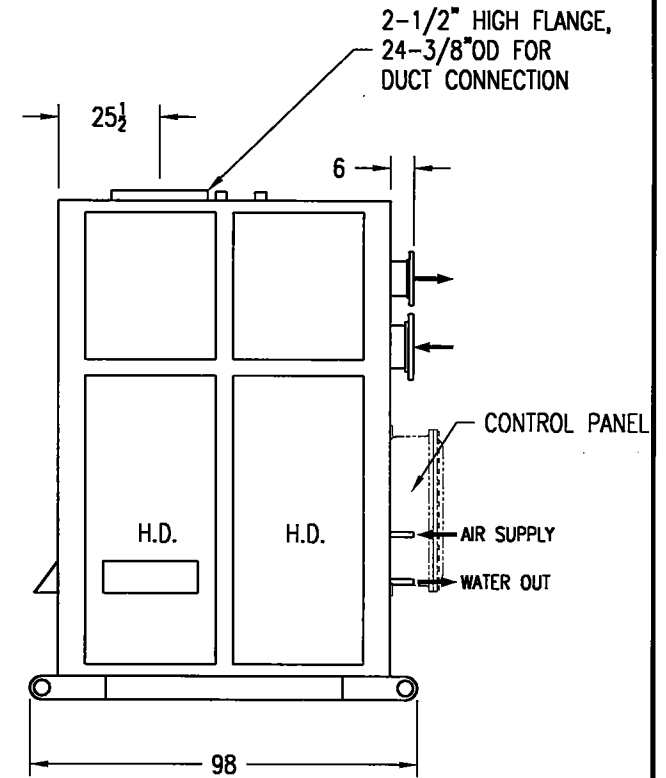


H.D. - DENOTES HINGED DOOR



ESTIMATED WEIGHTS:
EACH FULL PANEL: 105 LB
EACH HALF PANEL: 53 LB
TOTAL PACKAGE: 15,600 LB

NOTE:

1. DIMENSIONS ARE IN INCHES, BRACKETED [] DIMENSIONS ARE MILLIMETERS
2. UNLESS OTHERWISE NOTED, DIMENSIONS ARE $\pm 1/4"$
3. CUSTOMER MUST SUPPORT INLET AND OUTLET CONNECTIONS
4. SEE SEPARATE BILL FOR DRIVE INFORMATION
5. THE DISCHARGE DUCTING FOR THE EXHAUST FAN MUST NOT EXCEED $1/4"$ SP

BOX IS BLUE IF ORIGINAL

B	REVISED PER CUSTOMER COMMENTS	7-23-97	CH
A	INLET WAS 12", 89-3/8 WAS 81-1/2 (PAGE 5)	7-9-97	CH
REV	DESCRIPTION	DATE	BY
REP INC.		ROTATING ENGINEERED PRODUCTS, INC. 2405 MURPHY BOULEVARD GAINESVILLE, GA. 30504 TOLL FREE: (800) 536-9933, (770) 538-0020, FAX: (770) 538-0022	
SCALE:	1/4" = 1'-0"	TITLE: ENVIRONMENTAL PACKAGE, GARDNER-DENVER 9CDL-18, 404T FRAME, ENCLOSURE DIMENSIONAL DRAWING, FRONT & SIDE	
DRAWN BY:	C HUFF	DATE:	4-24-97
CHECKED BY:		DATE:	
DATE:	7-24-97	MODEL/CUSTOMER	DRAWING NO. BVO22A0000
			SHEET NO. 1 OF 7
			REV. B