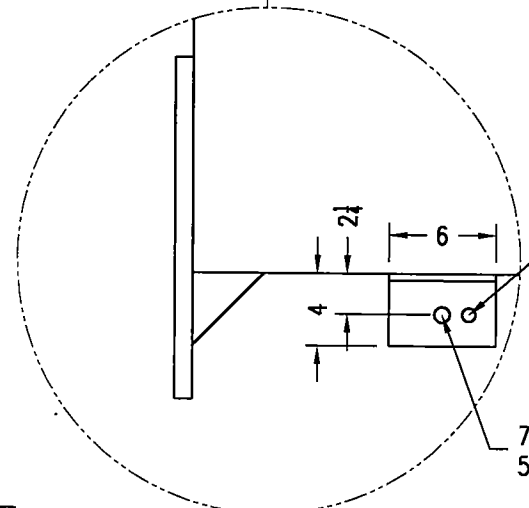
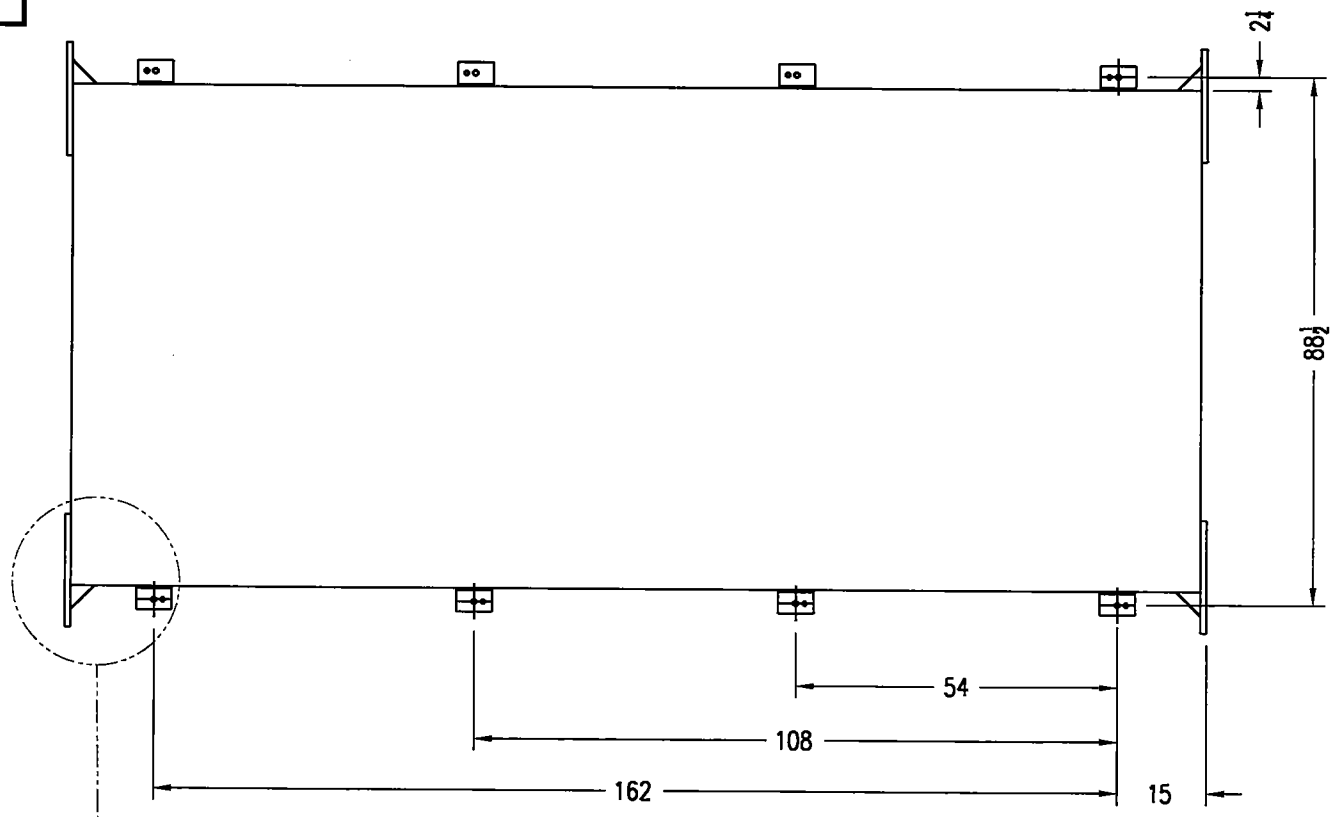



DRAWING NUMBER  
**BV022A0000**



TAPPED FOR 3/4-10 X 3  
 JACKING BOLT (PROVIDED)

7/8" THRU HOLE FOR RECOMMENDED  
 5/8-11 X 4" ANCHOR BOLT

BOX IS BLUE IF ORIGINAL

REV	DESCRIPTION	DATE	BY
		ROTATING ENGINEERED PRODUCTS, INC. 2405 MURPHY BOULEVARD GAINESVILLE, GA. 30504 TOLL FREE: (800) 536-9933, (770) 538-0020, FAX: (770) 538-0022	
SCALE: 3/8" = 1'-0"		TITLE:	
DRAWN BY: C HUFF		DATE: 4-24-97	
CHECKED BY:		DATE:	
APPR. BY: ACH		DATE: 7-24-97	
MODEL/CUSTOMER		DRAWING NO.	SHEET NO. REV.
		BV022A0000	6 OF 7 B

**ENVIRONMENTAL PACKAGE,  
 GARDNER-DENVER 9CDL-18, 404T FRAME,  
 MOUNTING HOLE LOCATION**