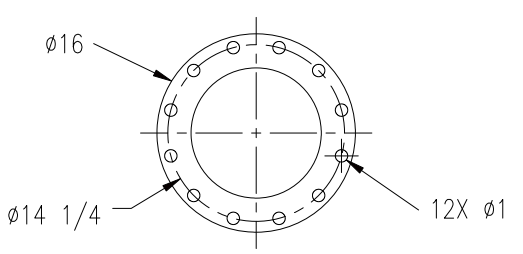
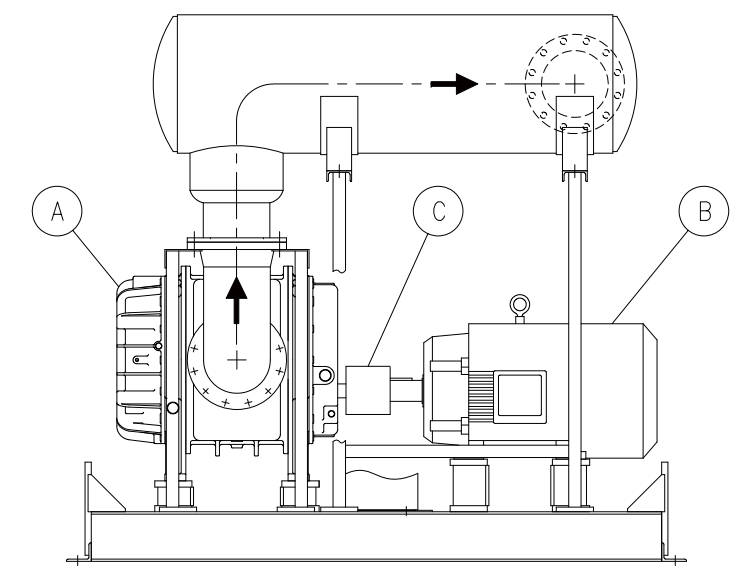


INLET FLANGE
8" ANSI DRILLED FF FLANGE, 11/16" THICK
SCALE: 2/1



DISCHARGE FLANGE
10" ANSI DRILLED FF FLANGE, 11/16" THICK
SCALE: 2/1

ITEM	QTY	PART NO.	DESCRIPTION	EXT	UM	MATL NO.
A	1	BLW1016RASJBLNO	BLOWER, ROOTS, 1016 RASJ-BHRD			
B	1	MTR207	MOTOR, AC, 200 HP, 1800 RPM, TEFC			
C	1		COUPLING, MOTOR			
D	1	SK047 B 0000	SKID WELDMENT			
E	1	SK055 B 0000	SEPARATOR WELDMENT			
F	1	FLT193	FILTER, INLINE, STODDARD, F65-12V			
G	1	SP033 A 0000	SPOOL PIECE			
H	1	JNT058	JOINT, EXPANSION, 10" PIPE			
J	1	JNT059	JOINT, EXPANSION, 12" PIPE			
K	1	EL003 A T005	ELBOW WELDMENT			
L	1	SIL209	SILENCER, EXTERNAL, DRS-S-10			
M	2	CPL093	COUPLING, COMPRESSION, 10"			
N	1	PW031 A 0000	PIPE WELDMENT			
P	1	XGR013	EXCHANGER, HEAT, AIR-AIR			
R	1	VLV045A	VALVE, BUTTERFLY, 6", LUG			
S	1	FLT051A	FILTER, SIL, UNIVERSAL, CCS-6, FLG			
T	1	PMP023	PUMP, CENTRIFUGAL, SELF PRIME			
W	3	VRSPK30P04	VALVE, RELIEF, PRESSURE, 3" SET 4 PSI			
Y	3	VRSVK30P14	VALVE, RELIEF, VACUUM, 3" SET 14" HGG			
AA	1	SR027 A T013	SEPARATOR LEVEL CONTROL			
BB	1	SR027 A T014	SEPARATOR LEVEL CONTROL			
CC	1	SR028 A T011	SIGHTGLASS ASSEMBLY			
DD	1	SR029 A T009	SEPARATOR PLUMBING ASSEMBLY			
EE	1	GD103 A 0000	GUARD, MOTOR/BLOWER COUPLING			



VIEW A-A

REV	DESCRIPTION	DATE	BY
SCALE: 1/32		TITLE: BLOWER PRESSURE PACKAGE ROOTS 1016RAS-JV, 200HP TEFC SEPARATOR & HEAT EXCHANGER	
DRAWN BY: AM	DATE: 6-7-99	MODEL/CUSTOMER	SHEET NO. REV.
APPD. BY:	DATE:	DRAWING NO. BV044 B 0000	1 OF 2