



UNIVERSAL SILENCER

A FLEETGUARD/NELSON COMPANY
P.O. Box 411, Stoughton, Wisconsin 53589
608-873-4272 Fax 608-873-4298

STANDARD CCF-1 1/4 INTAKE FILTER

DATE 9-24-98

SHEET OF

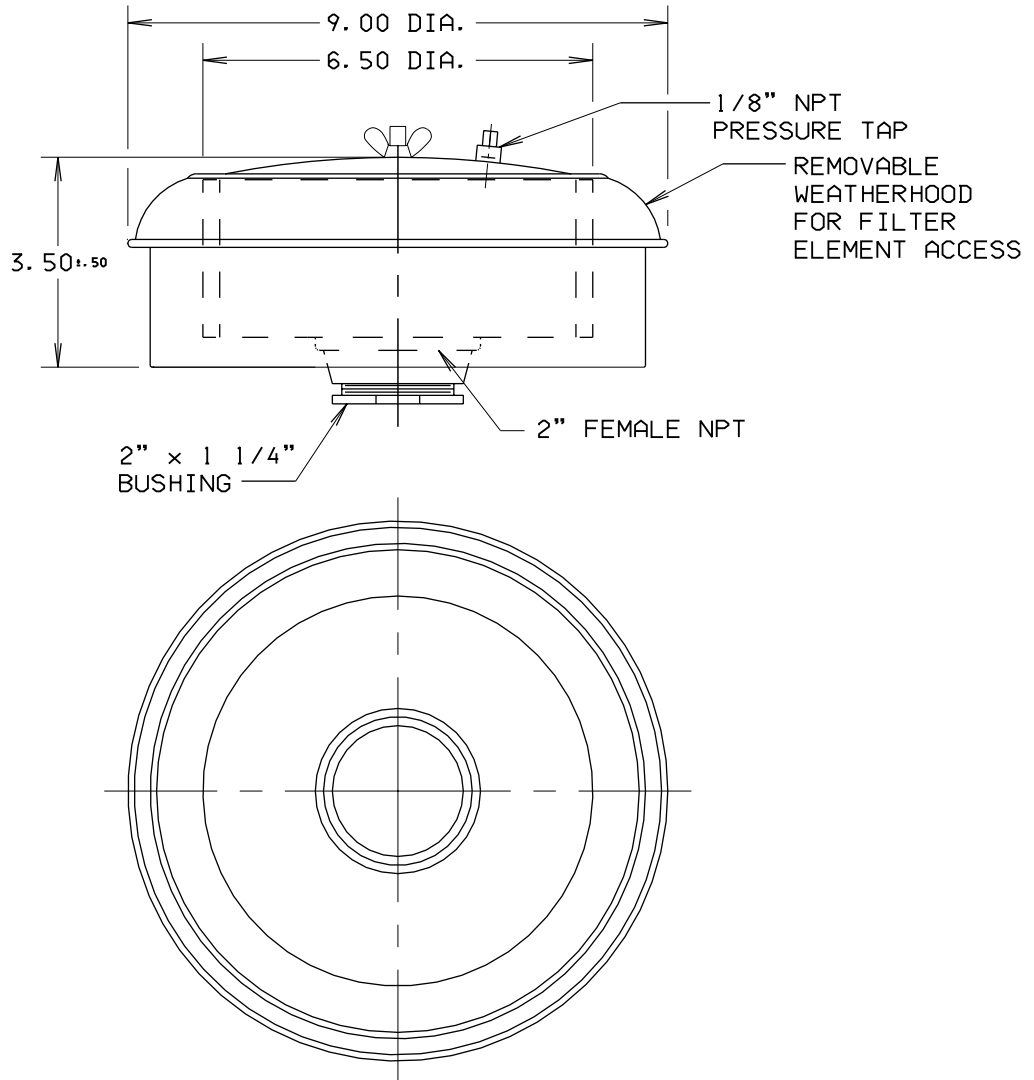
SCALE NTS

NO.

REVISION

DRAWN

APP'D



NOTES:

1. RECOMMENDED FLOW CAPACITY: 60 CFM MAX.

DIMENSIONAL DRAWING NO.
34-L21-TTP

FILTER ELEMENTS INCLUDED (APPLIED ONLY TO ORDER FOR WHICH DRAWING IS CERTIFIED)			DIMENSIONS CERTIFIED FOR:	
FILTER TYPE AND PART NUMBER	SINGLE STAGE	DUAL STAGE		P. O. NO:
		PRE-FILTER	FINAL FILTER	
CC-2P (PAPER) 81-0471	1			BY
				DATE

APPROX WT	9	MATERIAL	STEEL	DRAWN	TAH	DIMENSIONAL DRAWING NO.	REV.
FINISH	88-1085 BLUE ENAMEL	CHECK	MB 9-30-98	34-L21-TTP		0	0