



# UNIVERSAL SILENCER

A FLEETGUARD/NELSON COMPANY  
 P.O. Box 411, Stoughton, Wisconsin 53589  
 608-873-4272 Fax 608-873-4298

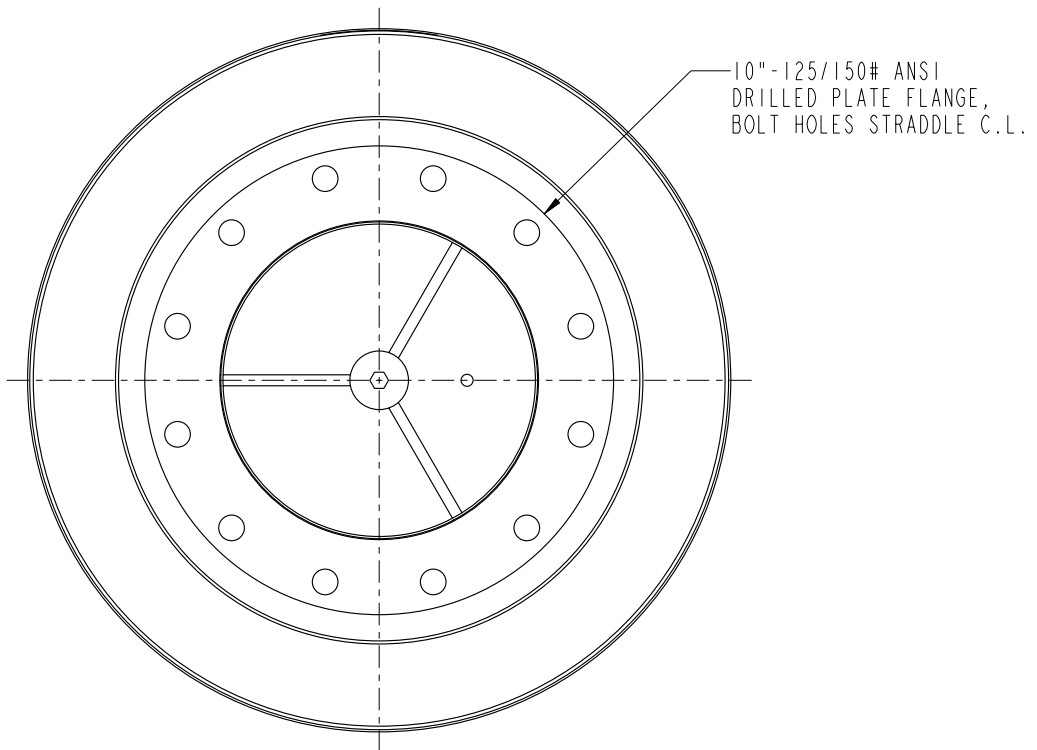
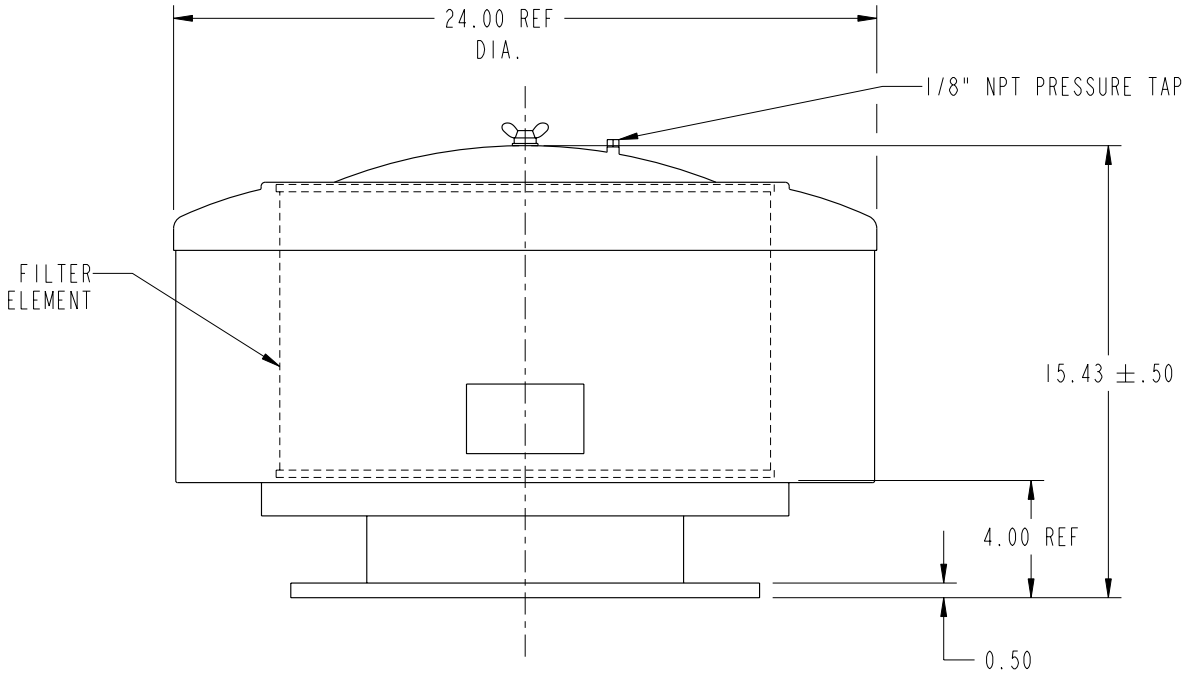
## STANDARD CCF-10 INTAKE FILTER

DATE 03-14-01

SHEET OF

SCALE 0.140"=1"

NO.	1
REVISION	REDRAWN ON PRO/ENGINEER.
DY	03-14-01
MB	04-05-01
DRAWN	APP'D



NOTES:  
 1. NOMINAL CAPACITY:  
 3,000 CFM AT FLOW VELOCITY  
 OF APPROX. 5,500 FT/MIN.

This document contains CONFIDENTIAL and PROPRIETARY information of Universal Silencer, a Division of Nelson Industries, Inc. Any disclosure or unauthorized use without the express written consent of Universal Silencer is PROHIBITED.

DIMENSIONAL DRAWING NO. 34-L10-AAP

PRO/E

FILTER ELEMENTS INCLUDED (APPLIED ONLY TO ORDER FOR WHICH DRAWING IS CERTIFIED)				DIMENSIONS CERTIFIED FOR:	
	SINGLE STAGE	DUAL STAGE			
		PRE-FILTER	FINAL FILTER		
CC-12P (PAPER) 81-1163	I			P.O. NO:	
				U.S. S.O. NO.:	
				BY:	
				DATE:	
APPROX WT 57 LBS.	MATERIAL STEEL	DRAWN DY	DIMENSIONAL DRAWING NO.		REV.
FINISH 88-1085 BLUE ENAMEL		CHECK MB 04-05-01	34-L10-AAP		I