



UNIVERSAL SILENCER

A FLEETGUARD/NELSON COMPANY
P.O. Box 411, Stoughton, Wisconsin 53589
608-873-4272 Fax 608-873-4298

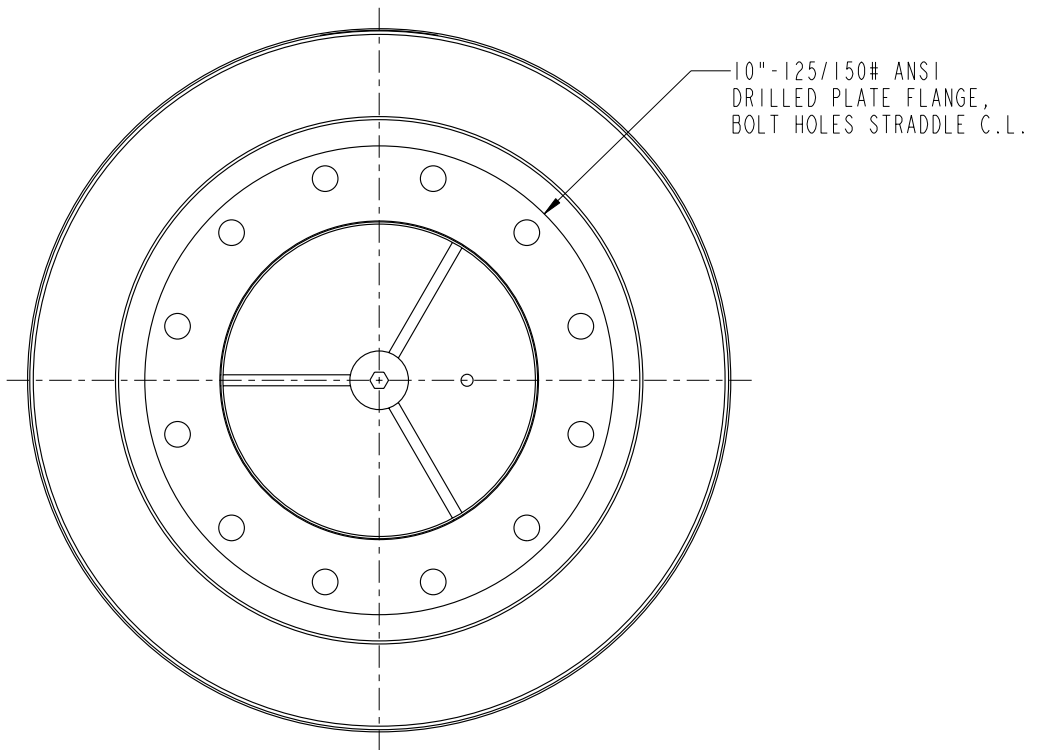
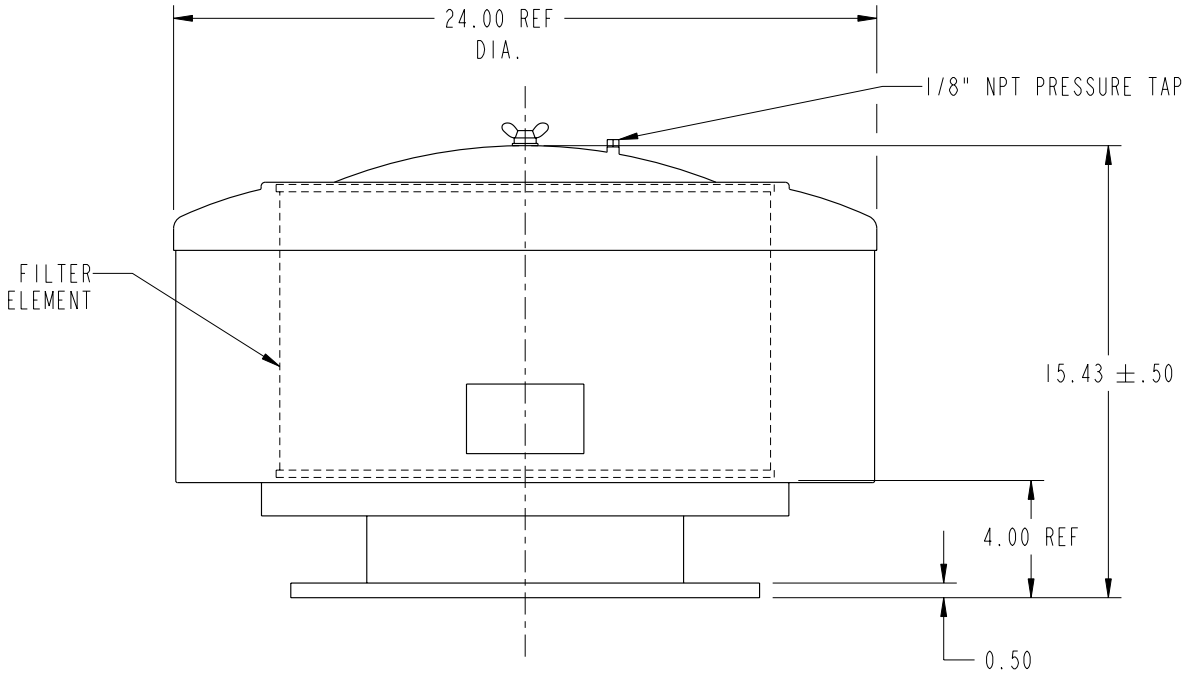
STANDARD CCF-10 INTAKE FILTER

DATE 03-14-01

SHEET OF

SCALE 0.140"=1"

NO.	1
REVISION	REDRAWN ON PRO/ENGINEER.
DY	03-14-01
MB	04-05-01
APP'D	



NOTES:
1. NOMINAL CAPACITY:
3,000 CFM AT FLOW VELOCITY
OF APPROX. 5,500 FT/MIN.

This document contains CONFIDENTIAL and PROPRIETARY information of Universal Silencer, a Division of Nelson Industries, Inc. Any disclosure or unauthorized use without the express written consent of Universal Silencer is PROHIBITED.

DIMENSIONAL DRAWING NO. 34-L10-AAW

PRO/E

FILTER ELEMETS INCLUDED (APPLIED ONLY TO ORDER FOR WHICH DRAWING IS CERTIFIED) DIMENSIONS CERTIFIED FOR:

	SINGLE STAGE	DUAL STAGE		P.O. NO:
		PRE-FILTER	FINAL FILTER	
CC-12W (WIRE) 81-1200	I			BY:
				DATE:

APPROX WT 68 LBS.	MATERIAL STEEL	DRAWN DY	DIMENSIONAL DRAWING NO. 34-L10-AAW	REV. 1
FINISH 88-1085 BLUE ENAMEL		CHECK MB 04-05-01		