



# UNIVERSAL SILENCER

A FLEETGUARD/NELSON COMPANY  
P.O. Box 411, Stoughton, Wisconsin 53589  
608-873-4272 Fax 608-873-4298

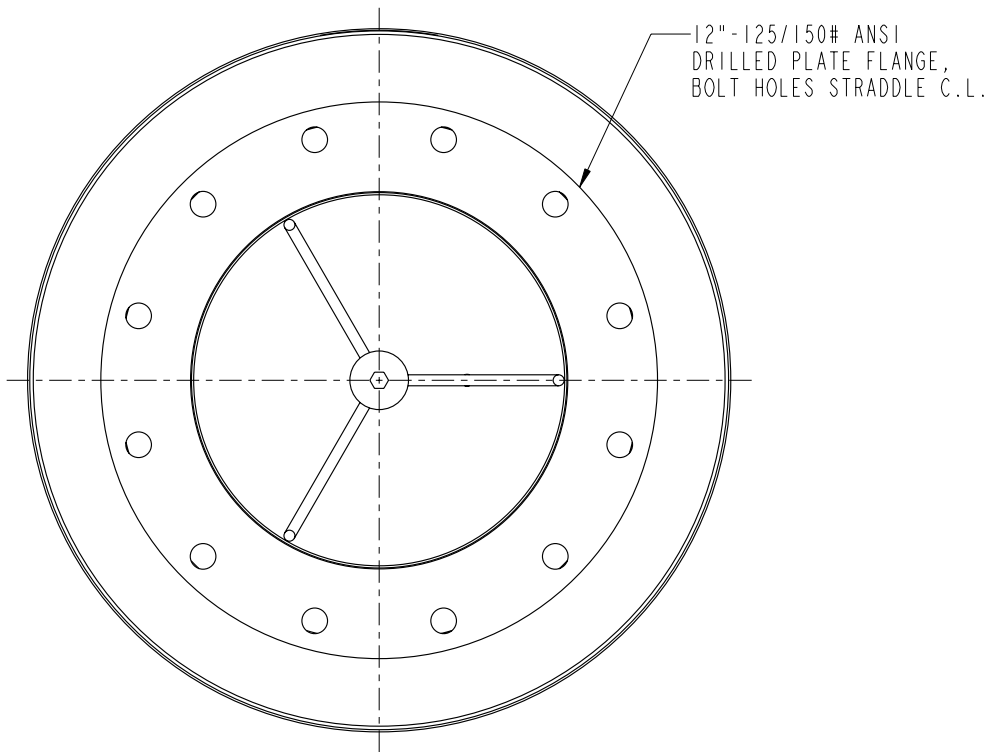
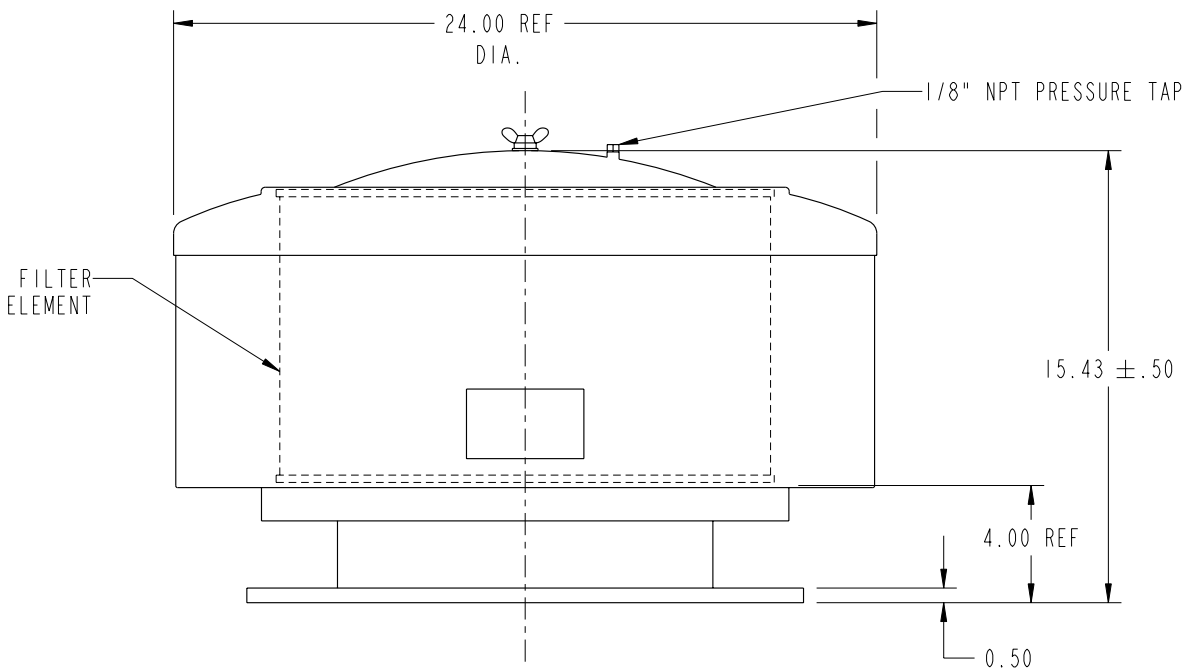
## STANDARD CCF-12 INTAKE FILTER

DATE 03-14-01

SHEET OF

SCALE 0.140"=1"

NO.	1
REVISION	REDRAWN ON PRO/ENGINEER.
DY	03-14-01
MB	04-05-01
APP'D	



NOTES:  
1. NOMINAL CAPACITY:  
4,300 CFM AT FLOW VELOCITY  
OF APPROX. 5,500 FT/MIN.

This document contains CONFIDENTIAL and PROPRIETARY information of Universal Silencer, A Division of Nelson Industries, Inc. Any disclosure or unauthorized use without the express written consent of Universal Silencer is PROHIBITED.

DIMENSIONAL DRAWING NO. 34-L12-AAW

PRO/E

FILTER ELEMETS INCLUDED (APPLIED ONLY TO ORDER FOR WHICH DRAWING IS CERTIFIED)

DIMENSIONS CERTIFIED FOR:

	SINGLE STAGE	DUAL STAGE	
		PRE-FILTER	FINAL FILTER
CC-12W (WIRE) 81-1200	I		

P.O. NO:	
U.S. S.O. NO.:	
BY:	
DATE:	

REV. 1	APPROX WT 75 LBS.	MATERIAL STEEL	DRAWN DY	DIMENSIONAL DRAWING NO. 34-L12-AAW	REV. 1
	FINISH 88-1085 BLUE ENAMEL		CHECK MB 04-05-01		