



UNIVERSAL SILENCER
 A FLEETGUARD/NELSON COMPANY
 P.O. Box 411, Stoughton, Wisconsin 53589
 608-873-4272 Fax 608-873-4298

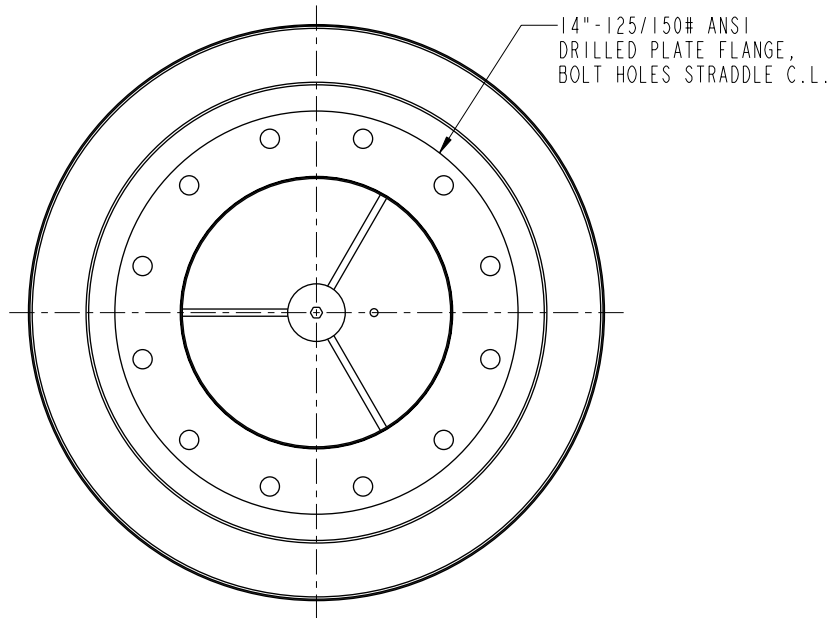
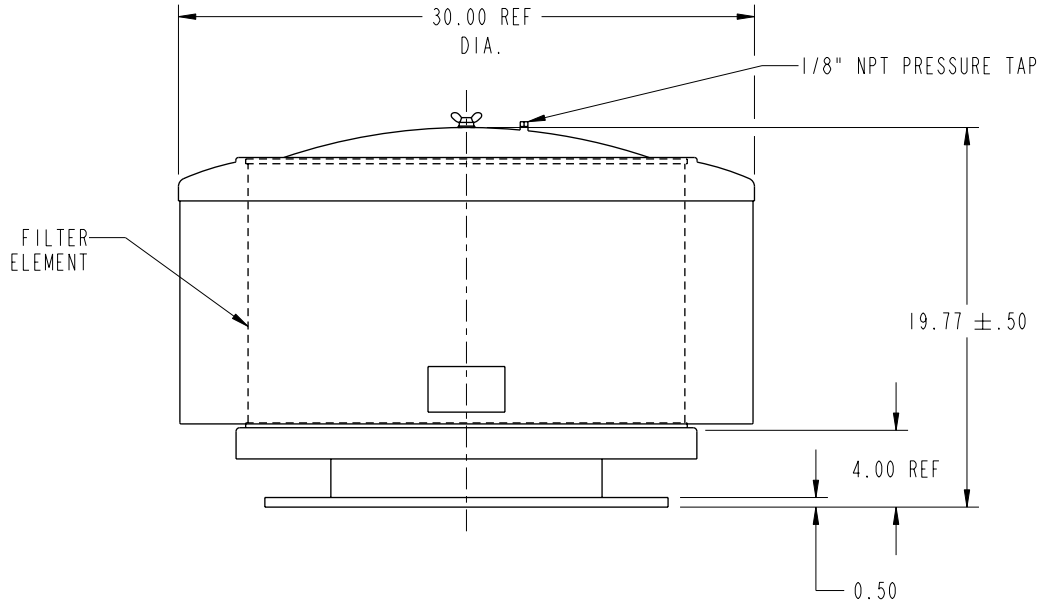
STANDARD CCF-14
 INTAKE FILTER

DATE 03-14-01

SHEET OF

SCALE 0.100"=1"

NO.	1	REDRAWN ON PRO/ENGINEER.	DY	MB
REVISION			03-14-01	04-05-01
			DRAWN	APP'D



NOTES:
 1. NOMINAL CAPACITY:
 5,900 CFM AT FLOW VELOCITY
 OF APPROX. 5,500 FT/MIN.

This document contains CONFIDENTIAL and PROPRIETARY information of Universal Silencer and its subsidiaries. It is intended for internal use only. Any unauthorized use without the express written consent of Universal Silencer is PROHIBITED.

DIMENSIONAL DRAWING NO.
 34-L14-AAP

PRO/E

FILTER ELEMENTS INCLUDED (APPLIED ONLY TO ORDER FOR WHICH DRAWING IS CERTIFIED)				DIMENSIONS CERTIFIED FOR:	
	SINGLE STAGE	DUAL STAGE			
		PRE-FILTER	FINAL FILTER		
CC-16P (PAPER) 81-1164	I			P.O. NO:	
				U.S. S.O. NO.:	
				BY:	
				DATE:	
APPROX WT 97 LBS.	MATERIAL STEEL	DRAWN DY	DIMENSIONAL DRAWING NO.		REV.
FINISH 88-1085 BLUE ENAMEL		CHECK MB 04-05-01	34-L14-AAP		I