



UNIVERSAL SILENCER

A FLEETGUARD/NELSON COMPANY
 P.O. Box 411, Stoughton, Wisconsin 53589
 608-873-4272 Fax 608-873-4298

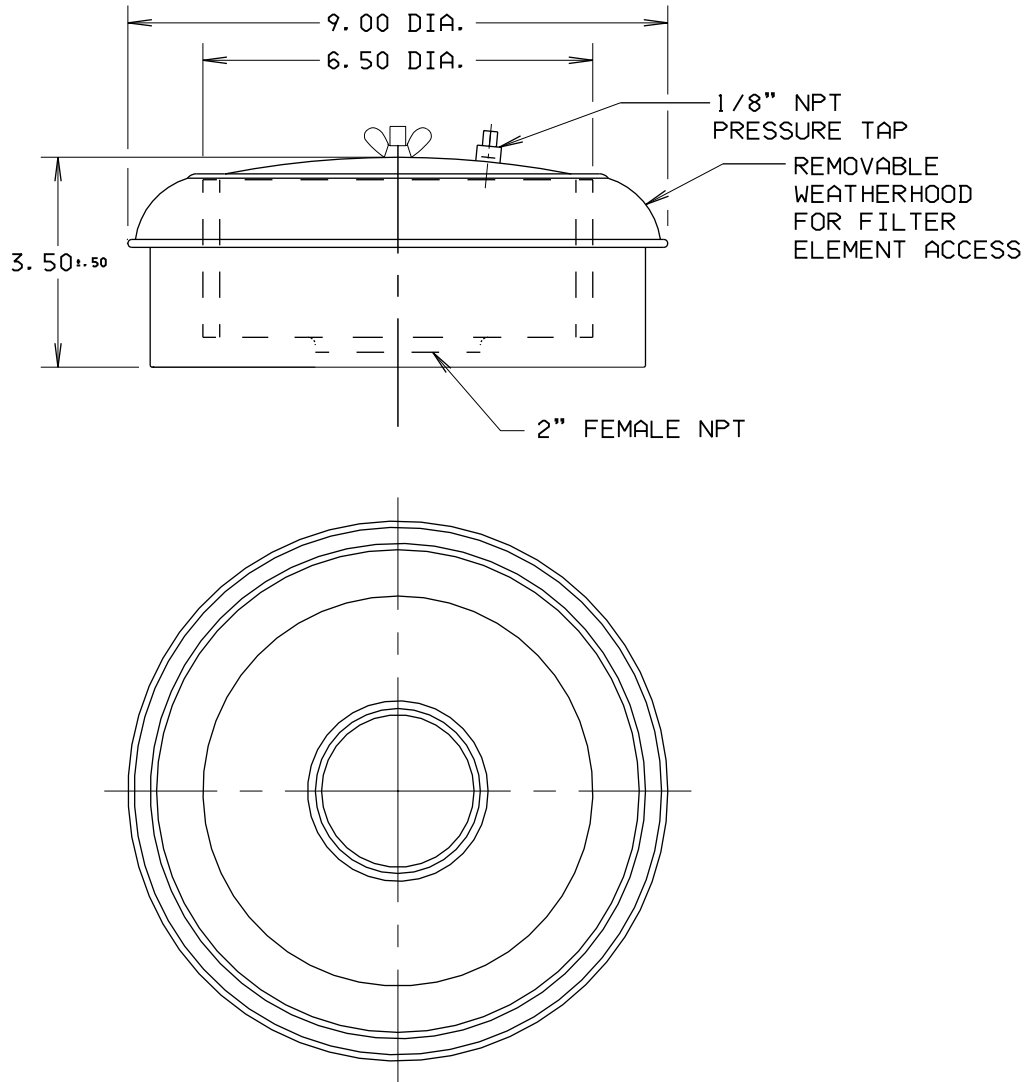
STANDARD CCF-2 INTAKE FILTER

DATE 9-24-98

SHEET OF

SCALE NTS

NO.
 REVISION
 DRAWN
 APP'D



NOTES:

1. RECOMMENDED FLOW CAPACITY: 120 CFM MAX.

DIMENSIONAL DRAWING NO.
34-L02-TTF

FILTER ELEMENTS INCLUDED (APPLIED ONLY TO ORDER FOR WHICH DRAWING IS CERTIFIED)			DIMENSIONS CERTIFIED FOR:	
FILTER TYPE AND PART NUMBER	SINGLE STAGE	DUAL STAGE		P. O. NO:
		PRE-FILTER	FINAL FILTER	
CC-2F (FELT) 81-1203	1			BY
				DATE

APPROX WT 8	MATERIAL STEEL	DRAWN TAH	DIMENSIONAL DRAWING NO.	REV.
FINISH 88-1085 BLUE ENAMEL	CHECK MB 9-30-98		34-L02-TTF	0