



UNIVERSAL SILENCER

A FLEETGUARD/NELSON COMPANY
P.O. Box 411, Stoughton, Wisconsin 53589
608-873-4272 Fax 608-873-4298

STANDARD CCF-2 INTAKE FILTER

DATE 9-24-98

SHEET OF

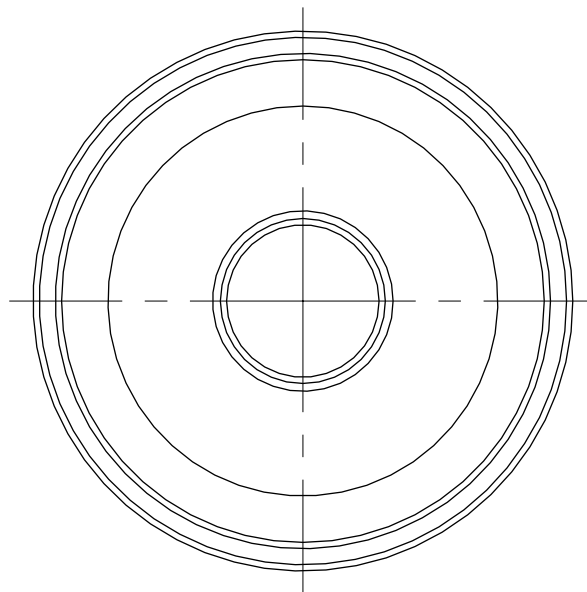
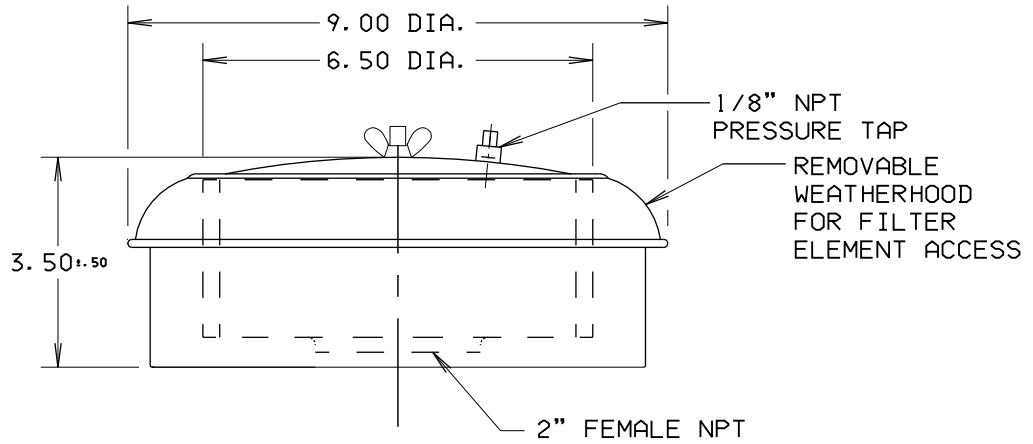
SCALE NTS

NO.

REVISION

DRAWN

APP'D



NOTES:

- RECOMMENDED FLOW CAPACITY: 120 CFM MAX.

DIMENSIONAL DRAWING NO.
34-L02-TTP

FILTER ELEMENTS INCLUDED (APPLIED ONLY TO ORDER FOR WHICH DRAWING IS CERTIFIED)

DIMENSIONS CERTIFIED FOR:

FILTER TYPE AND PART NUMBER	SINGLE STAGE	DUAL STAGE		P. O. NO:
		PRE-FILTER	FINAL FILTER	
CC-2P (PAPER) 81-0471	1			U. S. S. O. NO:
				BY
				DATE

REV. 0	APPROX WT 8	MATERIAL STEEL	DRAWN TAH	DIMENSIONAL DRAWING NO.	REV. 0
	FINISH 88-1085 BLUE ENAMEL	CHECK MB 9-30-98		34-L02-TTP	