



# UNIVERSAL SILENCER

A FLEETGUARD/NELSON COMPANY  
P.O. Box 411, Stoughton, Wisconsin 53589  
608-873-4272 Fax 608-873-4298

## STANDARD CCF-2 INTAKE FILTER

DATE 9-24-98

SHEET OF

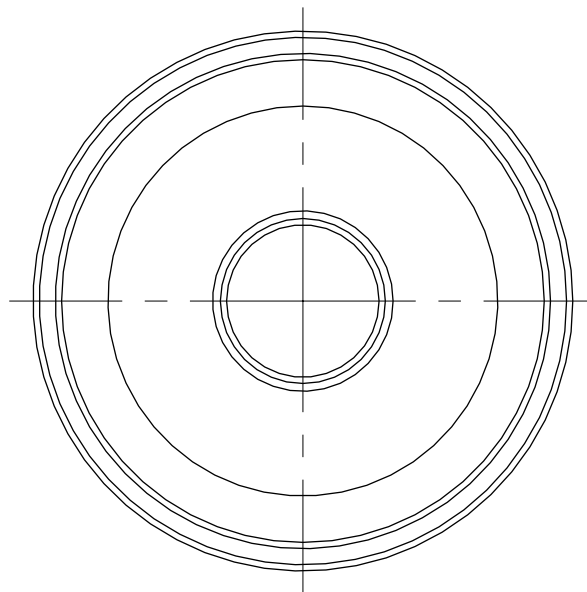
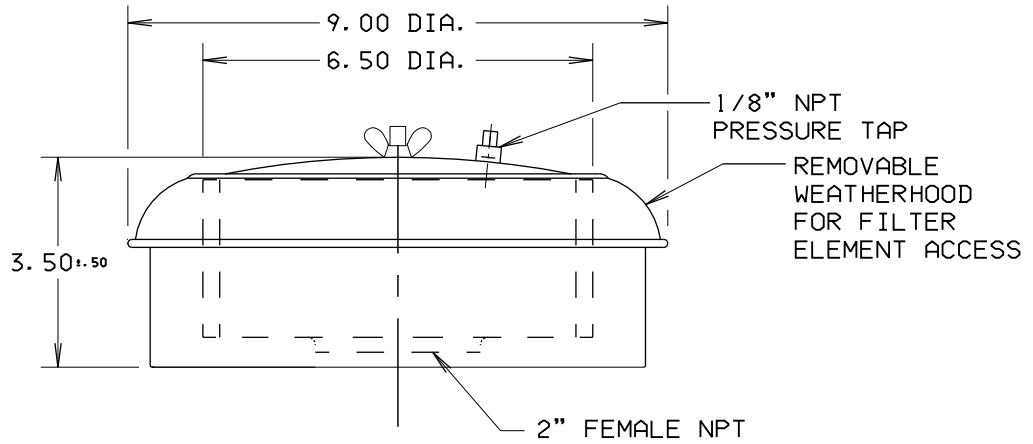
SCALE NTS

NO.

REVISION

DRAWN

APP'D



### NOTES:

- RECOMMENDED FLOW CAPACITY: 120 CFM MAX.

DIMENSIONAL DRAWING NO.  
**34-L02-TTW**

FILTER ELEMENTS INCLUDED (APPLIED ONLY TO ORDER FOR WHICH DRAWING IS CERTIFIED)

DIMENSIONS CERTIFIED FOR:

| FILTER TYPE AND PART NUMBER | SINGLE STAGE | DUAL STAGE |              |
|-----------------------------|--------------|------------|--------------|
|                             |              | PRE-FILTER | FINAL FILTER |
| CC-2W (WIRE MESH) 81-1036   | 1            |            |              |
|                             |              |            |              |
|                             |              |            |              |
|                             |              |            |              |

P.O. NO:

U.S. S.O. NO:

BY

DATE

APPROX WT 8

MATERIAL STEEL

DRAWN TAH

DIMENSIONAL DRAWING NO.

REV.

FINISH 88-1085 BLUE ENAMEL

CHECK MB 9-30-98

**34-L02-TTW**

**0**