



UNIVERSAL SILENCER

A FLEETGUARD/NELSON COMPANY
P.O. Box 411, Stoughton, Wisconsin 53589
608-873-4272 Fax 608-873-4298

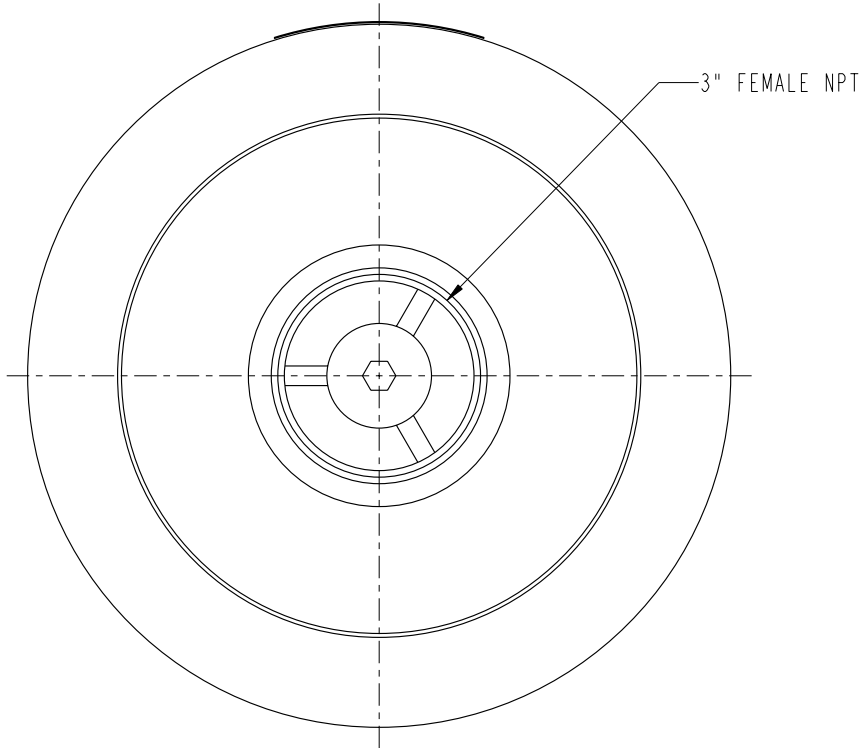
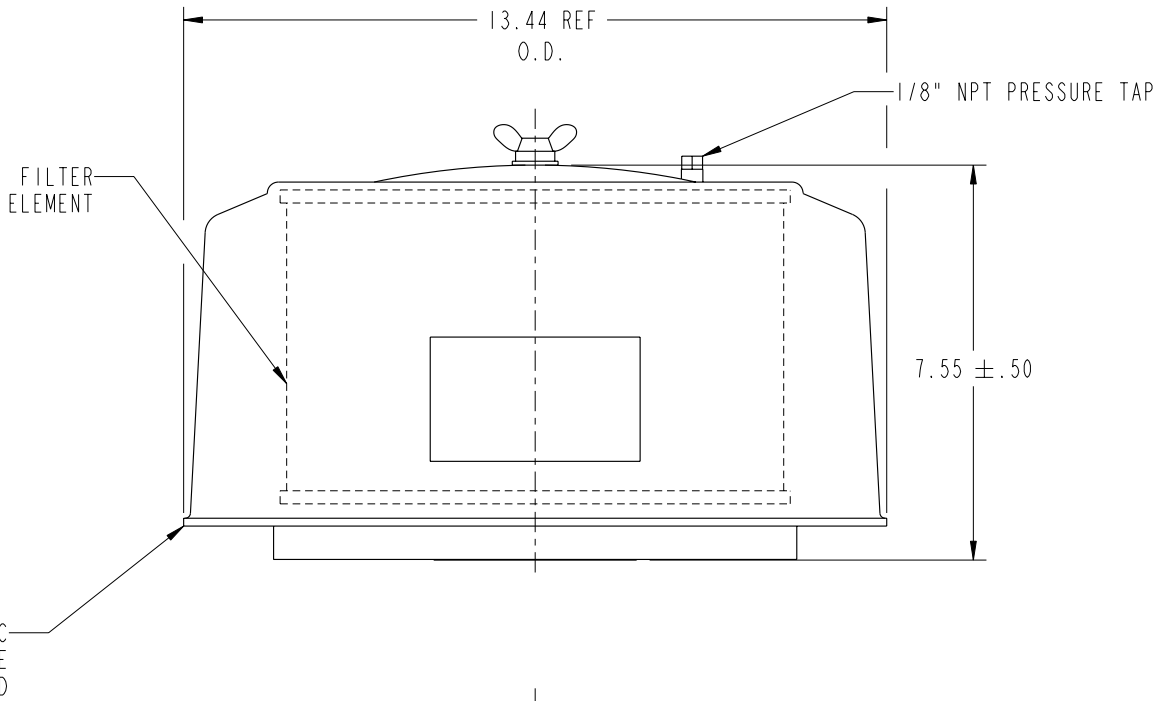
STANDARD CCF-3 INTAKE FILTER

DATE 03-05-01

SHEET OF

SCALE 0.250"=1"

NO.	1
REVISION	REDRAWN ON PRO/ENGINEER.
DY	03-05-01
MB	04-05-01
DRAWN	APP'D



NOTES:

1. NOMINAL CAPACITY:
275 CFM AT FLOW VELOCITY
OF APPROX. 5,500 FT/MIN.

2 MATERIAL AND FINISH
DESCRIPTIONS DO NOT
INCLUDE WEATHERHOODS.

This document contains CONFIDENTIAL and PROPRIETARY information of Universal Silencer, A Division of Nelson Industries, Inc. Any disclosure or unauthorized use without the express written consent of Universal Silencer is PROHIBITED.

DIMENSIONAL DRAWING NO.
34-L03-TTP

PRO/E

FILTER ELEMENTS INCLUDED (APPLIED ONLY TO ORDER
FOR WHICH DRAWING IS CERTIFIED)

DIMENSIONS CERTIFIED FOR:

SINGLE STAGE	DUAL STAGE		P.O. NO:
	PRE-FILTER	FINAL FILTER	
CC-4P (PAPER) 81-1063	1		BY:
			DATE:

APPROX WT	10 LBS.	MATERIAL	STEEL \triangle 2	DRAWN	DY	DIMENSIONAL DRAWING NO. 34-L03-TTP	REV. 1
FINISH	88-1085 BLUE ENAMEL \triangle 2	CHECK	MB 04-05-01				