



UNIVERSAL SILENCER

A FLEETGUARD/NELSON COMPANY
P.O. Box 411, Stoughton, Wisconsin 53589
608-873-4272 Fax 608-873-4298

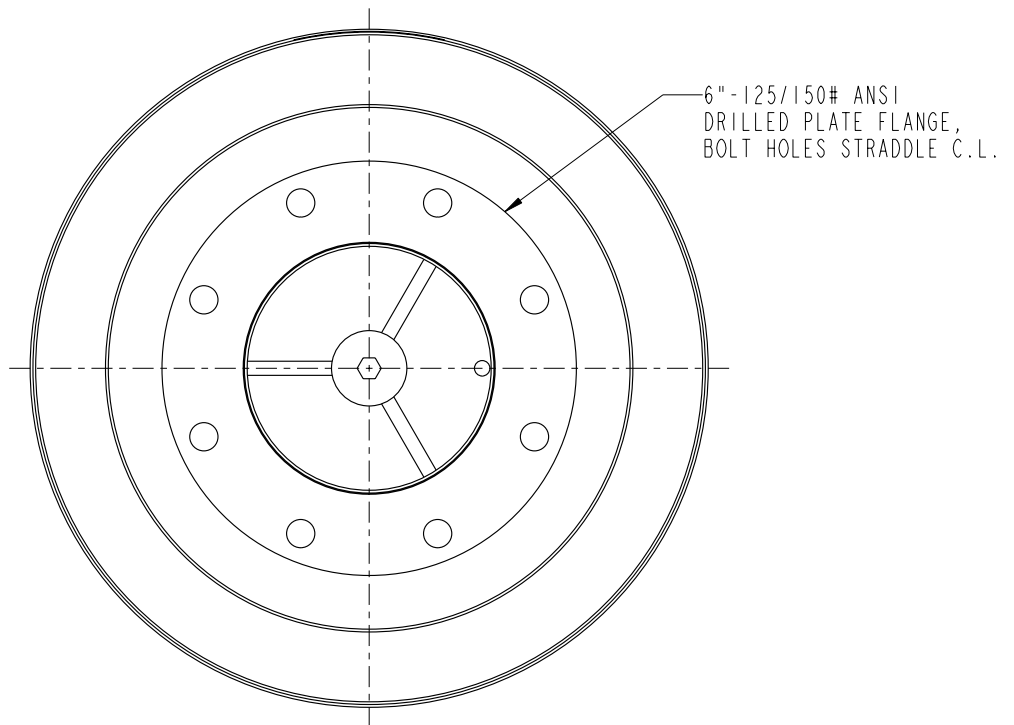
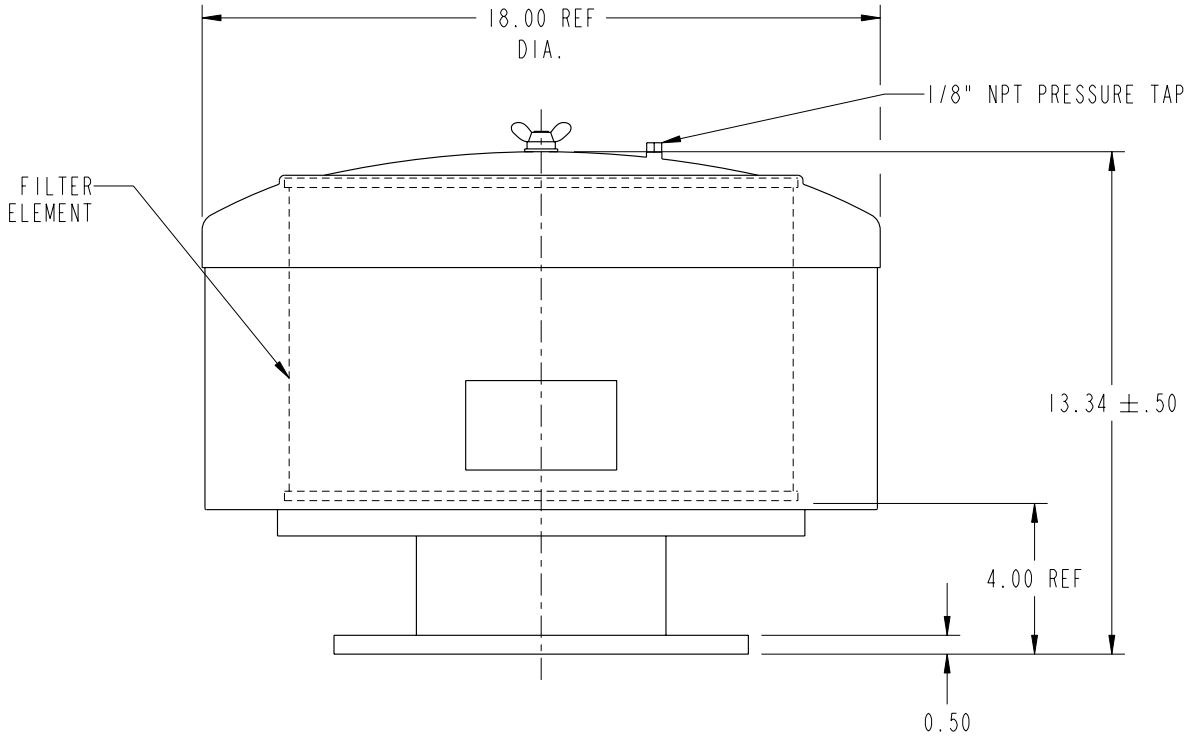
STANDARD CCF-6 INTAKE FILTER

DATE 03-14-01

SHEET OF

SCALE 0.180"=1"

NO.	1
REVISION	REDRAWN ON PRO/ENGINEER.
DATE	03-14-01
DRAWN	DY
APP'D	MB
	04-05-01



NOTES:
1. NOMINAL CAPACITY:
1,100 CFM AT FLOW VELOCITY
OF APPROX. 5,500 FT/MIN.

This document contains CONFIDENTIAL and PROPRIETARY information of Universal Silencer, a Division of Nelson Industries, Inc. Any disclosure or unauthorized use without the express written consent of Universal Silencer is PROHIBITED.

DIMENSIONAL DRAWING NO.
34-L06-AAW

PRO/E

FILTER ELEMENTS INCLUDED (APPLIED ONLY TO ORDER FOR WHICH DRAWING IS CERTIFIED)

DIMENSIONS CERTIFIED FOR:

CC-6W (WIRE) 81-1040	SINGLE STAGE I	DUAL STAGE		P.O. NO:
		PRE-FILTER	FINAL FILTER	
				U.S. S.O. NO.:
				BY:
				DATE:

APPROX WT	31 LBS.	MATERIAL	STEEL	DRAWN	DY	DIMENSIONAL DRAWING NO. 34-L06-AAW	REV. 1
FINISH	88-1085 BLUE ENAMEL	CHECK	MB 04-05-01				