



UNIVERSAL SILENCER

A FLEETGUARD/NELSON COMPANY
 P.O. Box 411, Stoughton, Wisconsin 53589
 608-873-4272 Fax 608-873-4298

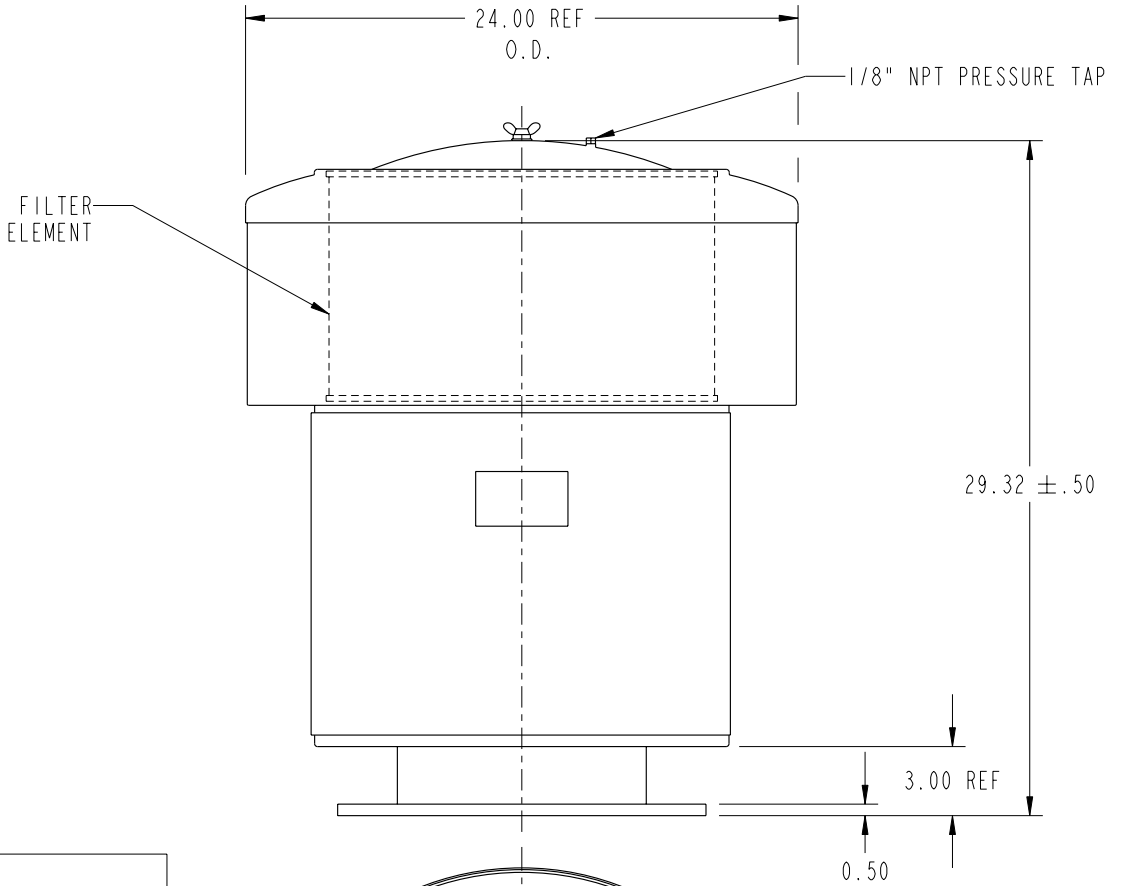
STANDARD CCS-10 FILTER SILENCER

DATE 02-13-01

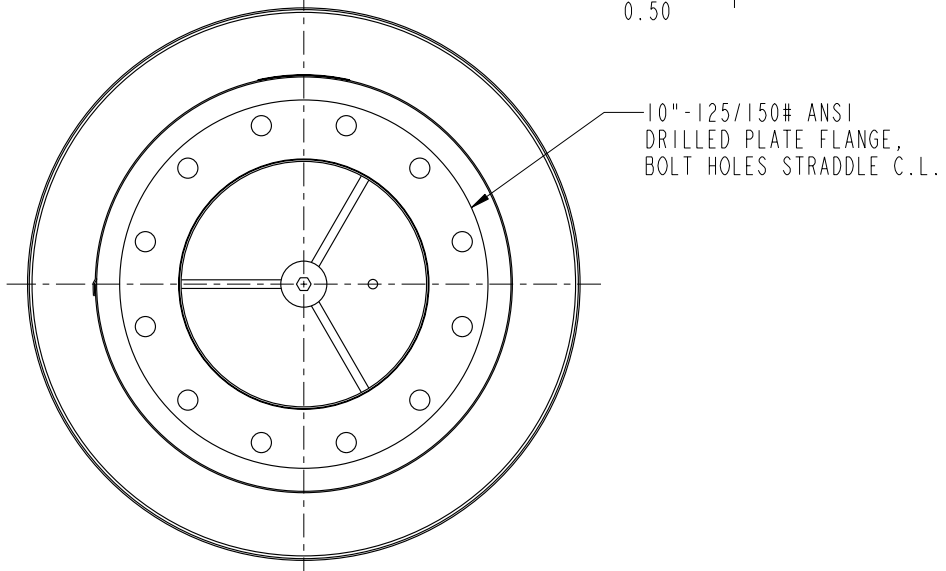
SHEET OF

SCALE 0.110"=1"

NO.	1
REVISION	REDRAWN ON PRO/ENGINEER.
DY	02-21-01
MB	04-10-01
APP'D	



NOTES:
 1. NOMINAL CAPACITY:
 3,000 CFM AT FLOW VELOCITY
 OF APPROX. 5,500 FT/MIN.



This document contains CONFIDENTIAL and PROPRIETARY information of Universal Silencer, a Division of Nelson Industries, Inc. Any disclosure or unauthorized use without the express written consent of Universal Silencer is PROHIBITED.

DIMENSIONAL DRAWING NO. 34-K10-AAF

PRO/E

FILTER ELEMENTS INCLUDED (APPLIED ONLY TO ORDER FOR WHICH DRAWING IS CERTIFIED)				DIMENSIONS CERTIFIED FOR:	
	SINGLE STAGE	DUAL STAGE			
		PRE-FILTER	FINAL FILTER		
CC-12F (FELT) 81-1209	1			P.O. NO:	
				U.S. S.O. NO.:	
				BY:	
				DATE:	
APPROX WT 86 LBS.	MATERIAL STEEL	DRAWN DY	DIMENSIONAL DRAWING NO.		REV.
FINISH 88-1085 BLUE ENAMEL		CHECK MB 04-10-01	34-K10-AAF		1