



UNIVERSAL SILENCER

A FLEETGUARD/NELSON COMPANY
 P.O. Box 411, Stoughton, Wisconsin 53589
 608-873-4272 Fax 608-873-4298

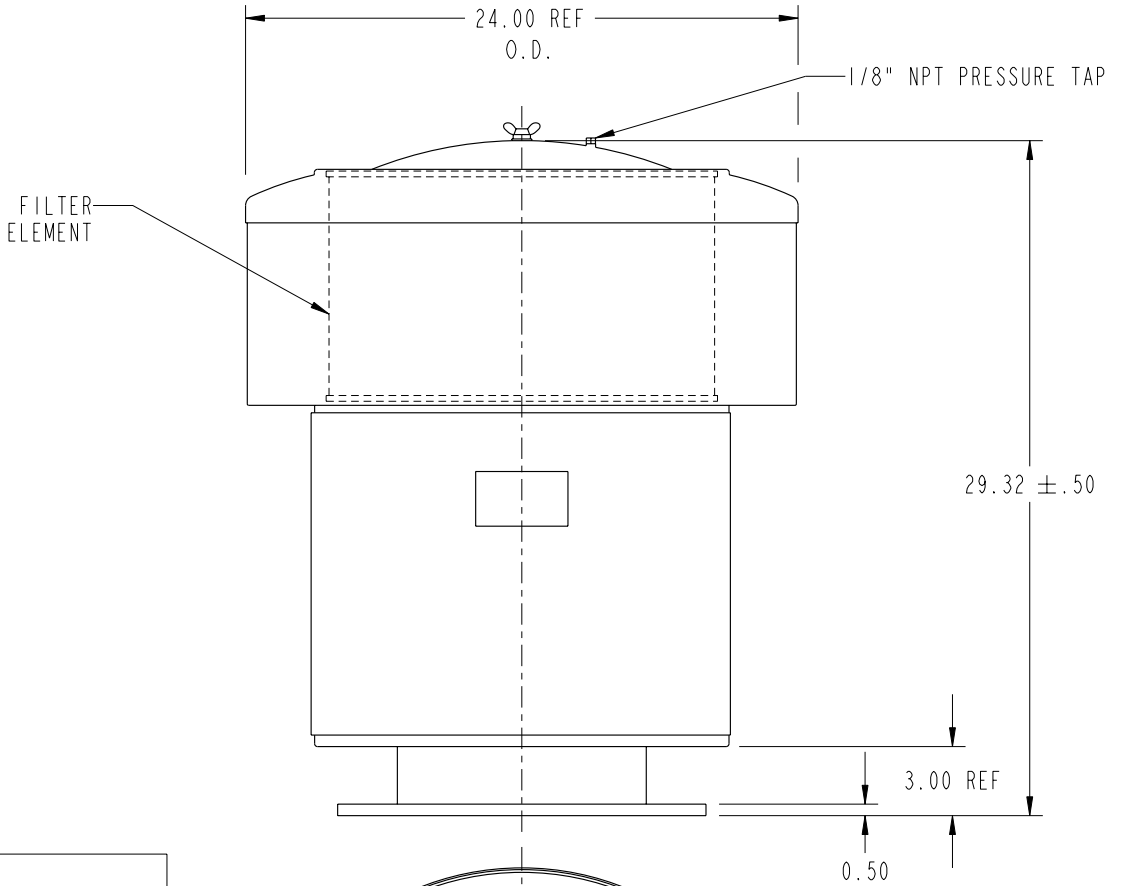
STANDARD CCS-10 FILTER SILENCER

DATE 02-13-01

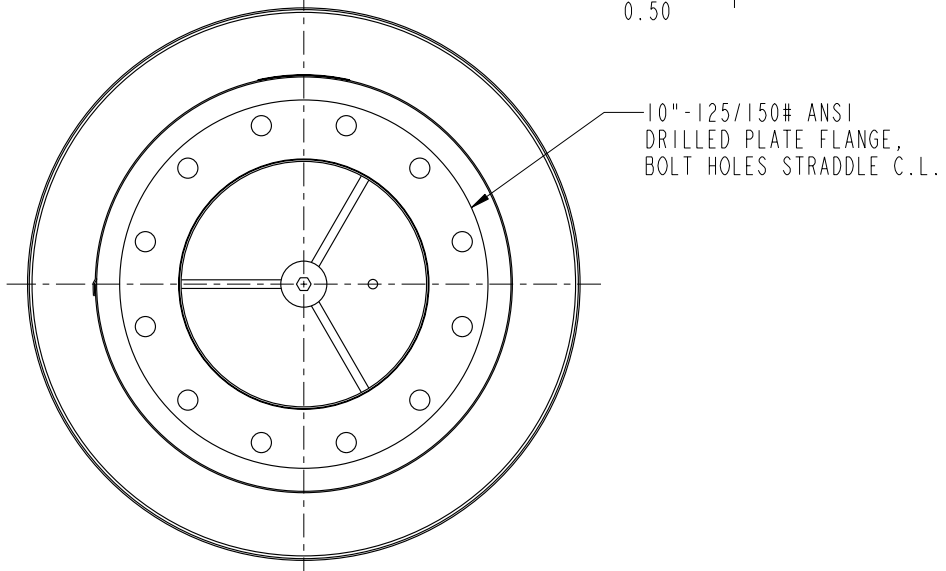
SHEET OF

SCALE 0.110"=1"

NO.	1
REVISION	REDRAWN ON PRO/ENGINEER.
DY	02-21-01
MB	04-10-01
APP'D	



NOTES:
 1. NOMINAL CAPACITY:
 3,000 CFM AT FLOW VELOCITY
 OF APPROX. 5,500 FT/MIN.



This document contains CONFIDENTIAL and PROPRIETARY information of Universal Silencer, a Division of Nelson Industries, Inc. Any disclosure or unauthorized use without the express written consent of Universal Silencer is PROHIBITED.

DIMENSIONAL DRAWING NO.
 34-K10-AAP

PRO/E

FILTER ELEMENTS INCLUDED (APPLIED ONLY TO ORDER FOR WHICH DRAWING IS CERTIFIED)

DIMENSIONS CERTIFIED FOR:

	SINGLE STAGE	DUAL STAGE	
		PRE-FILTER	FINAL FILTER
CC-12P (PAPER) 81-1163	I		

P.O. NO:
 U.S. S.O. NO.:
 BY:
 DATE:

REV. 1	APPROX WT 83 LBS.	MATERIAL STEEL	DRAWN DY	DIMENSIONAL DRAWING NO.	REV. 1
	FINISH 88-1085 BLUE ENAMEL		CHECK MB 04-10-01	34-K10-AAP	