



UNIVERSAL SILENCER

A FLEETGUARD/NELSON COMPANY
 P.O. Box 411, Stoughton, Wisconsin 53589
 608-873-4272 Fax 608-873-4298

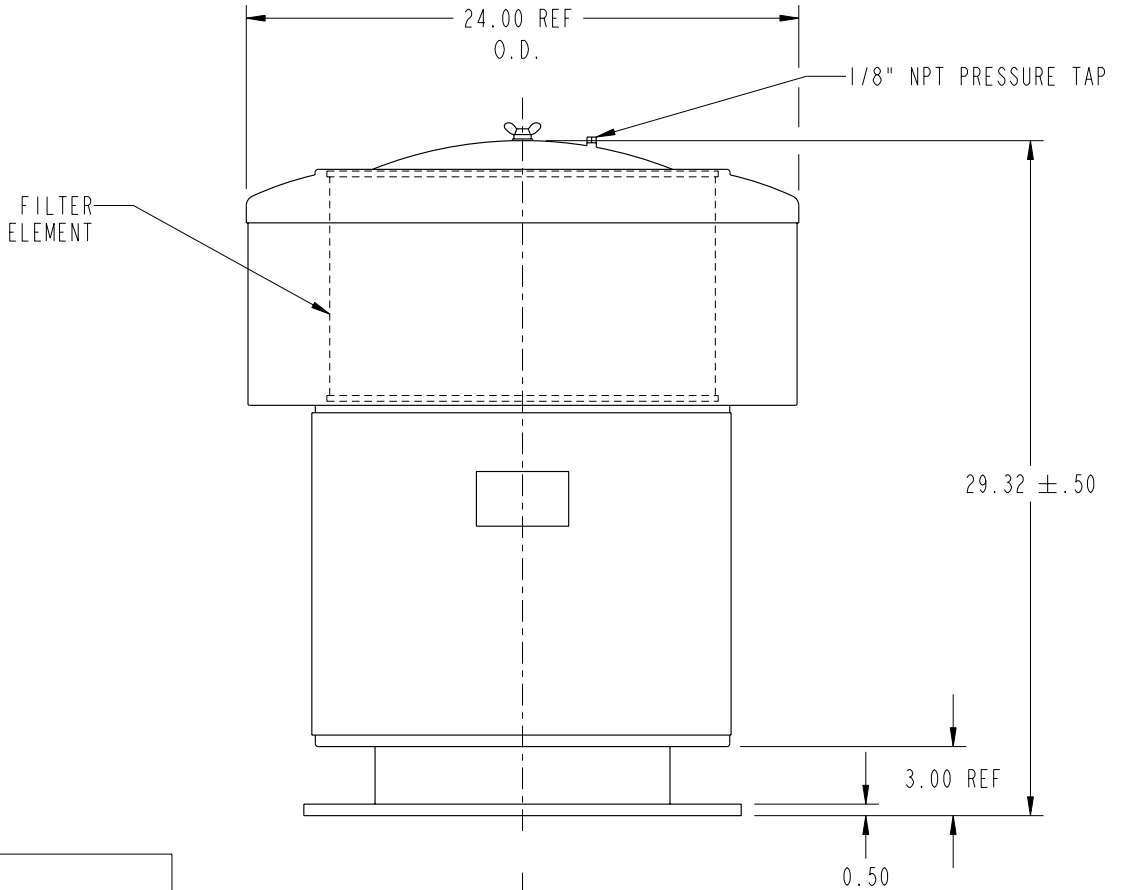
STANDARD CCS-12 FILTER SILENCER

DATE 02-13-01

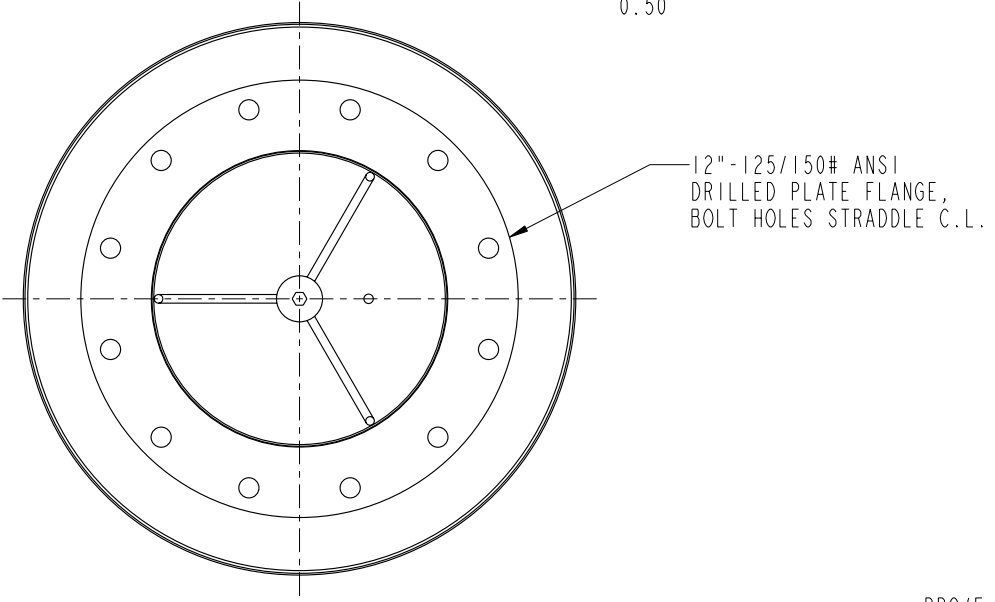
SHEET OF

SCALE 0.110"=1"

| | |
|----------|--------------------------|
| NO. | 1 |
| REVISION | REDRAWN ON PRO/ENGINEER. |
| DATE | 02-13-01 |
| DRAWN | DY |
| APP'D | MB |
| | 04-10-01 |



NOTES:
 1. NOMINAL CAPACITY:
 4,300 CFM AT FLOW VELOCITY
 OF APPROX. 5,500 FT/MIN.



This document contains CONFIDENTIAL and PROPRIETARY information of Universal Silencer, a Division of Nelson Industries, Inc. Any disclosure or unauthorized use without the express written consent of Universal Silencer is PROHIBITED.

DIMENSIONAL DRAWING NO.
 34-K12-AAF

PRO/E

FILTER ELEMENTS INCLUDED (APPLIED ONLY TO ORDER FOR WHICH DRAWING IS CERTIFIED)

DIMENSIONS CERTIFIED FOR:

| | SINGLE STAGE | DUAL STAGE | |
|-----------------------|--------------|------------|--------------|
| | | PRE-FILTER | FINAL FILTER |
| CC-12F (FELT) 81-1209 | I | | |
| | | | |
| | | | |

| | |
|----------------|--|
| P.O. NO: | |
| U.S. S.O. NO.: | |
| BY: | |
| DATE: | |

| | | | | | |
|------|----------------------------|----------------|-------------------|-------------------------|------|
| REV. | APPROX WT 94 LBS. | MATERIAL STEEL | DRAWN DY | DIMENSIONAL DRAWING NO. | REV. |
| 1 | FINISH 88-1085 BLUE ENAMEL | | CHECK MB 04-10-01 | 34-K12-AAF | 1 |