



UNIVERSAL SILENCER

A FLEETGUARD/NELSON COMPANY
P.O. Box 411, Stoughton, Wisconsin 53589
608-873-4272 Fax 608-873-4298

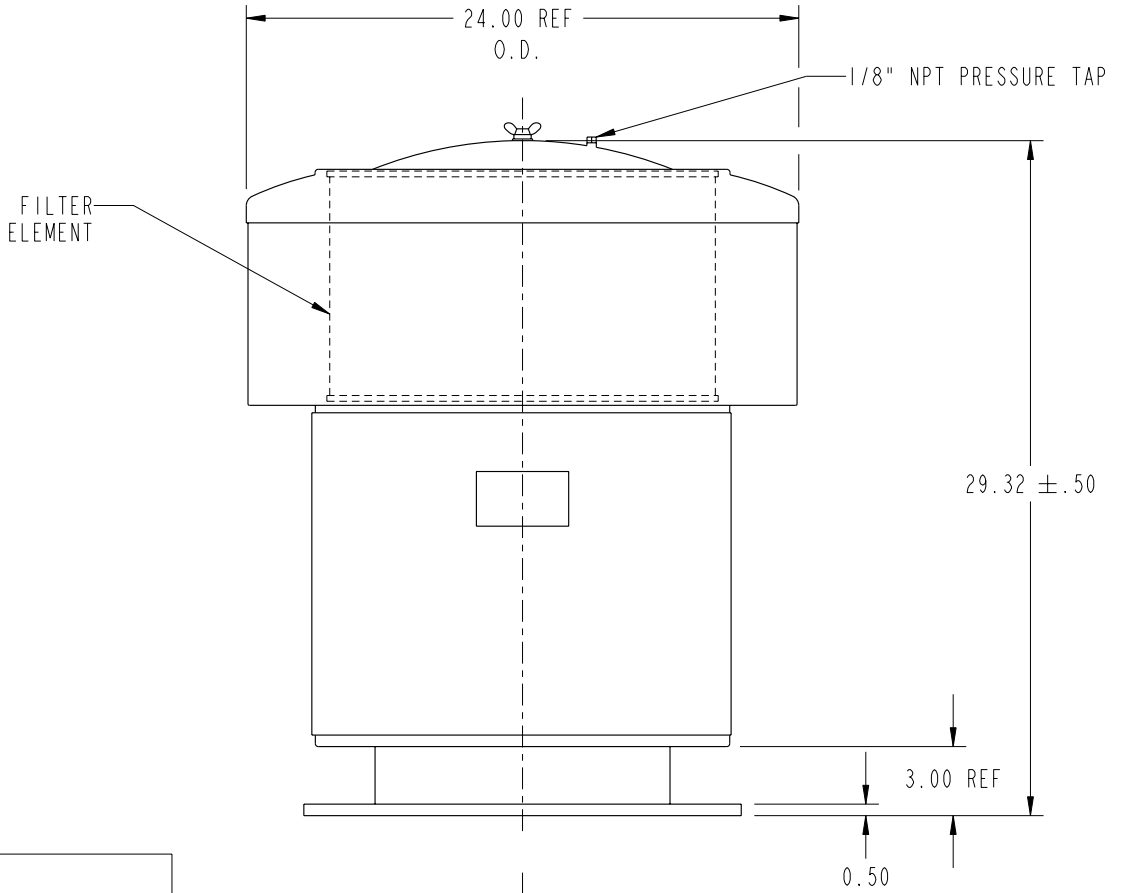
STANDARD CCS-12 FILTER SILENCER

DATE 02-13-01

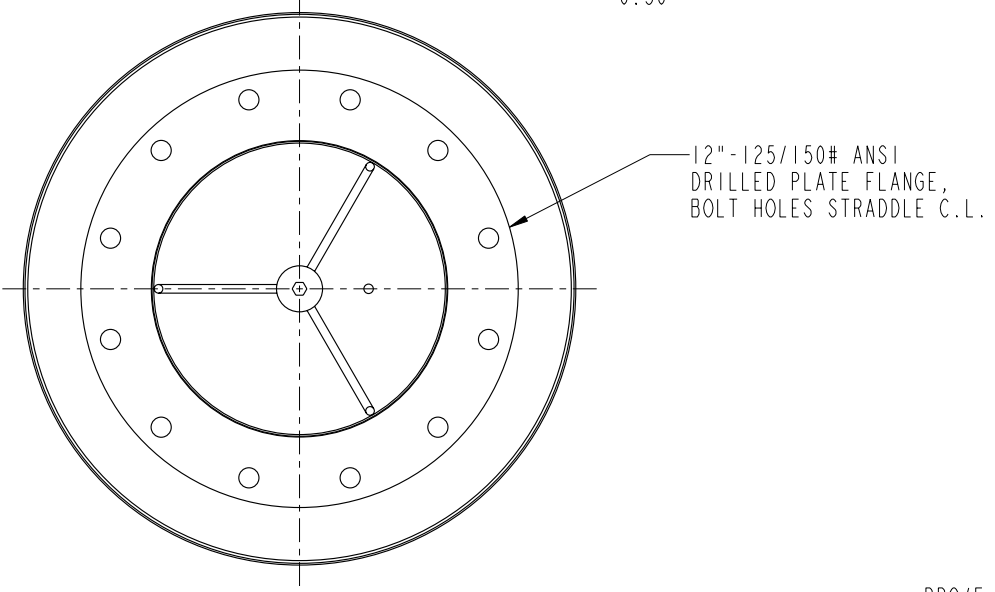
SHEET OF

SCALE 0.110"=1"

NO.	1
REVISION	REDRAWN ON PRO/ENGINEER.
DATE	02-13-01
DRAWN	DY
APP'D	MB



NOTES:
1. NOMINAL CAPACITY:
4,300 CFM AT FLOW VELOCITY
OF APPROX. 5,500 FT/MIN.



This document contains CONFIDENTIAL and PROPRIETARY information of Universal Silencer, a Division of Nelson Industries, Inc. Any disclosure or unauthorized use without the express written consent of Universal Silencer is PROHIBITED.

DIMENSIONAL DRAWING NO.
34-K12-AAW

PRO/E

FILTER ELEMENTS INCLUDED (APPLIED ONLY TO ORDER FOR WHICH DRAWING IS CERTIFIED)

DIMENSIONS CERTIFIED FOR:

CC-12W (WIRE) 81-1200	SINGLE STAGE	DUAL STAGE		P.O. NO:
		PRE-FILTER	FINAL FILTER	
	I			BY:
				DATE:

REV. 1	APPROX WT 100 LBS.	MATERIAL STEEL	DRAWN DY	DIMENSIONAL DRAWING NO. 34-K12-AAW	REV. 1
	FINISH 88-1085 BLUE ENAMEL		CHECK MB 04-10-01		