



UNIVERSAL SILENCER

A FLEETGUARD/NELSON COMPANY
P.O. Box 411, Stoughton, Wisconsin 53589
608-873-4272 Fax 608-873-4298

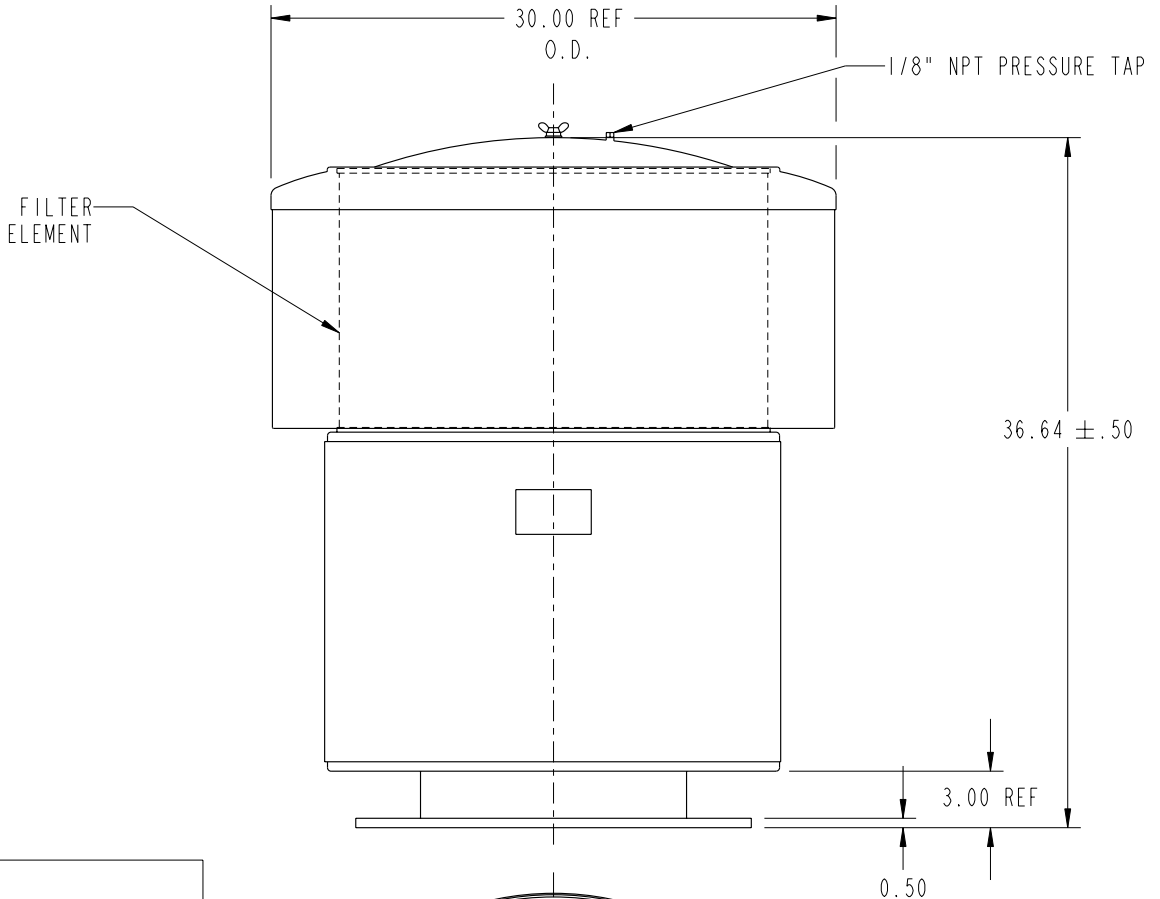
STANDARD CCS-14 FILTER SILENCER

DATE 02-13-01

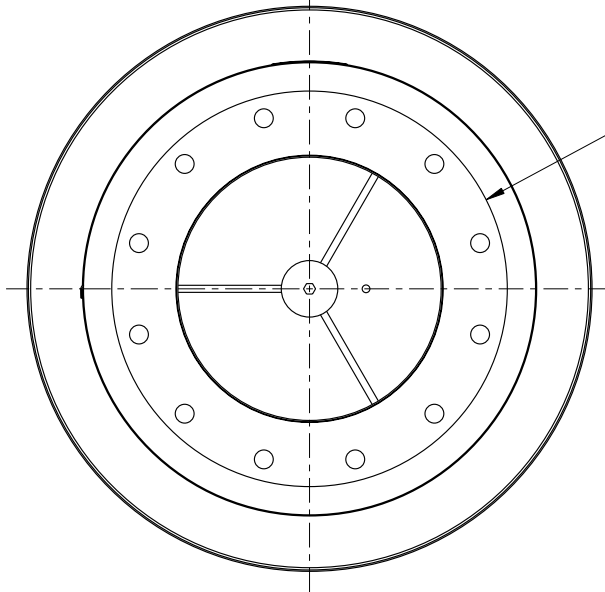
SHEET OF

SCALE 0.090"=1"

NO.	1
REVISION	REDRAWN ON PRO/ENGINEER.
DATE	02-13-01
DRAWN	DY
APP'D	MB



NOTES:
1. NOMINAL CAPACITY:
5,900 CFM AT FLOW VELOCITY
OF APPROX. 5,500 FT/MIN.



14"-125/150# ANSI
DRILLED PLATE FLANGE,
BOLT HOLES STRADDLE C.L.

PRO/E

FILTER ELEMETS INCLUDED (APPLIED ONLY TO ORDER FOR WHICH DRAWING IS CERTIFIED)

DIMENSIONS CERTIFIED FOR:

SINGLE STAGE	DUAL STAGE		P.O. NO:
	PRE-FILTER	FINAL FILTER	
CC-16F (FELT) 81-1210	I		BY:
			DATE:

DIMENSIONAL DRAWING NO. 34-K14-AAF

APPROX WT 150 LBS.	MATERIAL STEEL	DRAWN DY	DIMENSIONAL DRAWING NO. 34-K14-AAF	REV. 1
FINISH 88-1085 BLUE ENAMEL		CHECK MB 04-10-01		

This document contains CONFIDENTIAL and PROPRIETARY information of Universal Silencer, A Division of Nelson Industries, Inc. Any disclosure or unauthorized use without the express written consent of Universal Silencer is PROHIBITED.