



# UNIVERSAL SILENCER

A FLEETGUARD/NELSON COMPANY  
P.O. Box 411, Stoughton, Wisconsin 53589  
608-873-4272 Fax 608-873-4298

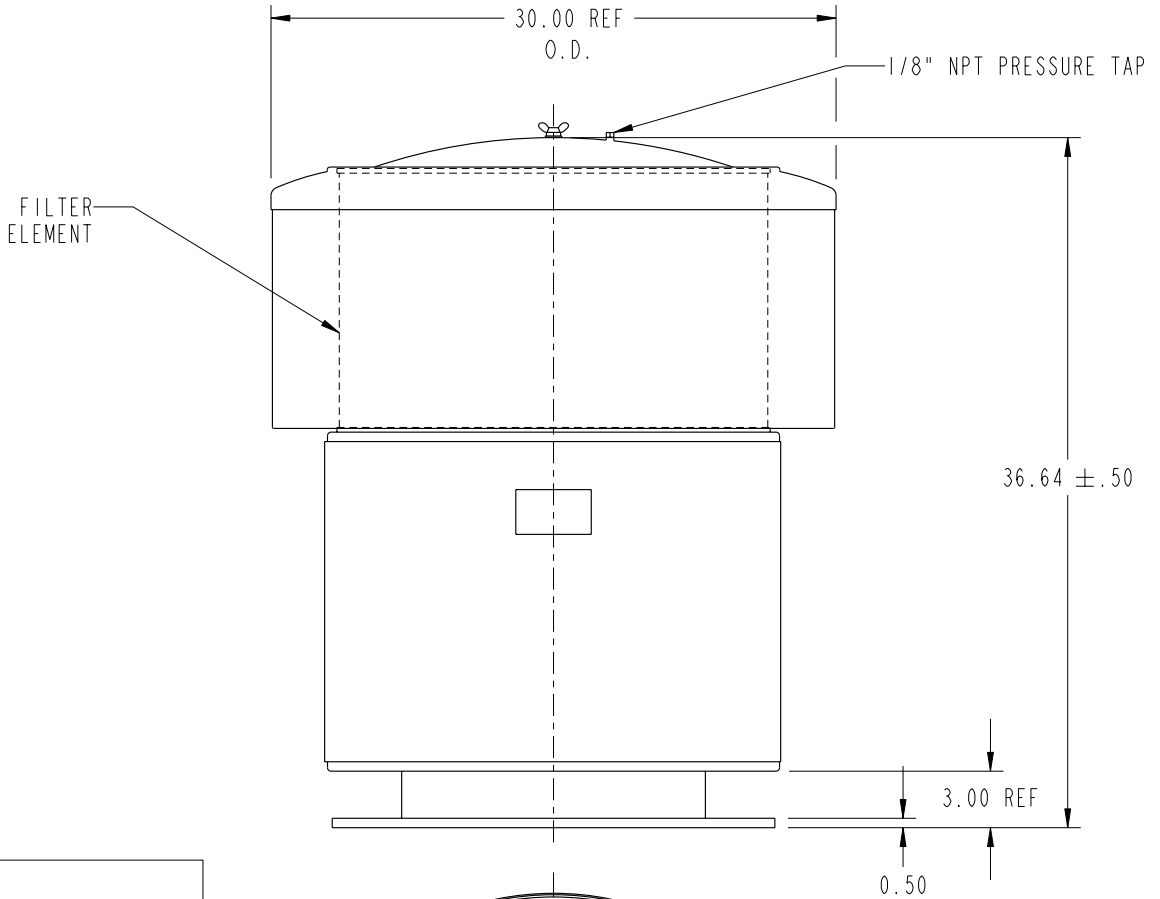
## STANDARD CCS-16 FILTER SILENCER

DATE 02-13-01

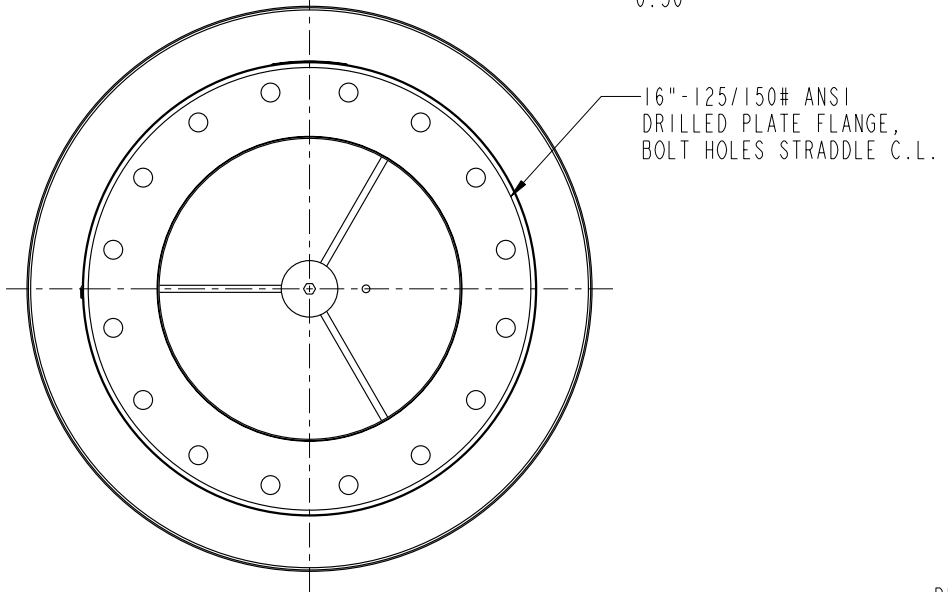
SHEET OF

SCALE 0.090"=1"

NO.	1
REVISION	REDRAWN ON PRO/ENGINEER.
DATE	02-13-01
DRAWN	DY
APP'D	MB



NOTES:  
1. NOMINAL CAPACITY:  
7,700 CFM AT FLOW VELOCITY  
OF APPROX. 5,500 FT/MIN.



This document contains CONFIDENTIAL and PROPRIETARY information of Universal Silencer, a Division of Nelson Industries, Inc. Any disclosure or unauthorized use without the express written consent of Universal Silencer is PROHIBITED.

DIMENSIONAL DRAWING NO. 34-K16-AAF

PRO/E

FILTER ELEMENTS INCLUDED (APPLIED ONLY TO ORDER FOR WHICH DRAWING IS CERTIFIED)				DIMENSIONS CERTIFIED FOR:			
	SINGLE STAGE	DUAL STAGE					
		PRE-FILTER	FINAL FILTER				
CC-16F (FELT) 81-1210	I			P.O. NO:			
				U.S. S.O. NO.:			
				BY:			
				DATE:			
APPROX WT 150 LBS.	MATERIAL STEEL	DRAWN DY	DIMENSIONAL DRAWING NO.				REV.
FINISH 88-1085 BLUE ENAMEL		CHECK MB 04-10-01	34-K16-AAF				I