



# UNIVERSAL SILENCER

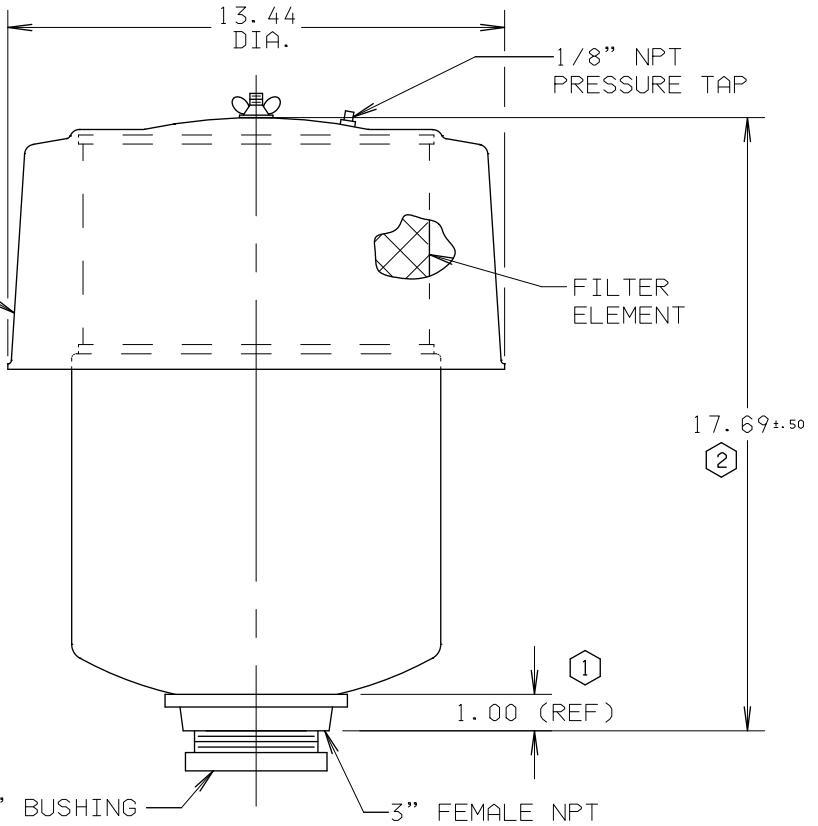
A FLEETGUARD/NELSON COMPANY  
P.O. Box 411, Stoughton, Wisconsin 53589  
608-873-4272 Fax 608-873-4298

## STANDARD CCS-2 1/2 INTAKE FILTER SILENCER

DATE 7-8-98  
SHEET OF  
SCALE NTS

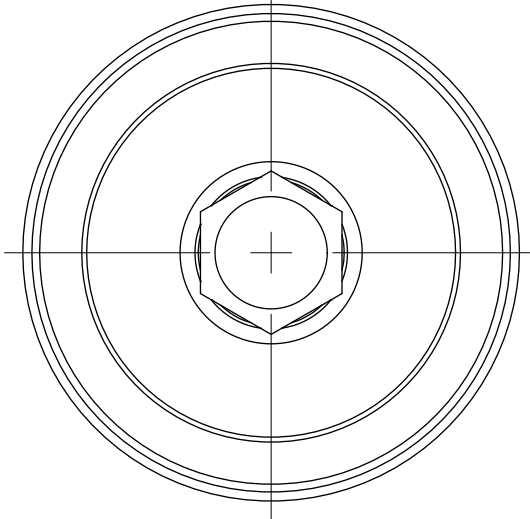
NO.	①	②
REVISION	REMOVED TOLERANCE	QAL WAS 16.81, WT. WAS 16
DATE	8-5-98	11-12-98
APP'D	TAH	TAH

BLUE PLASTIC COMPOSITE WEATHERHOOD



NOMINAL CAPACITY: 190 CFM  
AT FLOW VELOCITY OF APPROX.  
5,500 FT/MIN.

MATERIAL AND FINISH  
DESCRIPTIONS DO NOT  
INCLUDE WEATHERHOOD.



DIMENSIONAL DRAWING NO. 34-K25-TTP

FILTER ELEMENTS INCLUDED (APPLIED ONLY TO ORDER FOR WHICH DRAWING IS CERTIFIED)				DIMENSIONS CERTIFIED FOR:	
FILTER TYPE AND PART NUMBER	SINGLE STAGE	DUAL STAGE		P.O. NO:	U.S. S.O. NO:
		PRE-FILTER	FINAL FILTER		
CC-4P (PAPER) 81-1063	1			BY	DATE

REV. 2	APPROX WT 19 LBS	MATERIAL STEEL	②	DRAWN TAH	DIMENSIONAL DRAWING NO. 34-K25-TTP	REV. 2
	FINISH 88-1085 BLUE ENAMEL		②	CHECK MB 11-19-98		

This document contains CONFIDENTIAL and PROPRIETARY information of Universal Silencer, a Division of Nelson Industries, Inc. Any disclosure or unauthorized use without the express written consent of Universal Silencer is PROHIBITED.