



# UNIVERSAL SILENCER

A FLEETGUARD/NELSON COMPANY  
P.O. Box 411, Stoughton, Wisconsin 53589  
608-873-4272 Fax 608-873-4298

## STANDARD CCS-2 FILTER SILENCER

DATE 9-23-98

SHEET OF

SCALE NTS

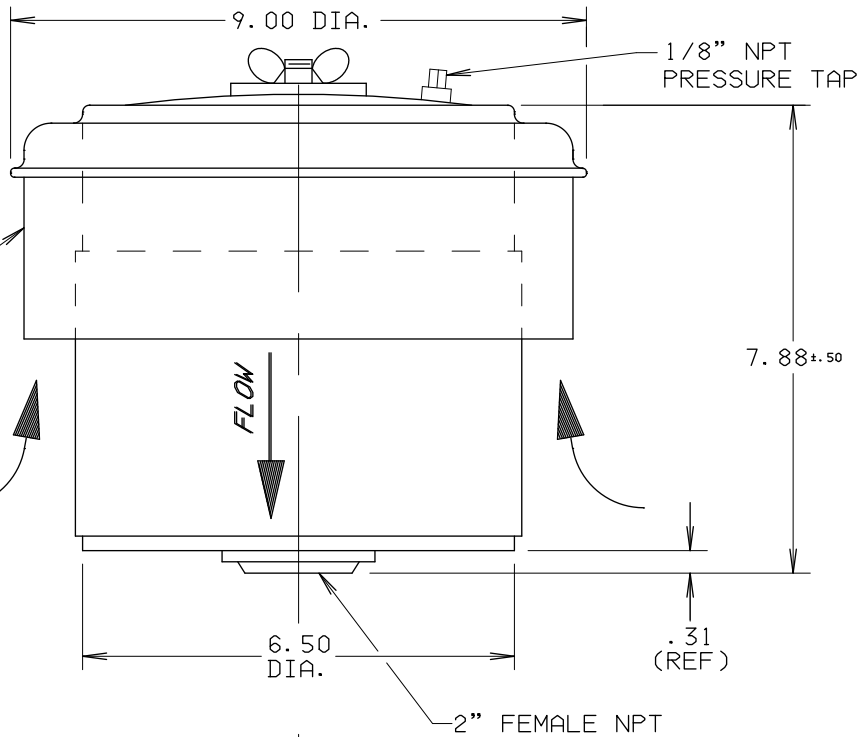
NO.

REVISION

DRAWN

APP'D

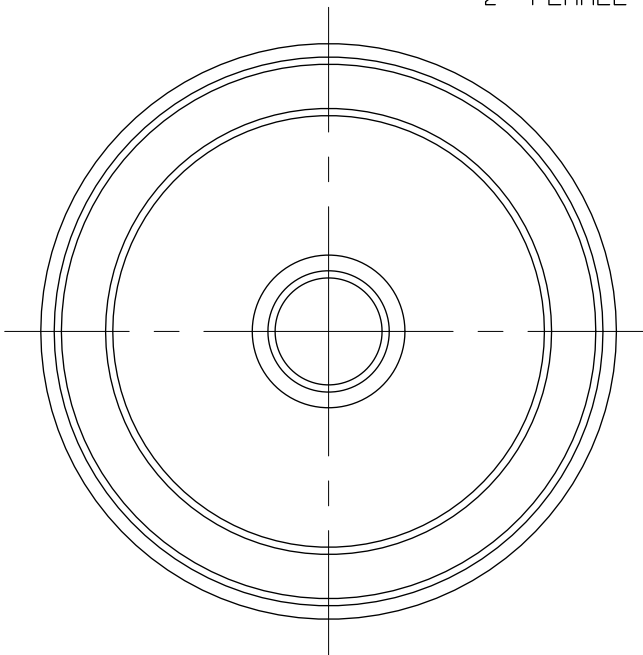
This document contains confidential and proprietary information of Universal Silencer, a Division of Nelson Industries, Inc. Any disclosure or unauthorized use without the express written consent of Universal Silencer is PROHIBITED.



### NOTES:

RECOMMENDED FLOW RATE  
120 CFM MAX.

APPROX. WEIGHT INCLUDES WT.  
OF FILTER ELEMENT.



FILTER ELEMENTS INCLUDED (APPLIED ONLY TO ORDER  
FOR WHICH DRAWING IS CERTIFIED)

DIMENSIONS CERTIFIED FOR:

FILTER TYPE AND PART NUMBER	SINGLE STAGE	DUAL STAGE		P.O. NO:
		PRE-FILTER	FINAL FILTER	
CC-2P (PAPER) 81-0471	1			U.S. S.O. NO:
				BY
				DATE

DIMENSIONAL DRAWING NO. 34-K02-TTP

REV. 0	APPROX WT 10 $\frac{1}{2}$	MATERIAL STEEL	DRAWN TAH	DIMENSIONAL DRAWING NO. 34-K02-TTP	REV. 0
	FINISH 88-1085 BLUE ENAMEL		CHECK MB 9-30-98		