



# UNIVERSAL SILENCER

A FLEETGUARD/NELSON COMPANY  
P.O. Box 411, Stoughton, Wisconsin 53589  
608-873-4272 Fax 608-873-4298

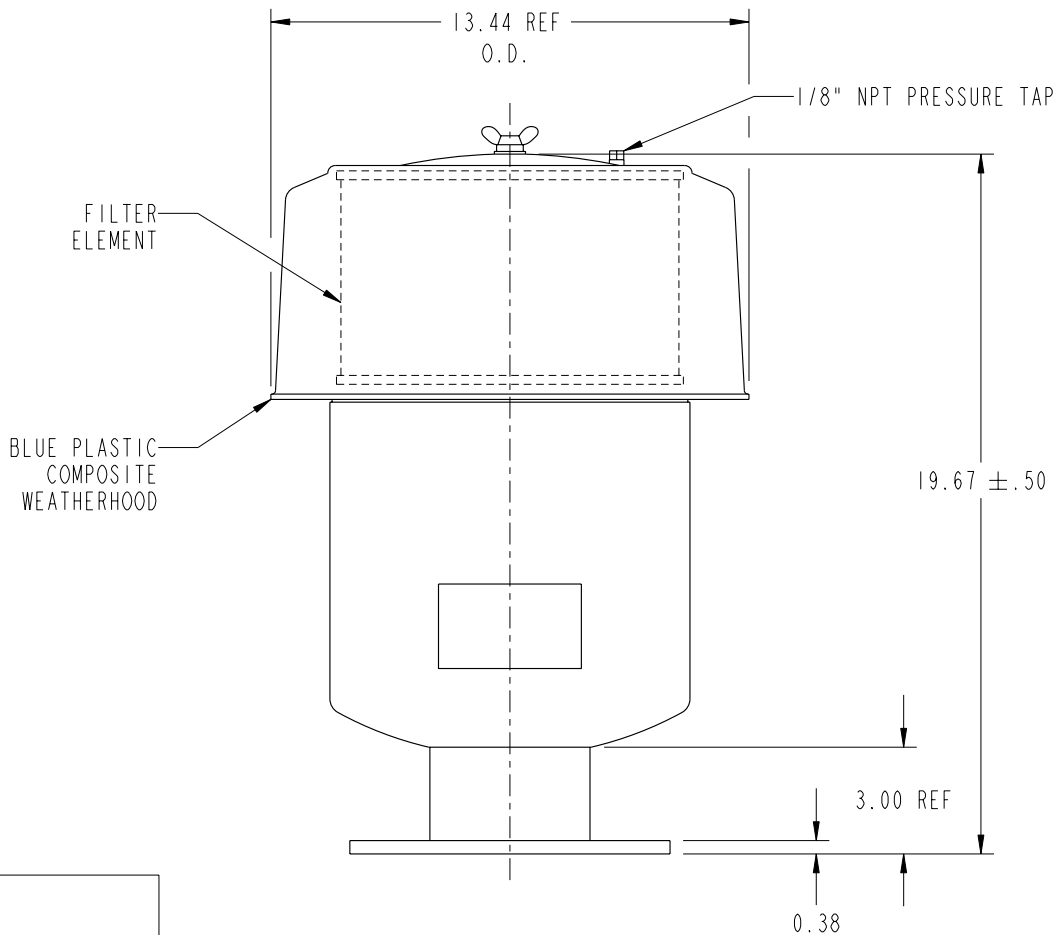
## STANDARD CCS-4 FILTER SILENCER

DATE 02-13-01

SHEET OF

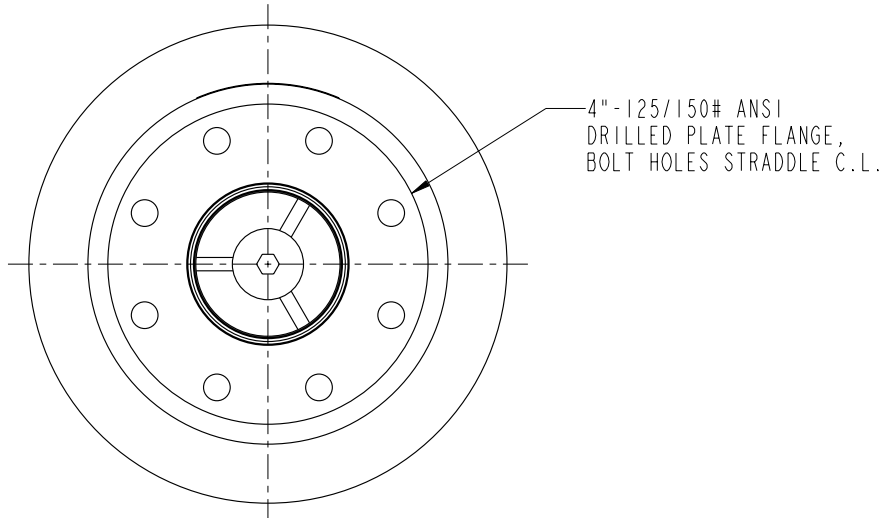
SCALE 0.170"=1"

NO.	3
REVISION	REDRAWN ON PRO/ENGINEER.
DY	02-13-01
MB	04-10-01



NOTES:

- NOMINAL CAPACITY:  
500 CFM AT FLOW VELOCITY  
OF APPROX. 5,500 FT/MIN.
- MATERIAL AND FINISH  
DESCRIPTIONS DO NOT  
INCLUDE WEATHERHOODS.



PRO/E

FILTER ELEMENTS INCLUDED (APPLIED ONLY TO ORDER FOR WHICH DRAWING IS CERTIFIED)      DIMENSIONS CERTIFIED FOR:

CC-4F (FELT) 81-1205	SINGLE STAGE	DUAL STAGE		P.O. NO:
		PRE-FILTER	FINAL FILTER	
	I			U.S. S.O. NO.:
				BY:
				DATE:

DIMENSIONAL DRAWING NO. 34-K04-AAF

REV. 3	APPROX WT 43 LBS.	MATERIAL STEEL $\triangle 2$	DRAWN DY	DIMENSIONAL DRAWING NO. 34-K04-AAF	REV. 3
	FINISH 88-1085 BLUE ENAMEL $\triangle 2$		CHECK MB 04-10-01		

This document contains CONFIDENTIAL and PROPRIETARY information of Universal Silencer, a Division of Nelson Industries, Inc. Any disclosure or unauthorized use without the express written consent of Universal Silencer is PROHIBITED.