



UNIVERSAL SILENCER

A FLEETGUARD/NELSON COMPANY
P.O. Box 411, Stoughton, Wisconsin 53589
608-873-4272 Fax 608-873-4298

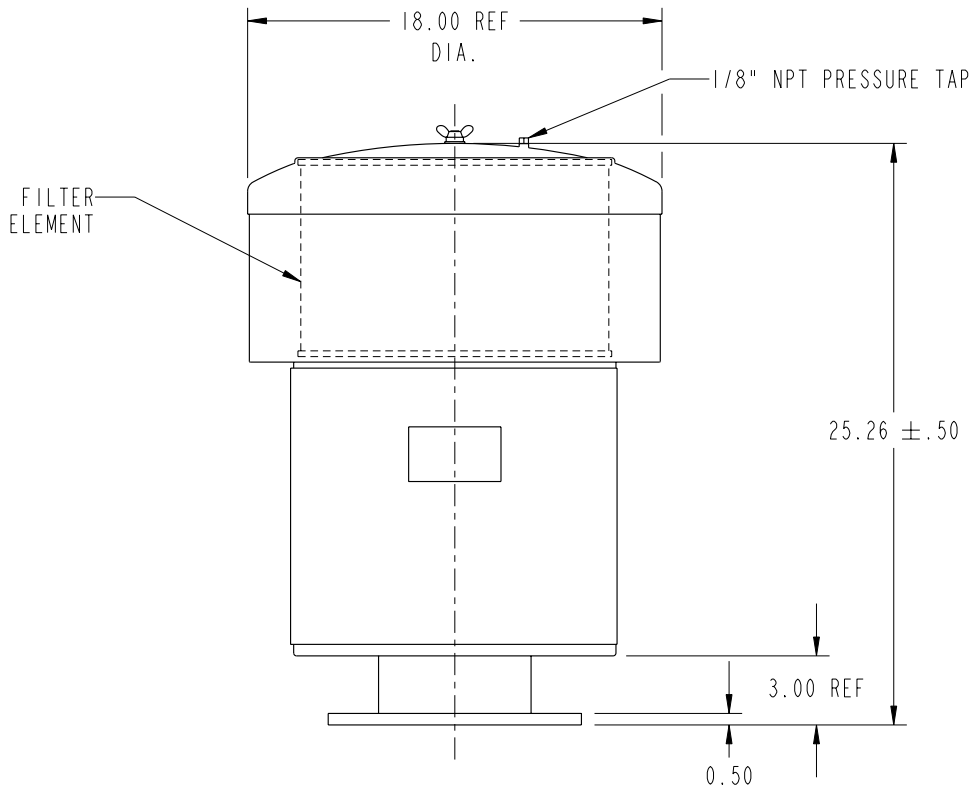
STANDARD CCS-6 FILTER SILENCER

DATE 02-13-01

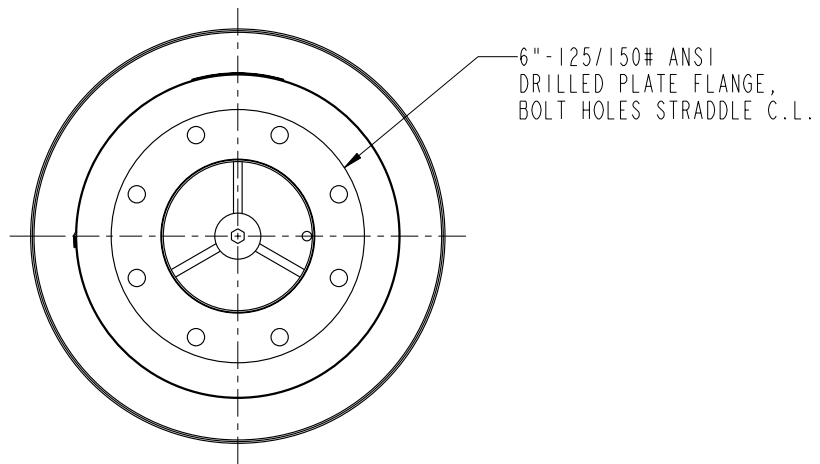
SHEET OF

SCALE 0.110"=1"

NO.	2	REDRAWN ON PRO/ENGINEER.	DY	MB
REVISION			02-13-01	04-10-01
			DRAWN	APP'D



NOTES:
1. NOMINAL CAPACITY:
1,100 CFM AT FLOW VELOCITY
OF APPROX. 5,500 FT/MIN.



This document contains CONFIDENTIAL and PROPRIETARY information of Universal Silencer, A Division of Nelson Industries, Inc. Any disclosure or unauthorized use without the express written consent of Universal Silencer is PROHIBITED.

DIMENSIONAL DRAWING NO.
34-K06-AAP

PRO/E

FILTER ELEMENTS INCLUDED (APPLIED ONLY TO ORDER FOR WHICH DRAWING IS CERTIFIED)

DIMENSIONS CERTIFIED FOR:

	SINGLE STAGE	DUAL STAGE		P.O. NO:
		PRE-FILTER	FINAL FILTER	
CC-6P (PAPER) 81-0475	I			U.S. S.O. NO.:
				BY:
				DATE:

REV. 2	APPROX WT 43 LBS.	MATERIAL STEEL	DRAWN DY	DIMENSIONAL DRAWING NO. 34-K06-AAP	REV. 2
	FINISH 88-1085 BLUE ENAMEL	CHECK MB 04-10-01			