



# UNIVERSAL SILENCER

A FLEETGUARD/NELSON COMPANY  
P.O. Box 411, Stoughton, Wisconsin 53589  
608-873-4272 Fax 608-873-4298

## STANDARD CCS-8 FILTER SILENCER

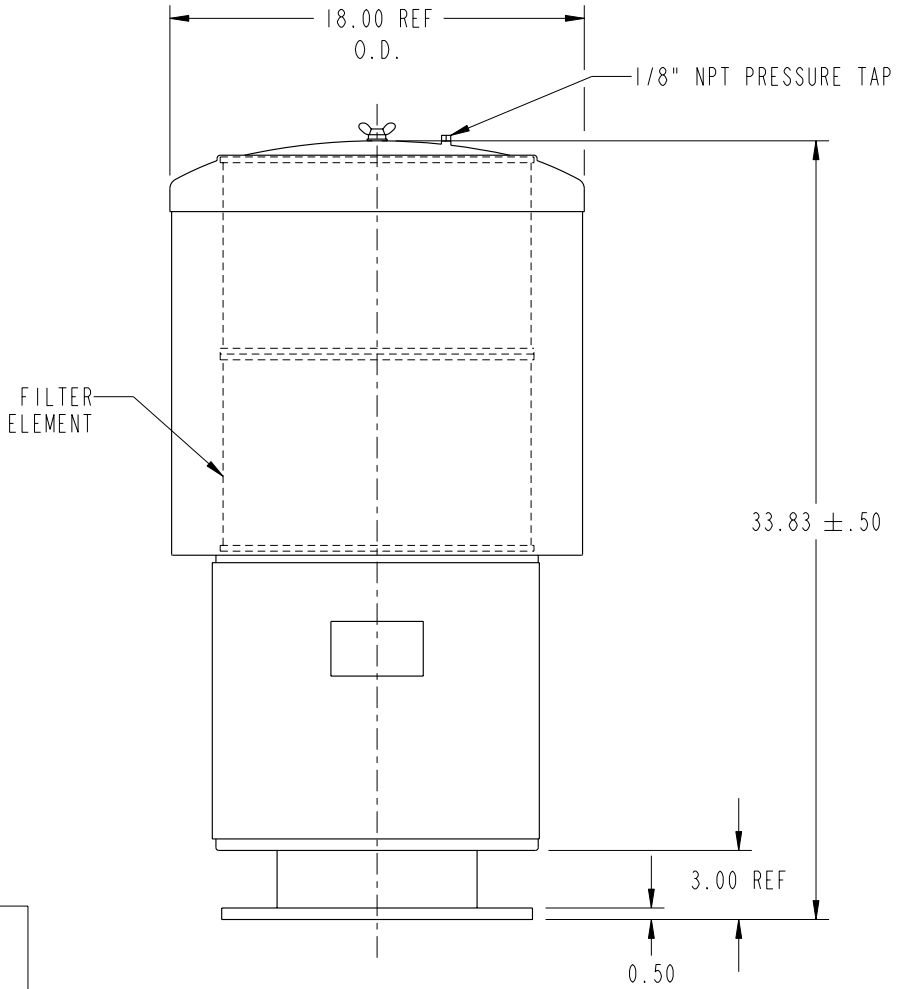
DATE 02-13-01

SHEET OF

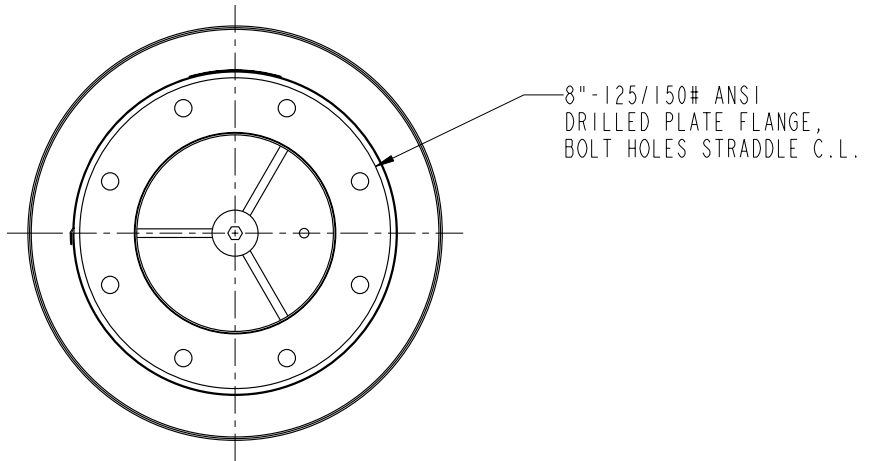
SCALE 0.110"=1"

NO.	1
REVISION	REDRAWN ON PRO/ENGINEER.
DATE	02-13-01
DRAWN	DY
APP'D	MB

This document contains CONFIDENTIAL and PROPRIETARY information of Universal Silencer, A Division of Nelson Industries, Inc. Any disclosure or unauthorized use without the express written consent of Universal Silencer is PROHIBITED.



NOTES:  
 1. NOMINAL CAPACITY:  
 2,200 CFM AT FLOW VELOCITY  
 OF APPROX. 5,500 FT/MIN.



PRO/E

FILTER ELEMETS INCLUDED (APPLIED ONLY TO ORDER FOR WHICH DRAWING IS CERTIFIED)

DIMENSIONS CERTIFIED FOR:

	SINGLE STAGE	DUAL STAGE	
		PRE-FILTER	FINAL FILTER
CC-6P (PAPER) 81-0475	2		

P.O. NO:  
 U.S. S.O. NO.:  
 BY:  
 DATE:

DIMENSIONAL DRAWING NO. 34-K08-AAP

APPROX WT	56 LBS.	MATERIAL	STEEL	DRAWN	DY	DIMENSIONAL DRAWING NO. 34-K08-AAP	REV. 1
FINISH	88-1085 BLUE ENAMEL	CHECK	MB 04-10-01				