



UNIVERSAL SILENCER

A FLEETGUARD/NELSON COMPANY
P.O. Box 411, Stoughton, Wisconsin 53589
608-873-4272 Fax 608-873-4298

STANDARD CCS-8 FILTER SILENCER

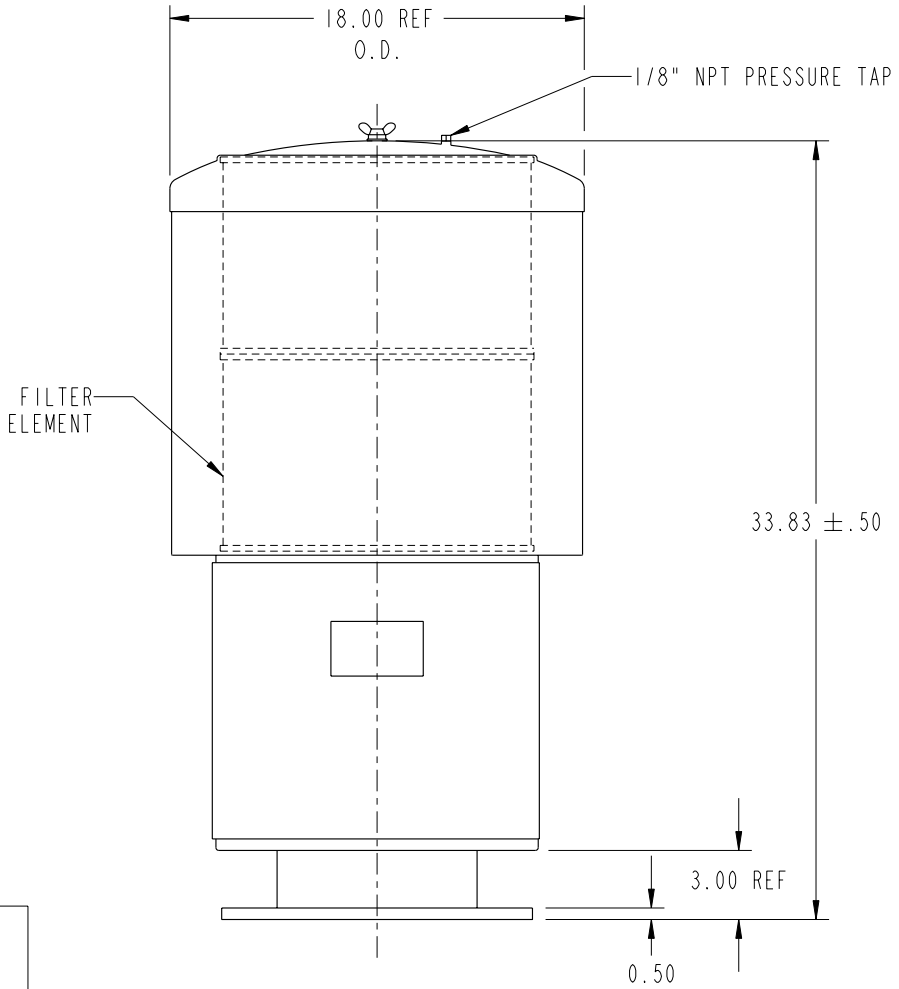
DATE 02-13-01

SHEET OF

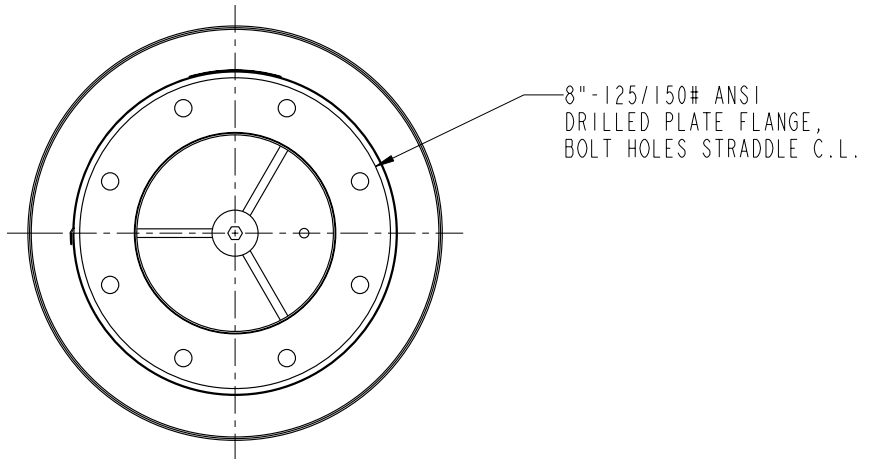
SCALE 0.110"=1"

NO.	1
REVISION	REDRAWN ON PRO/ENGINEER.
DY	02-13-01
MB	04-10-01

This document contains CONFIDENTIAL and PROPRIETARY information of Universal Silencer, a Division of Nelson Industries, Inc. Any disclosure or unauthorized use without the express written consent of Universal Silencer is PROHIBITED.



NOTES:
1. NOMINAL CAPACITY:
2,200 CFM AT FLOW VELOCITY
OF APPROX. 5,500 FT/MIN.



PRO/E

FILTER ELEMENTS INCLUDED (APPLIED ONLY TO ORDER FOR WHICH DRAWING IS CERTIFIED)

DIMENSIONS CERTIFIED FOR:

SINGLE STAGE	DUAL STAGE		P.O. NO:
	PRE-FILTER	FINAL FILTER	
CC-6W (WIRE) 81-1040	2		U.S. S.O. NO.:
			BY:
			DATE:

DIMENSIONAL DRAWING NO.
34-K08-AAW

APPROX WT 64 LBS.	MATERIAL STEEL	DRAWN DY	DIMENSIONAL DRAWING NO.	REV. I
FINISH 88-1085 BLUE ENAMEL		CHECK MB 04-10-01	34-K08-AAW	