



# UNIVERSAL SILENCER

A FLEETGUARD/NELSON COMPANY  
P.O. Box 411, Stoughton, Wisconsin 53589  
608-873-4272 Fax 608-873-4298

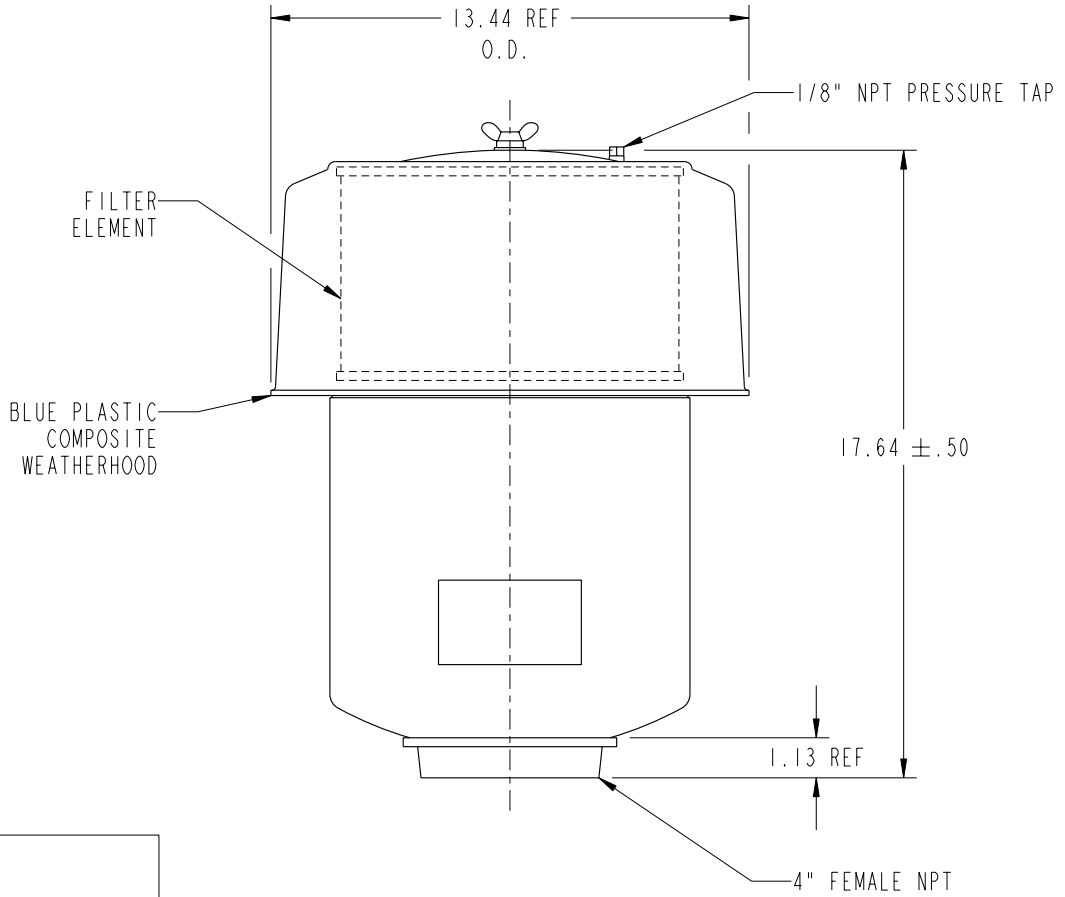
## STANDARD CCS-4 THREADED FILTER SILENCER

DATE 02-13-01

SHEET OF

SCALE 0.170"=1"

NO.	3	REDRAWN ON PRO/ENGINEER.	DY	MB
REVISION			02-13-01	04-10-01
			DRAWN	APP'D



### NOTES:

1. NOMINAL CAPACITY:  
500 CFM AT FLOW VELOCITY  
OF APPROX. 5,500 FT/MIN.

2 MATERIAL AND FINISH  
DESCRIPTIONS DO NOT  
INCLUDE WEATHERHOODS.

This document contains CONFIDENTIAL and PROPRIETARY information of Universal Silencer, a Division of Nelson Industries, Inc. Any disclosure or unauthorized use without the express written consent of Universal Silencer is PROHIBITED.

DIMENSIONAL DRAWING NO.  
34-K04-TTP

PRO/E

FILTER ELEMENTS INCLUDED (APPLIED ONLY TO ORDER  
FOR WHICH DRAWING IS CERTIFIED)

DIMENSIONS CERTIFIED FOR:

	SINGLE STAGE	DUAL STAGE		P.O. NO:
		PRE-FILTER	FINAL FILTER	
CC-4P (PAPER) 81-1063	1			U.S. S.O. NO.:
				BY:
				DATE:
APPROX WT 19 LBS.	MATERIAL STEEL 2	DRAWN DY	DIMENSIONAL DRAWING NO.	
FINISH 88-1085 BLUE ENAMEL 2	CHECK MB 04-10-01	34-K04-TTP		REV. 3

3 REV.