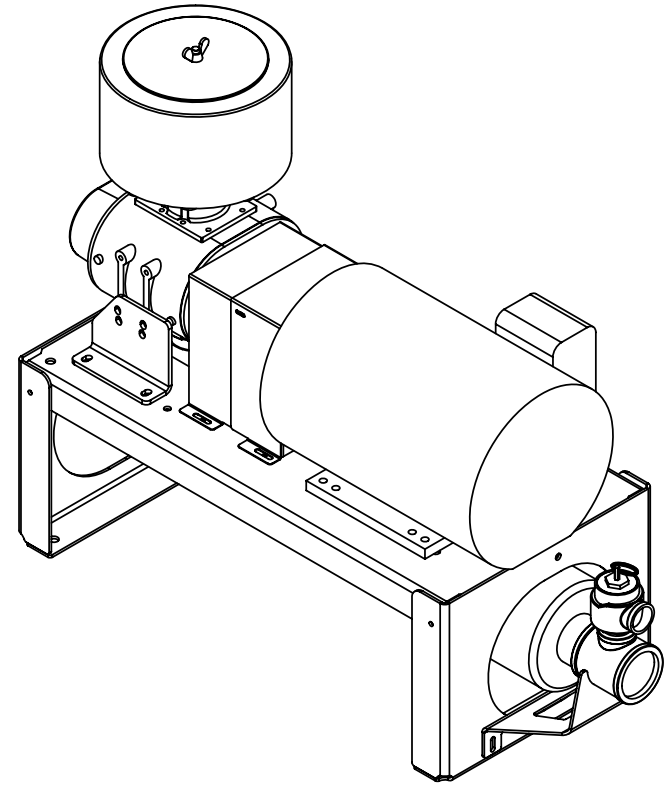
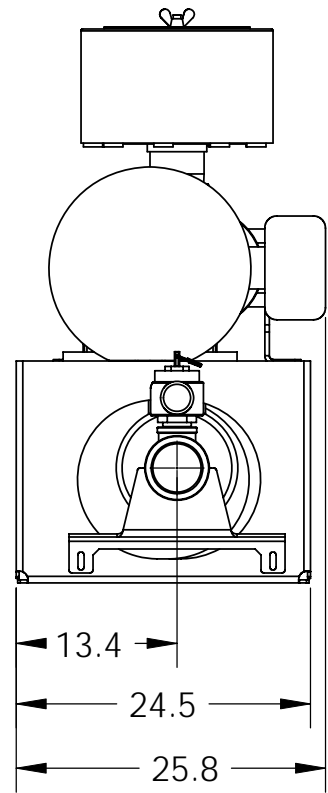
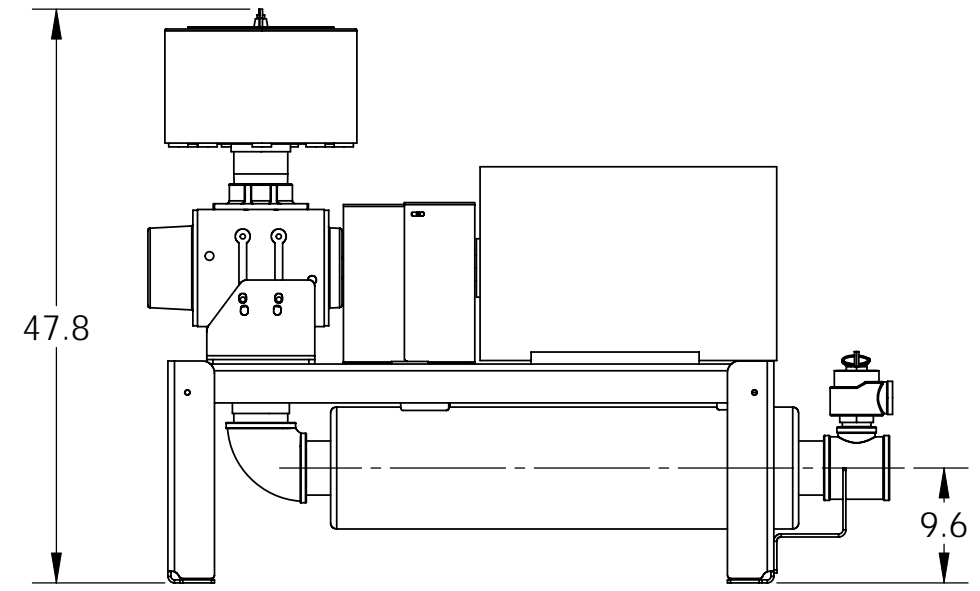
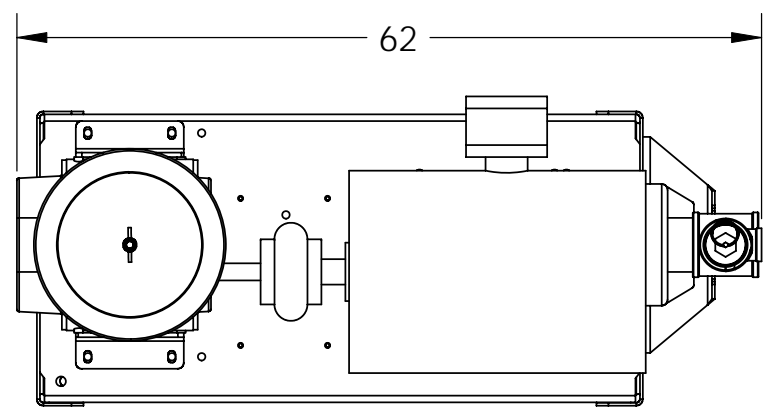



DWG. NO.
PD406FT40FC32AH

REVISIONS				
ZONE	REV.	DESCRIPTION	DATE	APPROVED
	A			
	B			
	C			



PROPRIETARY AND CONFIDENTIAL
THE INFORMATION CONTAINED IN THIS DRAWING IS THE SOLE PROPERTY OF REP Inc. ANY REPRODUCTION IN PART OR AS A WHOLE WITHOUT THE WRITTEN PERMISSION OF REP Inc. IS PROHIBITED.

		UNLESS OTHERWISE SPECIFIED:		DATE	NAME	 REP Inc. 2405 Murphy Blvd. Gainesville, GA 30504 800-536-9933
		DIMENSIONS ARE IN INCHES TOLERANCES: FRACTIONAL ± ANGULAR: MACH ± BEND ± TWO PLACE DECIMAL ± THREE PLACE DECIMAL ±		DRAWN	6-25-05	
		INTERPRET GEOMETRIC TOLERANCING PER:		CHECKED		TITLE: PKG,ROOTSFLO MODEL 406 40HP MOTOR 4" INLET & DISCHARGE
		MATERIAL		ENG APPR.		
		FINISH --		MFG APPR.		
NEXT ASSY	USED ON	WEIGHT:		Q.A.		SIZE B
APPLICATION				COMMENTS: THICKNESS:		DWG. NO. PD406FT40FC32AH
						REV SHEET 1 OF 1
						SCALE: 1:16

8 7 6 5 4 3 2 1

8 7 6 5 4 3 2 1

D
C
B
A

D
C
B
A