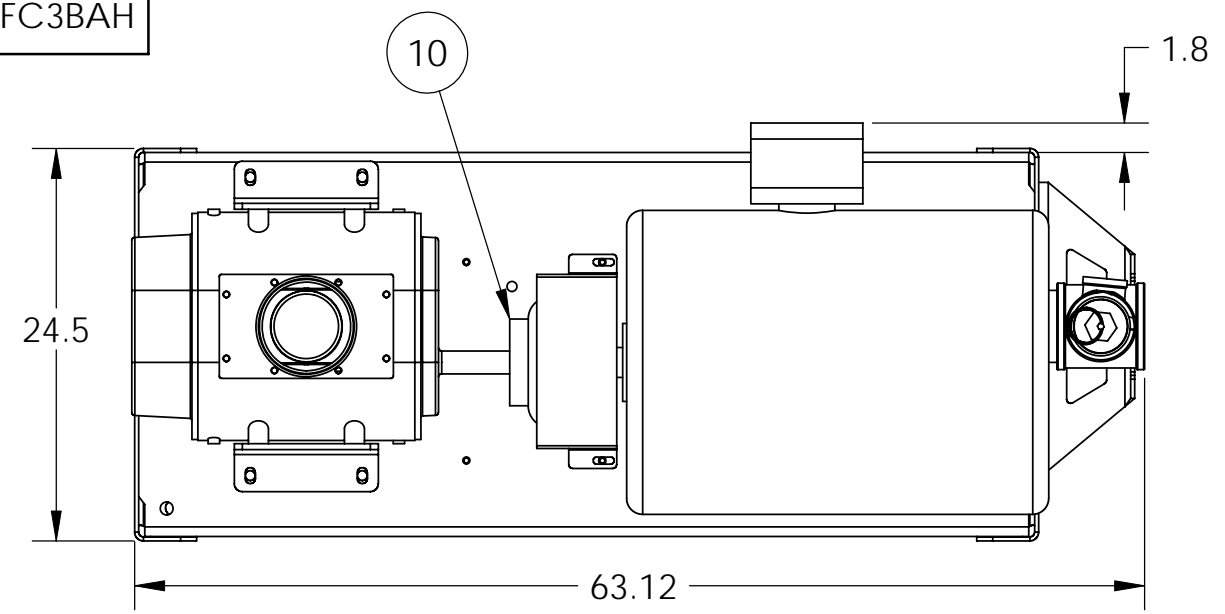
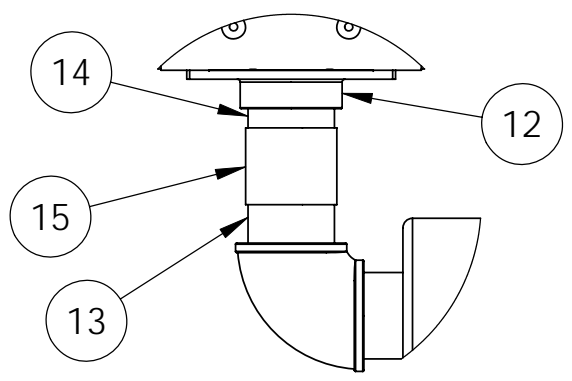


DWG. NO.  
PD409FT60FC3BAH

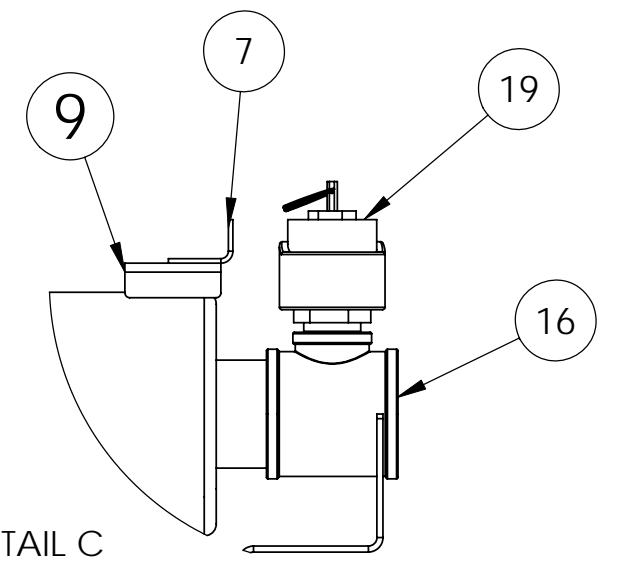
REVISIONS				
ZONE	REV.	DESCRIPTION	DATE	APPROVED



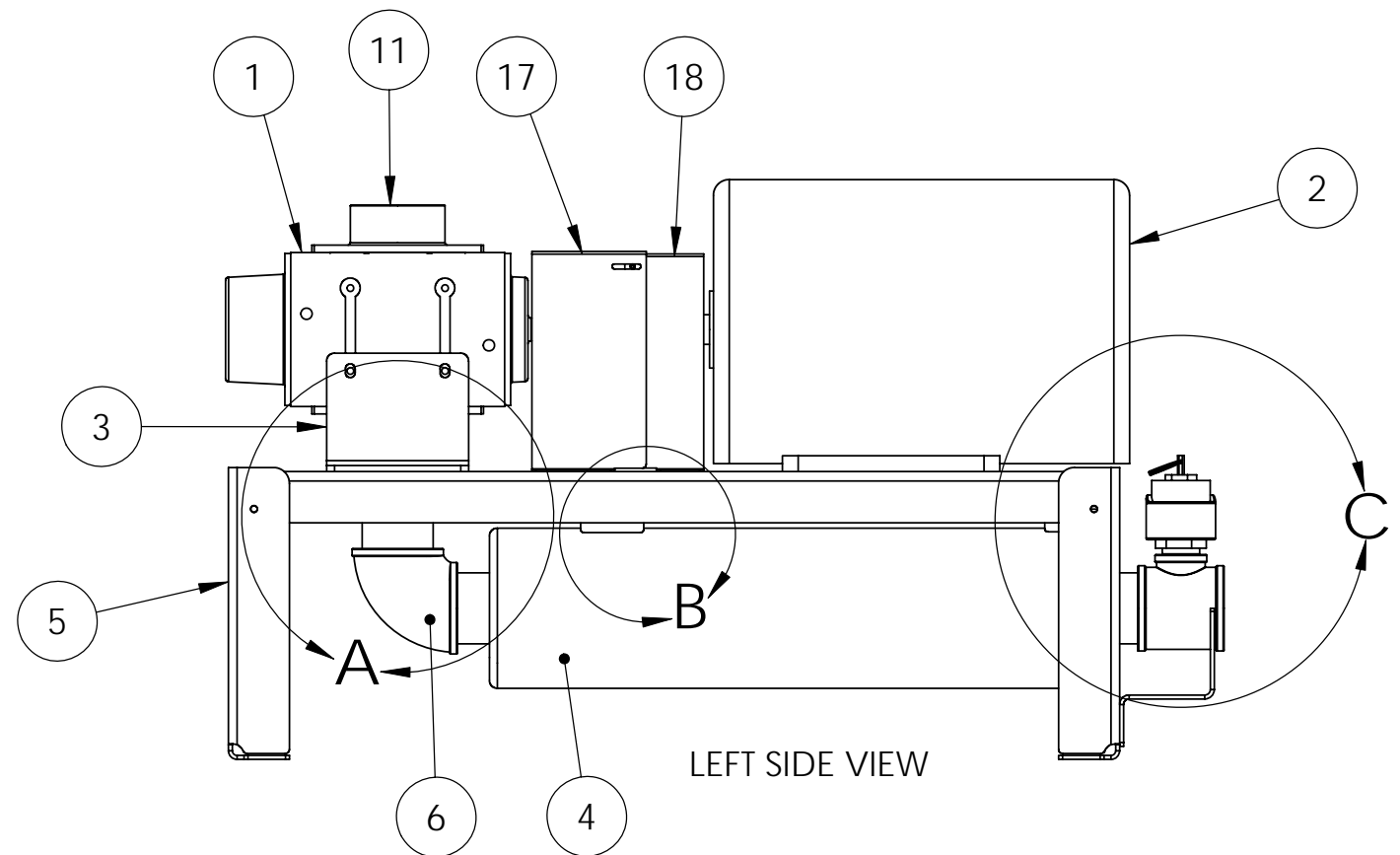
TOP VIEW



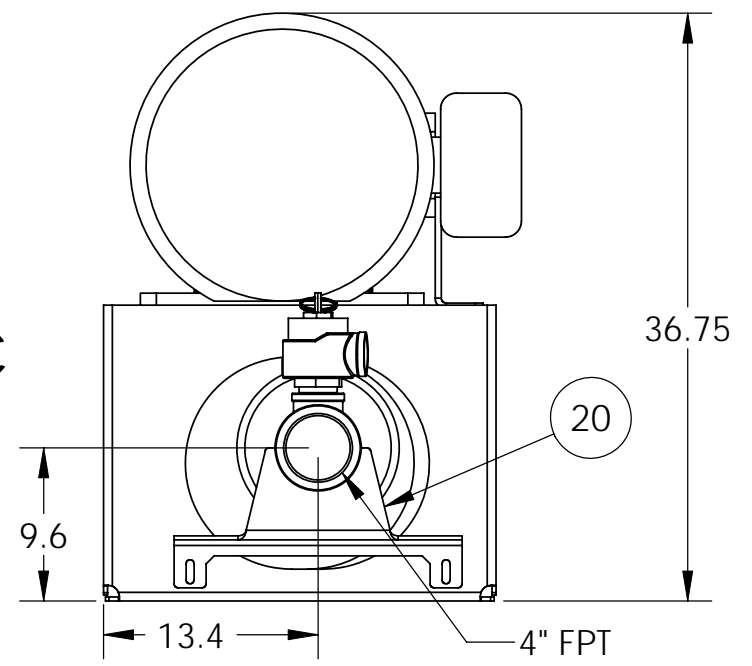
DETAIL A  
SCALE 1 : 10



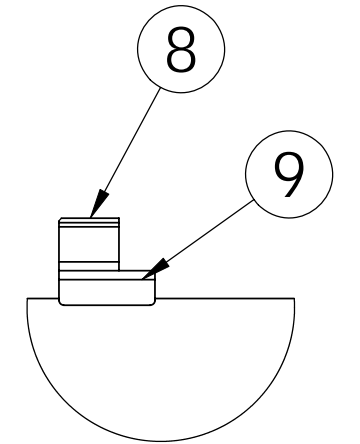
DETAIL C  
SCALE 1 : 8



LEFT SIDE VIEW




FRONT VIEW



DETAIL B  
SCALE 1 : 8

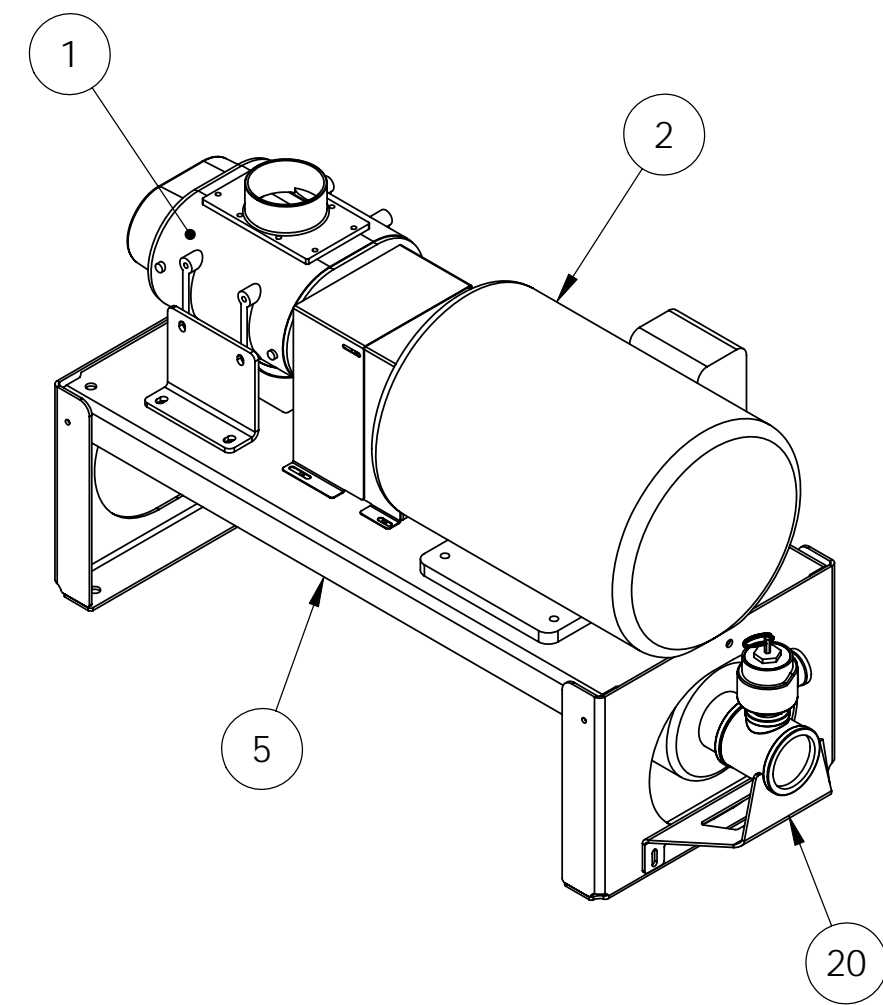
**PROPRIETARY AND CONFIDENTIAL**  
THE INFORMATION CONTAINED IN THIS DRAWING IS THE SOLE PROPERTY OF REP Inc. ANY REPRODUCTION IN PART OR AS A WHOLE WITHOUT THE WRITTEN PERMISSION OF REP Inc. IS PROHIBITED.

UNLESS OTHERWISE SPECIFIED:		DATE	NAME	 REP Inc. 2405 Murphy Blvd. Gainesville, GA 30504 800-536-9933
DIMENSIONS ARE IN INCHES TOLERANCES: FRACTIONAL ± ANGULAR: MACH ± BEND ± TWO PLACE DECIMAL ± THREE PLACE DECIMAL ±		DRAWN	AM	
INTERPRET GEOMETRIC TOLERANCING PER:		CHECKED		<b>TITLE:</b> PACKAGE, ROOTS-FLO MODEL 409 60 HP MOTOR, 364TS FR 5" INLET & 4" DISCHARGE
MATERIAL:		ENG APPR.		
FINISH:		MFG APPR.		
NEXT ASSY	USED ON	Q.A.		<b>SIZE</b> <b>B</b>
APPLICATION		COMMENTS:		<b>DWG. NO.</b> PD409FT60FC3BAH
				<b>REV</b>
				<b>SCALE:</b> 1:12 <b>WEIGHT:</b> <b>SHEET 1 OF 2</b>


DWG. NO.  
PD409FT60FC3BAH

REVISIONS				
ZONE	REV.	DESCRIPTION	DATE	APPROVED

ITEM NO.	PART NUMBER	DESCRIPTION	QTY.
1	4509 Rootsflo	4504 Rootsflo	1
2	Teco 60HP_364TS	SHORT SHAFT	1
3	BK139AF009	BKT,ROOTSFLOW,4504,4506	2
4	SD-4	Universal SD-4	1
5	BA154BF010	BASE,ROOTSFLO,4504 & 4506 DIRECT COUPLED	1
6	4 EL 90 CI		1
7	BK035A0000	BRACKET,VB,OUTBOARD ANGLE	1
8	BK039A0000	BRACKET,VB,INBOARD HANGER	1
9	BK034AF001	SILENCER VB SADDLE BRACKET, 4"L	2
10	CPL158	REXNORD,E30	1
11	BLPT30032021	CONNECTOR,ROOTSFLO,4506,4"FPT,SHORT	1
12	BLPT30031021	CONNECTOR,ROOTSFLO,4506,4"FPT,SHORT	1
13	TOE031A	NPL,4"NPTX5,TOE,BLK	1
14	TOE048A	NPL,4"NPTX3.5,TOE,BLK	1
15	HSE009	HSE,4-1/2",SILICONE,COOLANT	1
16	4x4x2 TEE		1
17	GD134BF011w	GUARD, ROOTSFLO, MTR END WELDMENT	1
18	GD134BF012w	GUARD,ROOTSFLO,BLWR END WELDMENT	1
19	VRSPK20PXX		1
20	BK200AF001	BKT,DISCH PIPE SUPPORT,4506 W/4" SILENCER	1



**PROPRIETARY AND CONFIDENTIAL**  
THE INFORMATION CONTAINED IN THIS DRAWING IS THE SOLE PROPERTY OF REP Inc. ANY REPRODUCTION IN PART OR AS A WHOLE WITHOUT THE WRITTEN PERMISSION OF REP Inc. IS PROHIBITED.

UNLESS OTHERWISE SPECIFIED:		DATE	NAME	 REP Inc. 2405 Murphy Blvd. Gainesville, GA 30504 800-536-9933
DIMENSIONS ARE IN INCHES TOLERANCES: FRACTIONAL ± ANGULAR: MACH ± BEND ± TWO PLACE DECIMAL ± THREE PLACE DECIMAL ±		DRAWN	10-31-06	
INTERPRET GEOMETRIC TOLERANCING PER:		CHECKED		
MATERIAL --		ENG APPR.		
FINISH --		MFG APPR.		
NEXT ASSY	USED ON	Q.A.		
APPLICATION		COMMENTS:		
TITLE:				
PACKAGE, ROOTS-FLO MODEL 409				
60 HP MOTOR, 364TS FR				
5" INLET & 4" DISCHARGE				
SIZE	DWG. NO.	REV		
<b>B</b>	PD409FT60FC3BAH			
SCALE: 1:12	WEIGHT:	SHEET 2 OF 2		