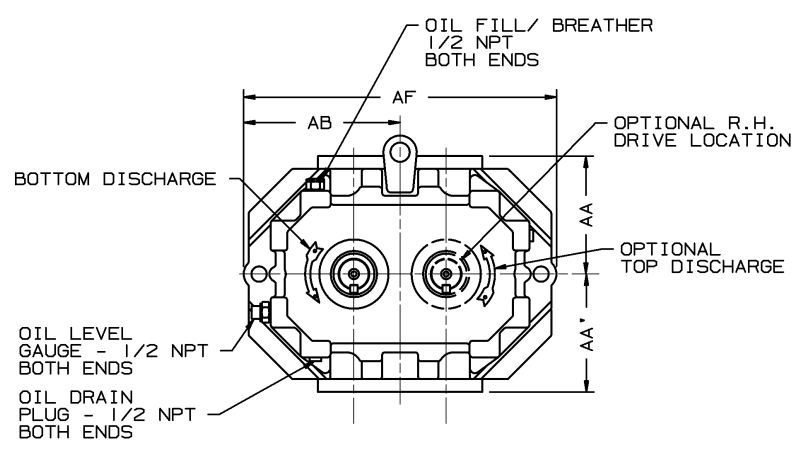


VIEW OF DISCHARGE



INLET & DISCHARGE FLANGES TO MATE FLUSH & SQUARE WITH FLAT FACE FLANGE ONLY. USE FULL FACE GASKETS.

V-BELT DRIVEN UNITS: MOTOR TO BE LOCATED ON INLET SIDE OF HORIZONTAL FLOW UNITS & ON DRIVE SHAFT SIDE OF VERTICAL FLOW UNITS.

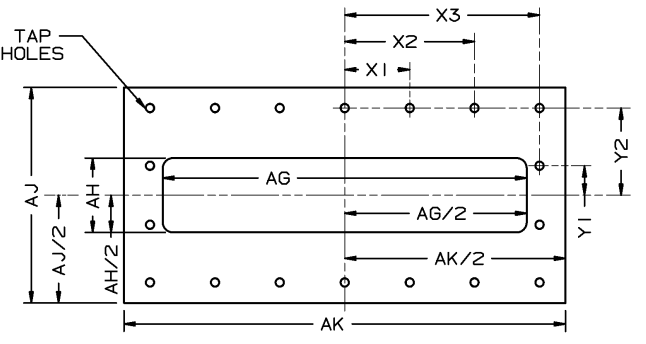
AD - MAXIMUM SHEAVE WIDTH (SEE OVERHUNG LOAD LIMIT K-24102)  
 AE - MINIMUM SHEAVE DIAMETER (SEE OVERHUNG LOAD LIMIT K-24102)

ALL DIMENSIONS IN MM, IMPERIAL DIMENSIONAL #90724021

		DRIVE LOCATION	
		LH	RH
DISCH. LOCATION	TOP	CW	CCW
	BOTTOM	CCW	CW

UNIT IS BUILT TO CUSTOMERS SPECIFIED ORIENTATION

"W" SIZE OF TAP  
 "Z" No. OF HOLES



MODEL	C	M	N	U	V	KEYWAY	AA	AA'	AB	AD	AE	AF	AG	AH	AJ	AK	JAK	APPROX WEIGHT
155	597	214	89	35.0	63.5	10.0X5.0	146	146	194	78	180	387	165	102	203	229	136 KG	
225	699	265	"	"	"	"	"	"	"	"	"	"	267	"	"	331	164 KG	
280	781	306	"	"	"	"	"	"	"	"	"	"	349	"	"	413	191 KG	
400	852	332	110	50.0	76.2	14.0X5.5	184	184	254	113	216	508	349	140	267	441	332 KG	
500	958	386	"	"	"	"	"	"	"	"	"	"	451	"	"	547	386 KG	

MODEL	X1	X2	X3	Y1	Y2	W	Z
155	83		99	32	83	M12x1.75	10
225	67	133	149	32	83	M12x1.75	14
280	89	175	191	32	83	M12x1.75	14
400	95		191	37	108	M12x1.75	14
500	81	161	241	37	108	M12x1.75	18

CERTIFIED CORRECT FOR		V-BELT DRIVE DATA	
CUSTOMER ORDER No. _____		BELTS	
ROOTS ORDER No. _____	B MODELS 155, 225, 280 "AH" WAS 70 MODELS 400 & 500 "AH" WAS 94	DAB 8202V	DRIVE SHEAVE
DATE _____	A REV. MODEL DESIGNATIONS REMOVED V UNITS "C" & "N" DIMS. CORRECTED	RDR 800IV	DRIVEN SHEAVE
	REVISIONS	BY CHANGE NOTICE	CHKD. APP. CENTER DISTANCE

**RAM X™**  
**TRI-LOBE BLOWERS**  
 METRIC  
 MODELS 155 THRU 500

**DRESSER**   Dresser ROOTS, Dresser, Inc.  
 Connersville, IN USA

RDR \_\_\_\_\_  
 DR \_\_\_\_\_

CHKD \_\_\_\_\_ APP \_\_\_\_\_

**90747021**

REV. **B**