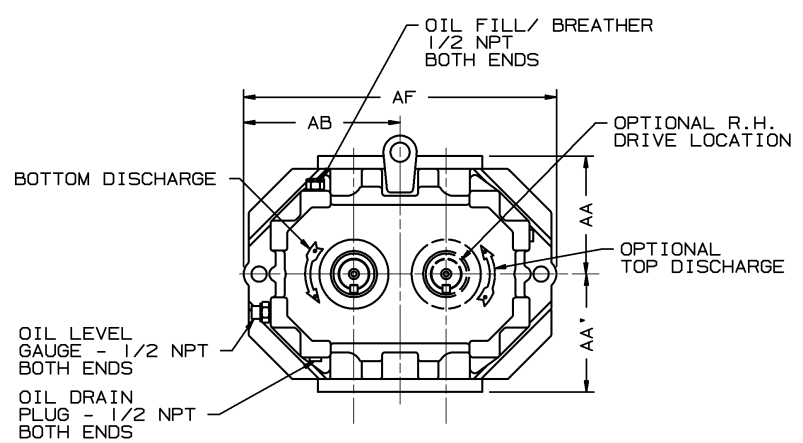


VIEW OF DISCHARGE



INLET & DISCHARGE FLANGES TO MATE FLUSH & SQUARE WITH FLAT FACE FLANGE ONLY. USE FULL FACE GASKETS.

V-BELT DRIVEN UNITS: MOTOR TO BE LOCATED ON INLET SIDE OF HORIZONTAL FLOW UNITS & ON DRIVE SHAFT SIDE OF VERTICAL FLOW UNITS.

AD - MAXIMUM SHEAVE WIDTH (SEE OVERHUNG LOAD LIMIT K-24102)

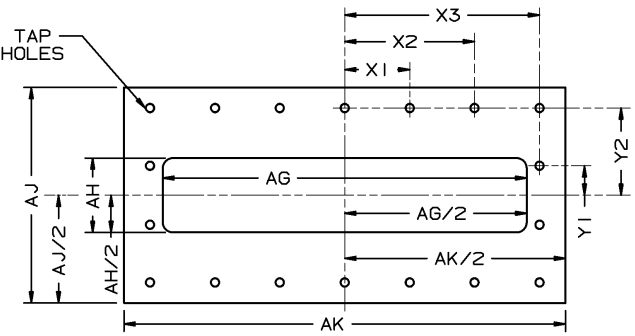
AE - MINIMUM SHEAVE DIAMETER (SEE OVERHUNG LOAD LIMIT K-24102)

ALL DIMENSIONS IN INCHES UNLESS OTHERWISE SPECIFIED METRIC DIMENSIONAL #9074-7021

		DRIVE LOCATION	
		LH	RH
DISCH. LOCATION	TOP	CW	CCW
	BOTTOM	CCW	CW

UNIT IS BUILT TO CUSTOMERS SPECIFIED ORIENTATION

"W" SIZE OF TAP
"Z" No. OF HOLES



MODEL	C	M	N	U MM	V MM	KEYWAY MM	INLET DISCH AAAA'	AB	AD	AE	AF	AG	AH	AJ	AK	APPROX WEIGHT
155	23.50	8.44	3.50	35.0	63.5	10.0X5.0	5.75 5.75	7.63	3.06	7.10	15.25	6.50	4.00	8.00	9.02	300 LBS
225	27.50	10.44	"	"	"	"	"	"	"	"	"	10.50	"	"	13.02	360 LBS
280	30.75	12.06	"	"	"	"	"	"	"	"	"	13.75	"	"	16.27	420 LBS
400	33.56	13.08	4.33	50.0	76.2	14.0X5.5	7.25 7.25	10.00	4.44	8.50	20.00	13.75	5.50	10.50	17.36	730 LBS
500	37.73	15.17	"	"	"	"	"	"	"	"	"	17.75	"	"	21.53	850 LBS

MODEL	X1	X2	X3	Y1	Y2	W	Z
155	3.25		3.88	1.25	3.25	M12x1.75	10
225	2.63	5.25	5.88	1.25	3.25	M12x1.75	14
280	3.50	6.88	7.50	1.25	3.25	M12x1.75	14
400	3.75		7.50	1.44	4.25	M12x1.75	14
500	3.17	6.33	9.50	1.44	4.25	M12x1.75	18

CERTIFIED CORRECT FOR

CUSTOMER ORDER No. _____

ROOTS ORDER No. _____

DATE _____

B	MODELS 155, 225, & 280 "AH" WAS 2.75 MODELS 400 & 500 "AH" WAS 3.69	DAB	8202V													
A	REV. MODEL DESIGNATIONS, REMOVED V. UNITS "C" & "N" DIMS CORRECTED	RDR	800IV													
	REVISIONS	BY	CHANGE NOTICE	CHKD.	APP.											

V-BELT DRIVE DATA



BELTS _____

DRIVE SHEAVE _____

DRIVEN SHEAVE _____

CENTER DISTANCE _____

RAM XTM
TRI-LOBE BLOWERS
MODELS 155 THRU 500

DRESSER   Dresser ROOTS, Dresser, Inc.
Connersville, IN USA

Roots

RDR							
DR	CHKD	APP					

90724021

REV. B

90724A21 XXAD