



UNIVERSAL SILENCER

A FLEETGUARD/NELSON COMPANY
P.O. Box 411, Stoughton, Wisconsin 53589
608-873-4272 Fax 608-873-4298

STANDARD SD-5 DISCHARGE SILENCER

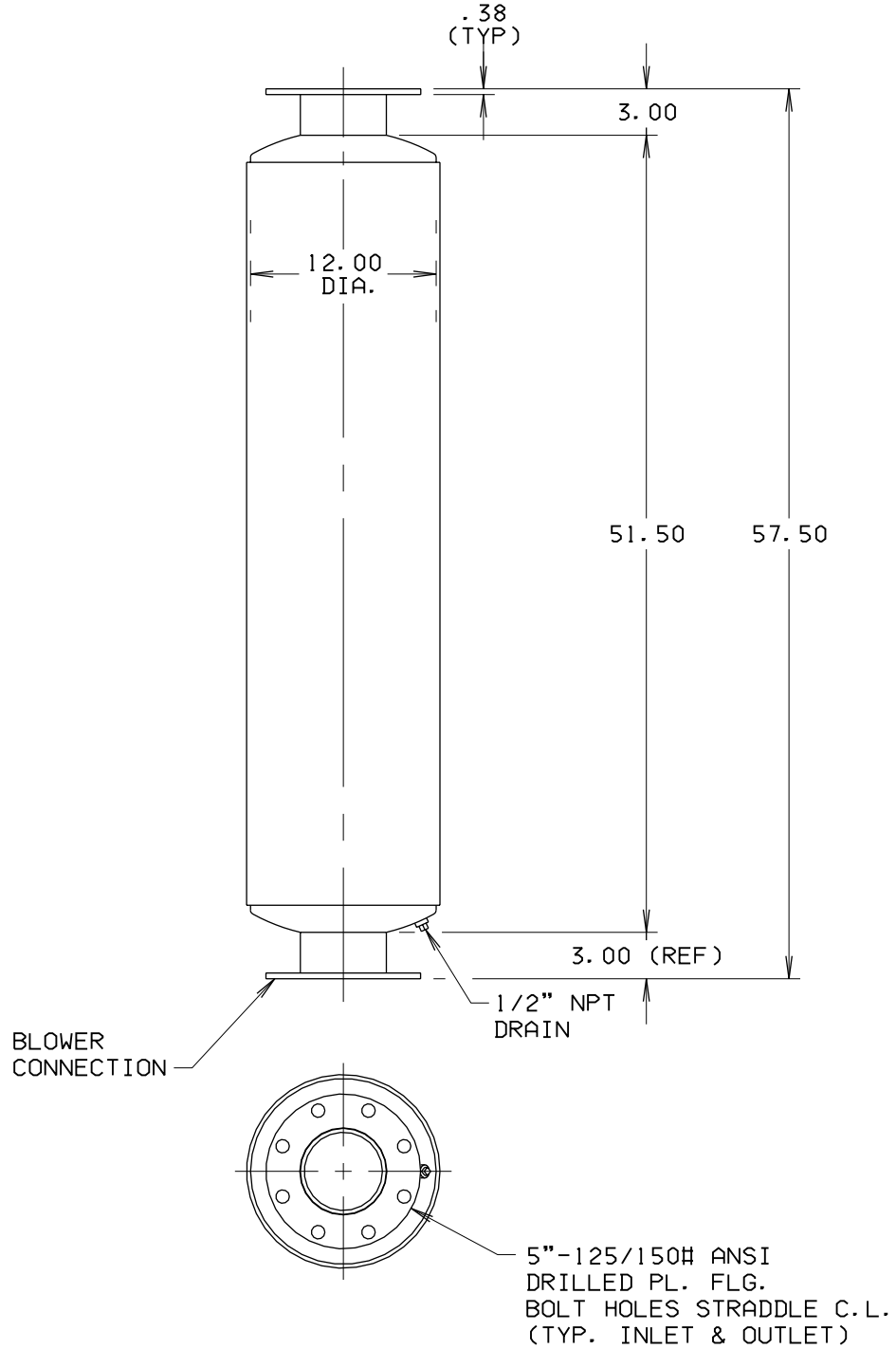
DATE 8-25-98

SHEET OF

SCALE NTS

NO.	5
REVISION	REDRAWN
DATE	8-25-98
APP'D	BGL

This document contains CONFIDENTIAL and PROPRIETARY information of Universal Silencer, a Division of Nelson Industries, Inc. Any disclosure or unauthorized use without the express written consent of Universal Silencer is PROHIBITED.



DIMENSIONAL DRAWING NO.
58-105-AA

DIMENSIONS CERTIFIED FOR:	
P. O. NO:	
U. S. S. O. NO:	
BY	

REV.	APPROX WT 75 LBS	MATERIAL STEEL	DRAWN BGL	DIMENSIONAL DRAWING NO.	REV.
5	FINISH 88-0102 SHOP COAT PRIMER		CHECK DO 8-25-98	58-105-AA	5