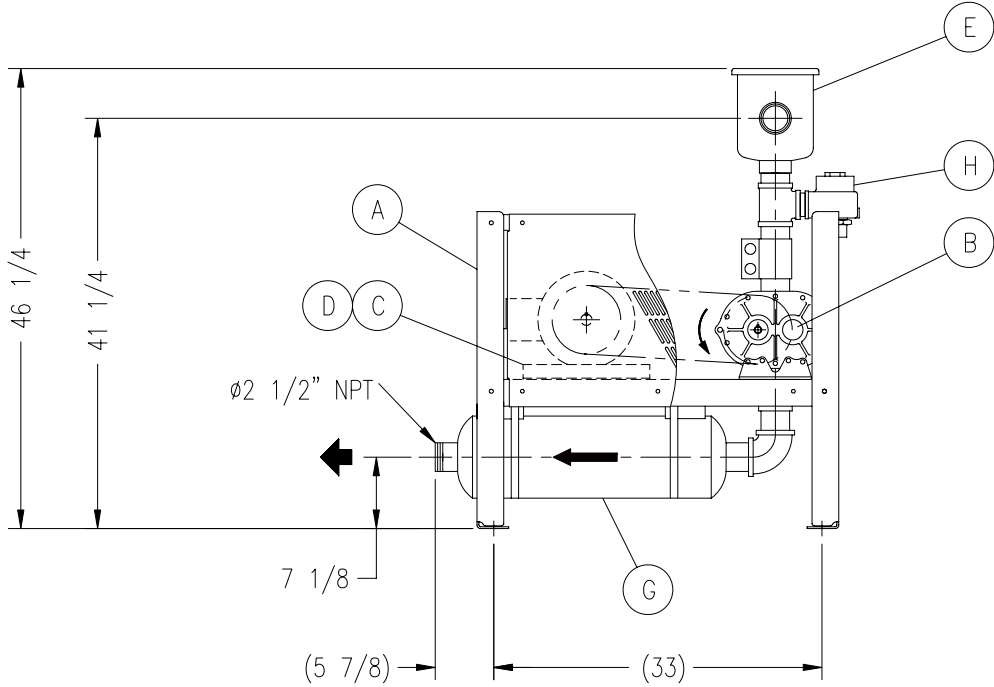


PLAN VIEW



ELEVATION VIEW

ITEM	QTY	PART NO.	DESCRIPTION	EXT	UM	MATL NO.
A	1	BA166 B 0000	BASE WELDMENT			
B	1	BLW36URAILC	BLOWER, ROOTS, 36 URAI-LHC			
C	1	MTR005T	MOTOR, AC, 5 HP, 1800 RPM, TEFC			
D	1	BSE005	BASE, MOTOR, 184T			
E	1	FLT096A	FILTER, SOLBERG, CSL-850-250HC			
F	1	PA002 N F005	VAC GAUGE ASSY, 30"-0"HGG, 2-1/2" DIA			
G	1	SIL028	SILENCER, SD-2.5, 2.5" MPT, IN LINE			
H	1	VRSVK20P10	VALVE, RELIEF, 2" SET @ 10" HGG			

- NOTE:
1. ALL DIMENSIONS ARE APPROXIMATE AND SUBJECT TO CHANGE.
  2. CERTIFIED DRAWINGS AVAILABLE UPON REQUEST.
  3. DIMENSIONS ARE IN INCHES, BRACKETED [ ] DIMENSIONS ARE MILLIMETERS.
  4. UNLESS OTHERWISE NOTED, DIMENSIONS ARE  $\pm 1/4"$ .
  5. CUSTOMER MUST SUPPORT OUTLET CONNECTION.
6. SEE SEPARATE BILL FOR DRIVE INFORMATION.

REV	DESCRIPTION	DATE	BY
		ROTATING ENGINEERED PRODUCTS, INC. 2405 MURPHY BOULEVARD GAINESVILLE, GA. 30504 TOLL FREE: (800) 536-9933, (770) 538-0020, FAX: (770) 538-0022	
SCALE: NTS		TITLE: BLOWER VACUUM PACKAGE 36 URAI, 5 HP, 184T FRAME	
DRAWN BY: BB / AM	DATE: 1-16-2006	MODEL/CUSTOMER	
CHECKED BY:	DATE:		
APPD. BY:	DATE:		
		DRAWING NO. V236URTO5N1R205	SHEET NO. 1 OF 1