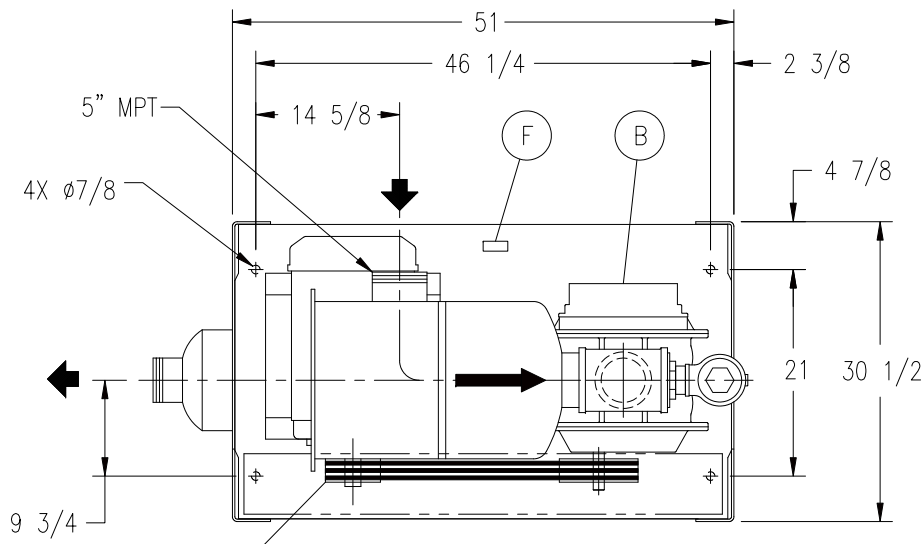
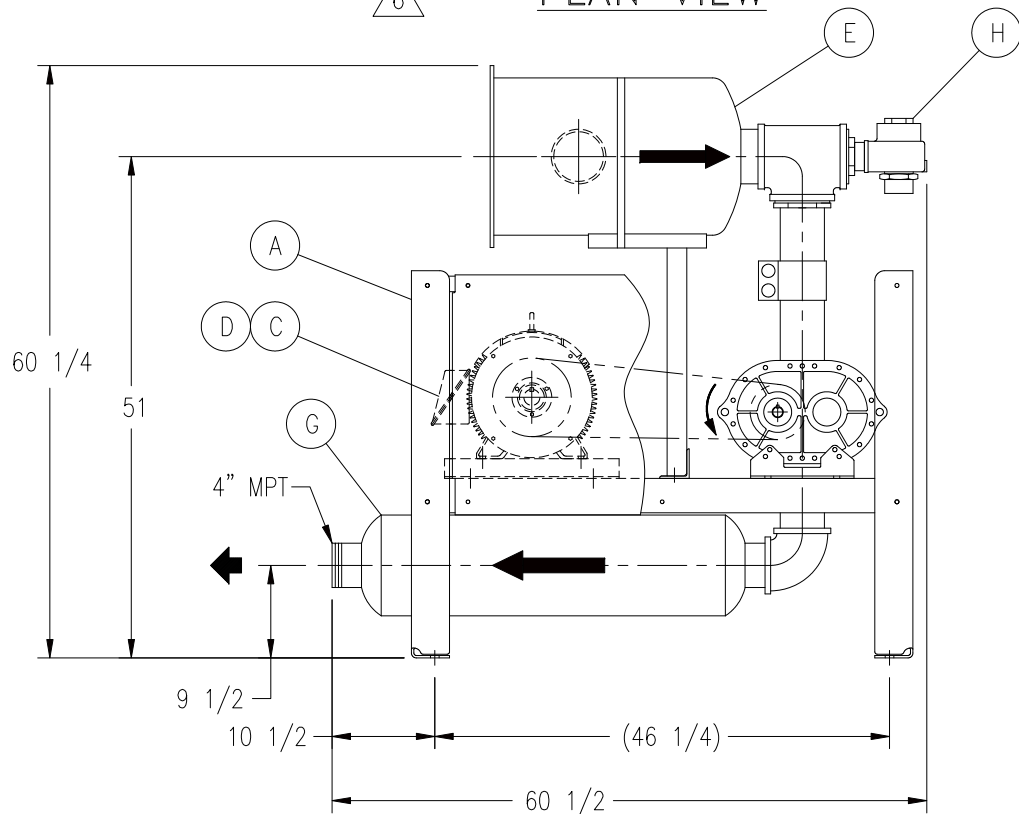


DRAWING NUMBER
V259URT25N2R2AT



PLAN VIEW




ELEVATION VIEW

ITEM	QTY	PART NO.	DESCRIPTION	EXT	UM	MATL NO.
A	1	BA154 B 0000	BASE WELDMENT			
B	1	BLW59URAILC	BLOWER, ROOTS, 59 URAI-LHC			
C	1	MTR168T	MOTOR, AC, 25 HP, 1800 RPM, TEFC			
D	1	BSE010	BASE, MOTOR, 284T			
E	1	FLT311	FILTER, SOLBERG, CSL-244P-500			
F	1	PA002 N F005	VAC GAUGE ASSY, 30"-0"HGG, 2-1/2" DIA			
G	1	SIL031	SILENCER, SD-4, 4" MPT, IN LINE			
H	1	VRSVK25P12	VALVE, RELIEF, 2-1/2" SET @ 12" HGG			

NOTE:

1. ALL DIMENSIONS ARE APPROXIMATE AND SUBJECT TO CHANGE.
 2. CERTIFIED DRAWINGS AVAILABLE UPON REQUEST.
 3. DIMENSIONS ARE IN INCHES, BRACKETED [] DIMENSIONS ARE MILLIMETERS.
 4. UNLESS OTHERWISE NOTED, DIMENSIONS ARE $\pm 1/4"$.
 5. CUSTOMER MUST SUPPORT OUTLET CONNECTION.
- △ SEE SEPARATE BILL FOR DRIVE INFORMATION.

REV	DESCRIPTION	DATE	BY
		ROTATING ENGINEERED PRODUCTS, INC. 2405 MURPHY BOULEVARD GAINESVILLE, GA. 30504 TOLL FREE: (800) 536-9933, (770) 538-0020, FAX: (770) 538-0022	
SCALE: NTS		TITLE: BLOWER VACUUM PACKAGE 59 URAI, 25 HP, 284T FRAME V2 CONFIGURATION, L/E	
DRAWN BY: BB	DATE: 5-9-2005	MODEL/CUSTOMER	
CHECKED BY:	DATE:		
APPD. BY:	DATE:	DRAWING NO. V259URT25N2R2AT	SHEET NO. REV. 1 OF 1