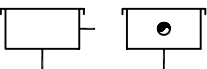


VACUUM RELIEF VALVE



INTAKE FILTER



RIGHT ANGLE LINE FILTER



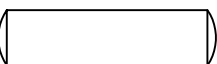
LINE FILTER



BLOWER




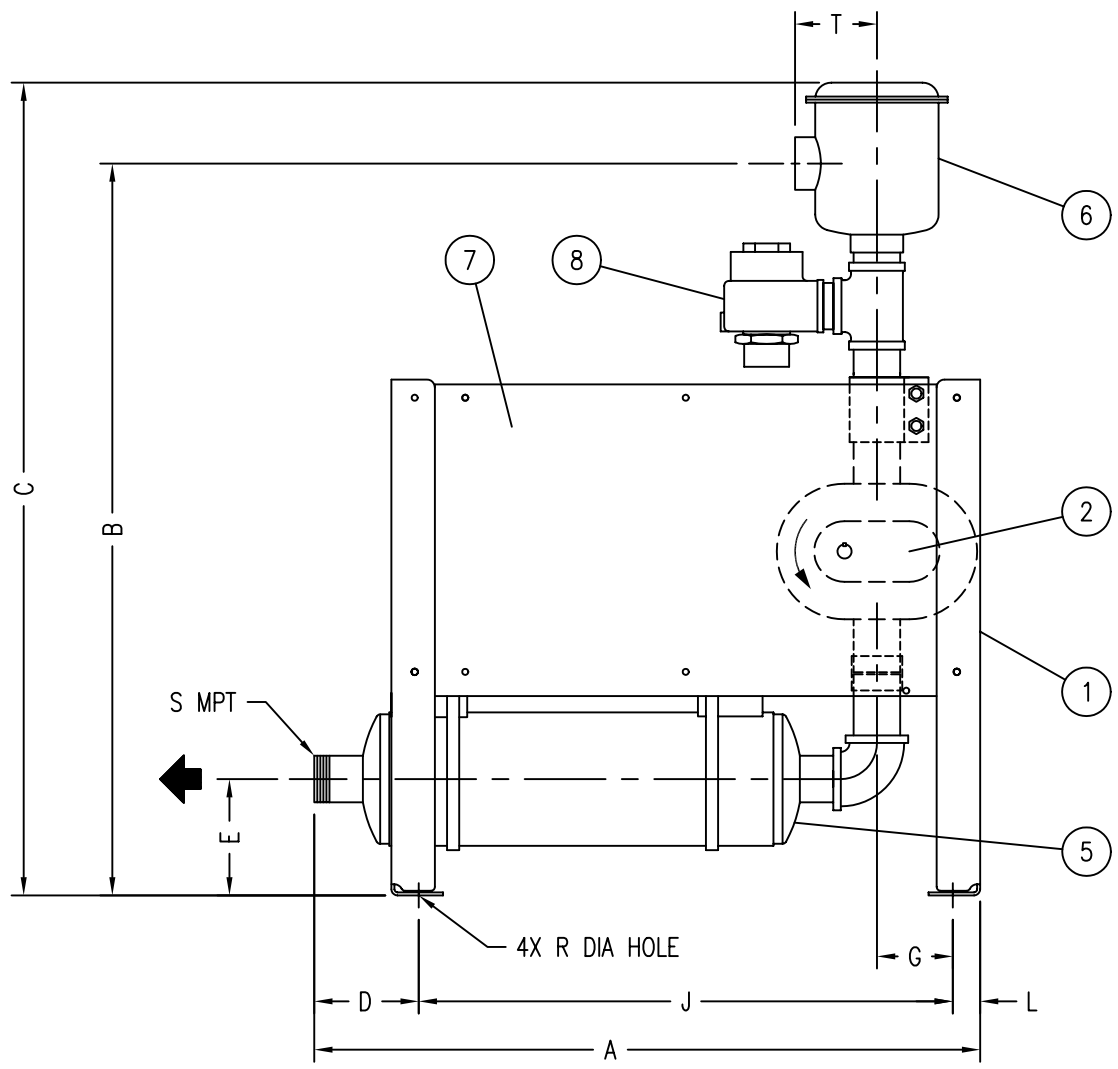
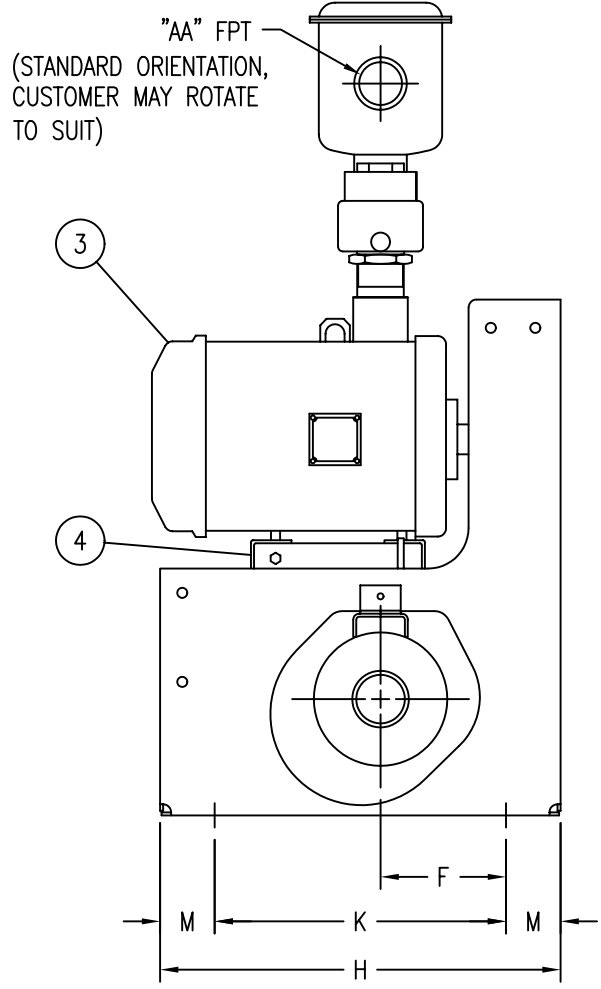
MOTOR



SILENCER

BOX IS BLUE IF ORIGINAL

A	FIGURE LABELED V4 WAS LABELED V3, ADDED FIGURES V3, V5 AND V6. MOVED DILUTION VALVE AND FILTER OF V4.	2-7-96	RMS
REV	DESCRIPTION	DATE	INIT.
		ROTATING ENGINEERED PRODUCTS, INC. 2405 MURPHY BOULEVARD GAINESVILLE, GA. 30504 TOLL FREE: (800) 536-9933, (770) 538-0020, FAX: (770) 538-0022	
SCALE:	N.T.S.	TITLE:	
DRAWN BY:	RMS	DATE:	1-6-96
CHECKED BY:		DATE:	
APPD. BY:		DATE:	
CUSTOMER NAME		DRAWING NUMBER	SHEET NO. REV.
		SD 00002 A	1 OF 1 A
VACUUM BLOWER PACKAGE CONFIGURATION DRAWING			



1. DIMENSION TOLERANCE: $\pm 1/2$, EXCEPT ANCHOR BOLT & FOOTPRINT PATTERN $\pm 1/4$.
2. INFORMATION HEREIN SUBJECT TO CHANGE WITHOUT NOTICE.
3. CONTACT FACTORY IF MOTOR OVERHANG DIMENSIONS ARE REQUIRED.
4. PACKAGE SHOWN IS A VB 34 WITH 3" COMPONENTS.

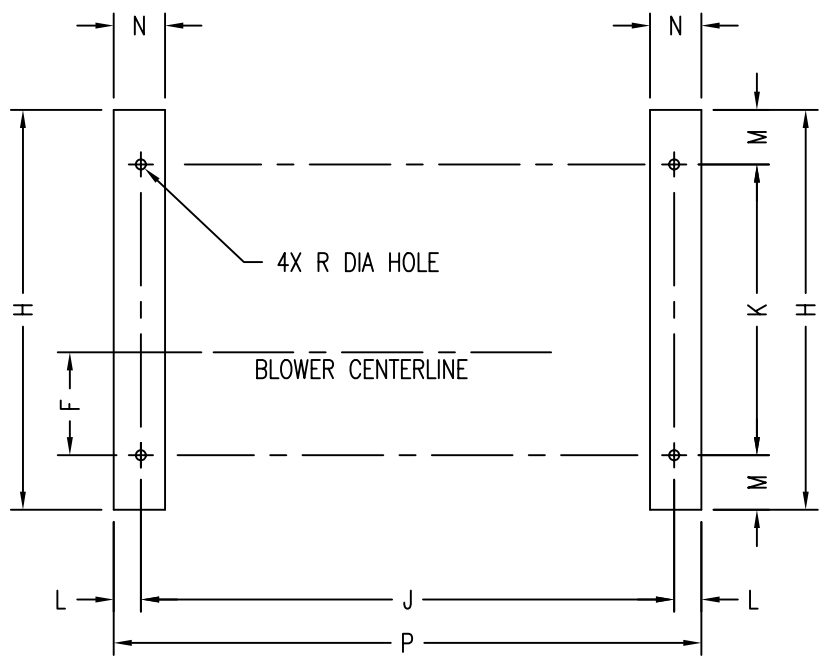
FIGURE 9, CSL FILTER, EQUAL/EQUAL
BLOWER CONNECTION 1" TO 2-1/2"

REP INC. CLAIMS PROPRIETARY RIGHTS TO THE INFORMATION DISCLOSED HEREIN. THIS INFORMATION IS LOANED FOR REFERENCE ONLY AND MAY NOT BE REPRODUCED OR USED FOR MANUFACTURING PURPOSES WITHOUT WRITTEN PERMISSION FROM REP INC.

ITEM	DESCRIPTION	ITEM	DESCRIPTION
1	BASE	6	FILTER
2	BLOWER	7	GUARD COVER
3	MOTOR	8	RELIEF VALVE
4	MOTOR SLIDE BASE		
5	DISCHARGE SILENCER		

REV	DESCRIPTION	DATE	BY
		ROTATING ENGINEERED PRODUCTS, INC. 2405 MURPHY BOULEVARD GAINESVILLE, GA. 30504 TOLL FREE: (800) 536-9933, (770) 538-0020, FAX: (770) 538-0022	
SCALE: N.T.S.		TITLE: GENERAL ARRANGEMENT DRAWING VERSABASE PACKAGE CONFIGURATION V2, FIGURE 9	
DRAWN BY: AM DATE: 5-16-2000		MODEL/CUSTOMER	
CHECKED BY:		DRAWING NO. SDBV021 A V2	
APPD. BY:		SHEET NO. REV. 1 OF 3	

TABLE-1 DIMENSION TABLE - BASE ANCHOR BOLT & FOOT PRINT PATTERN									
✓	BASE MODEL	DIMENSIONS IN INCHES							
		H	J	K	L	M	N	P	R DIA HOLE
	23	20-1/8	26-1/2	15-3/8	1-15/16	2-3/8	3-3/8	30-3/8	5/8
	34	24-3/4	33	18	1-11/16	3-3/8	3-3/16	36-3/8	5/8
	567	30-1/2	46-1/4	21	2-3/8	4-3/4	3-7/8	51	7/8



BASE ANCHOR BOLT & FOOTPRINT PATTERN

DIMENSION TOLERANCE: ±1/4


TABLE-2 VERSABASE BASE CAPACITY CHART														
✓	ROOTS MODEL NO.	SUTORBILT MODEL NO.	BLOWER NPT CONN.	BASE MODEL NO.	MOTOR HORSEPOWER									
					3	5	7.5	10	15	20	25	30	40	50
	22 URAI	2MP	1	23	X	X	X	X						
	24 URAI	2LP	2	23	X	X	X	X						
	32 URAI	3HP	1-1/4	23	X	X	X	X						
	33 URAI	3MP	2	23	X	X	X	X						
	32 URAI	3HP	1-1/4	34					X	X				
	33 URAI	3MP	2	34					X	X				
	36 URAI	3LP	2-1/2	34		X	X	X	X	X				
	42 URAI	4HP	1-1/2	34		X	X	X	X	X				
	45 URAI	4MP	2-1/2	34		X	X	X	X	X				
	53 URAI	5HP	2-1/2	567					X	X	X	X	X	X

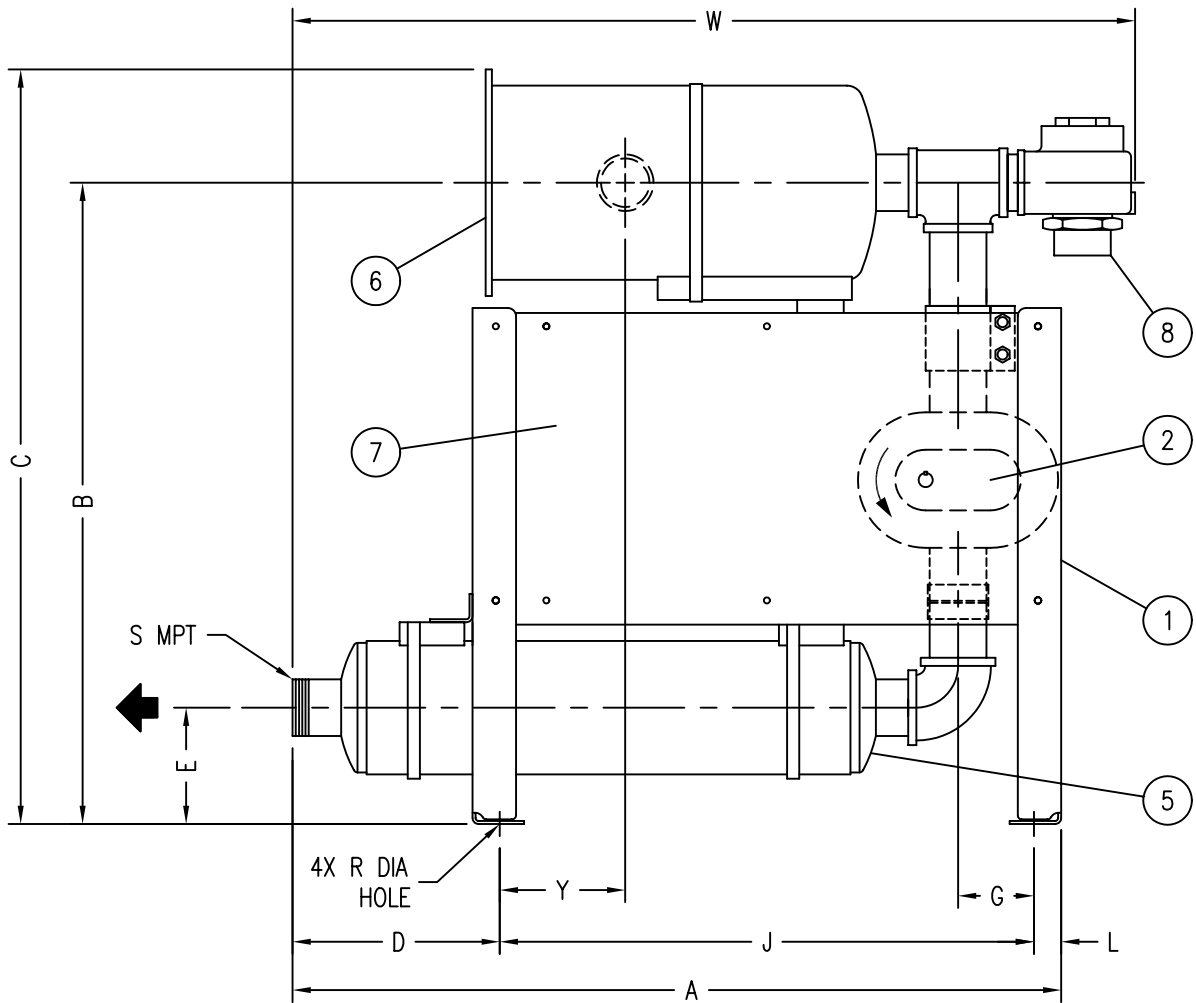
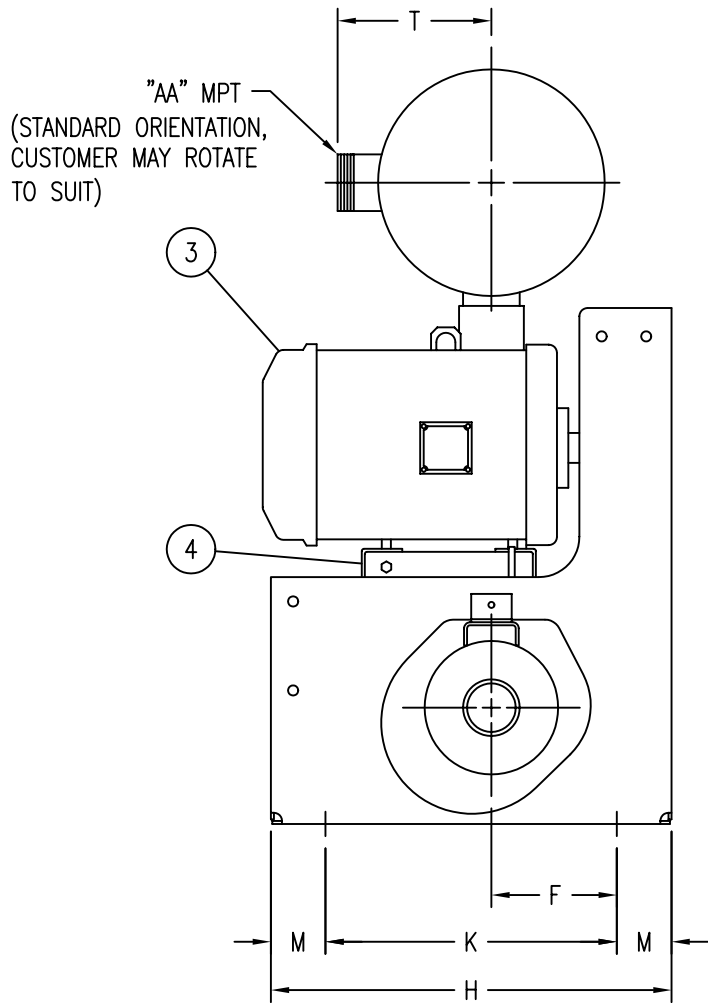
REV	DESCRIPTION	DATE	BY
		ROTATING ENGINEERED PRODUCTS, INC. 2405 MURPHY BOULEVARD GAINESVILLE, GA. 30504 TOLL FREE: (800) 536-9933, (770) 538-0020, FAX: (770) 538-0022	
		SCALE: N.I.S.	TITLE: GENERAL ARRANGEMENT DRAWING VERSABASE PACKAGE CONFIGURATION V2, FIGURE 9
DRAWN BY: AM	DATE: 5-16-2000	MODEL/CUSTOMER	DRAWING NO. SDBV021 A V2
CHECKED BY:	DATE:	SHEET NO. 2	REV. 3
APPD. BY:	DATE:		

INLET SILENCER SIZE RELATIVE TO BLOWER CONNECTION SIZE: EQUAL
DISCHARGE SILENCER SIZE RELATIVE TO BLOWER CONNECTION SIZE: EQUAL

TABLE-3 DIMENSION TABLE - VERSABASE CONFIGURATION V2, FIGURE 9, CSL FILTER															
✓	ROOTS MODEL NO.	SUTORBILT MODEL NO.	BLOWER NPT CONN.	BASE MODEL NO.	DIMENSIONS IN INCHES										
					DISCHARGE A	INLET B	HEIGHT C	DISCHARGE D	DISCHARGE E	ROOTS F	SUTORBILT F	MPT S	T	G	FPT AA
					EQUAL	EQUAL	EQUAL	EQUAL	EQUAL						
	22 URAI	2MP	1	23	27-3/4	34-1/4	36-1/4	-5/8	7	4-5/8	5-1/4	1	4-1/8	3-7/8	1
	24 URAI	2LP	2	23	40-1/2	36-1/2	41-3/4	12	5	5-5/8	6-1/4	2	4-5/8	3-7/8	2
	32 URAI	3HP	1-1/4	23	31-1/4	37-7/8	39-7/8	2-3/4	5-3/4	5-3/8	5-3/4	1-1/2	4-1/8	3-7/8	1-1/2
	33 URAI	3MP	2	23	40-1/2	38-1/2	43-3/4	12	5	5-3/4	6-1/4	2	4-5/8	3-7/8	2
	32 URAI	3HP	1-1/4	34	31-3/4	40-3/8	42-3/8	-2-7/8	8-1/8	5-3/8	5-7/8	1-1/2	4-1/8	4-5/8	1-1/2
	33 URAI	3MP	2	34	41	41	46-1/4	6-3/8	7-1/4	5-7/8	6-1/4	2	4-5/8	4-5/8	2
	36 URAI	3LP	2-1/2	34	41-3/8	42-1/4	47-1/4	6-5/8	7-1/4	7	7-5/8	2-1/2	5-1/8	4-5/8	2-1/2
	42 URAI	4HP	1-1/2	34	31-3/4	41-1/2	43-1/2	-2-7/8	8-1/8	5-3/4	6-1/2	1-1/2	4-1/8	4-5/8	1-1/2
	45 URAI	4MP	2-1/2	34	41-3/8	44	49	6-5/8	7-1/4	7-1/8	7-5/8	2-1/2	5-1/8	4-5/8	2-1/2
	53 URAI	5HP	2-1/2	567	46-1/4	48-5/8	53-5/8	-2-3/8	10-1/2	6-3/4	8	2-1/2	5-1/8	8-7/8	2-1/2

FIGURE 9, CSL FILTER, EQUAL/EQUAL, BLOWER CONNECTION 1" TO 2-1/2"

REV	DESCRIPTION	DATE	BY
		ROTATING ENGINEERED PRODUCTS, INC. 2405 MURPHY BOULEVARD GAINESVILLE, GA. 30504 TOLL FREE: (800) 536-9933, (770) 538-0020, FAX: (770) 538-0022	
SCALE: N.T.S.		TITLE: GENERAL ARRANGEMENT DRAWING VERSABASE PACKAGE CONFIGURATION V2, FIGURE 9	
DRAWN BY: AM	DATE: 5-16-2000	MODEL/CUSTOMER	
CHECKED BY:	DATE:		
APPD. BY:	DATE:		
DRAWING NO. SDBV021 A V2		SHEET NO. 3 OF 3	REV.



1. DIMENSION TOLERANCE: $\pm 1/2$, EXCEPT ANCHOR BOLT & FOOTPRINT PATTERN $\pm 1/4$.
2. INFORMATION HEREIN SUBJECT TO CHANGE WITHOUT NOTICE.
3. CONTACT FACTORY IF MOTOR OVERHANG DIMENSIONS ARE REQUIRED.
4. PACKAGE SHOWN IS A VB 34 WITH 3" COMPONENTS.

FIGURE 10, CSL FILTER, EQUAL/EQUAL
BLOWER CONNECTION 3" TO 5"

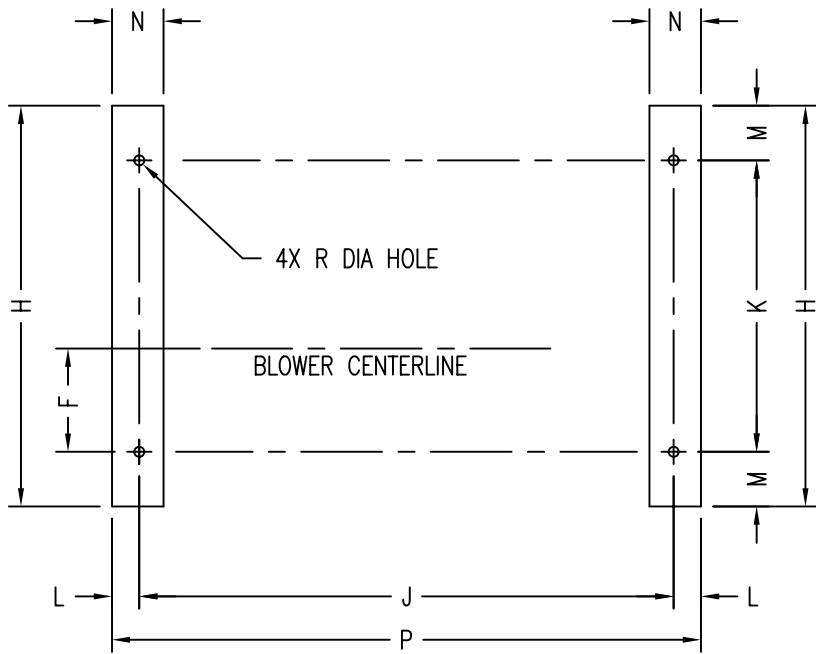
REP INC. CLAIMS PROPRIETARY RIGHTS TO THE INFORMATION DISCLOSED HEREIN. THIS INFORMATION IS LOANED FOR REFERENCE ONLY AND MAY NOT BE REPRODUCED OR USED FOR MANUFACTURING PURPOSES WITHOUT WRITTEN PERMISSION FROM REP INC.

BOX IS BLUE IF ORIGINAL

ITEM	DESCRIPTION	ITEM	DESCRIPTION
1	BASE	6	FILTER
2	BLOWER	7	GUARD COVER
3	MOTOR	8	RELIEF VALVE
4	MOTOR SLIDE BASE		
5	DISCHARGE SILENCER		

REV	DESCRIPTION	DATE	BY
SCALE: N.T.S.		TITLE: GENERAL ARRANGEMENT DRAWING VERSABASE PACKAGE CONFIGURATION V2, FIGURE 10	
DRAWN BY: AM DATE: 5-16-2000		MODEL/CUSTOMER	
CHECKED BY:		DRAWING NO. SDBV022 A V2	
APPD. BY:		SHEET NO. REV. 1 OF 3	
		ROTATING ENGINEERED PRODUCTS, INC. 2405 MURPHY BOULEVARD GAINESVILLE, GA. 30504 TOLL FREE: (800) 536-9933, (770) 538-0020, FAX: (770) 538-0022	


TABLE-1 DIMENSION TABLE - BASE ANCHOR BOLT & FOOT PRINT PATTERN									
✓ BASE MODEL	DIMENSIONS IN INCHES								
	H	J	K	L	M	N	P	R DIA HOLE	
23	20-1/8	26-1/2	15-3/8	1-15/16	2-3/8	3-3/8	30-3/8	5/8	
34	24-3/4	33	18	1-11/16	3-3/8	3-3/16	36-3/8	5/8	
567	30-1/2	46-1/4	21	2-3/8	4-3/4	3-7/8	51	7/8	



BASE ANCHOR BOLT & FOOTPRINT PATTERN

DIMENSION TOLERANCE: ±1/4

TABLE-2 VERSABASE BASE CAPACITY CHART																
✓	ROOTS MODEL NO.	SUTORBILT MODEL NO.	BLOWER NPT CONN.	BASE MODEL NO.	MOTOR HORSEPOWER											
					3	5	7.5	10	15	20	25	30	40	50		
	47 URAI	4LP	3	34		X	X	X	X	X						
	56 URAI	5MP	4	567					X	X	X	X	X	X	X	X
	59 URAI	5LP	4	567					X	X	X	X	X	X	X	X
	65 URAI	6HP	3	567					X	X	X	X	X	X	X	X
	68 URAI	6MP	5	567					X	X	X	X	X	X	X	X
	76 URAI	7HP	4	567					X	X	X	X	X	X	X	X


REV	DESCRIPTION	DATE	BY
		ROTATING ENGINEERED PRODUCTS, INC. 2405 MURPHY BOULEVARD GAINESVILLE, GA. 30504 TOLL FREE: (800) 536-9933, (770) 538-0020, FAX: (770) 538-0022	
		SCALE: N.T.S.	TITLE: GENERAL ARRANGEMENT DRAWING VERSABASE PACKAGE CONFIGURATION V2, FIGURE 10
DRAWN BY: AM	DATE: 5-16-2000		
CHECKED BY:	DATE:		
APPD. BY:	DATE:	MODEL/CUSTOMER	DRAWING NO. SDBV022 A V2
		SHEET NO. 2 OF 3	REV.

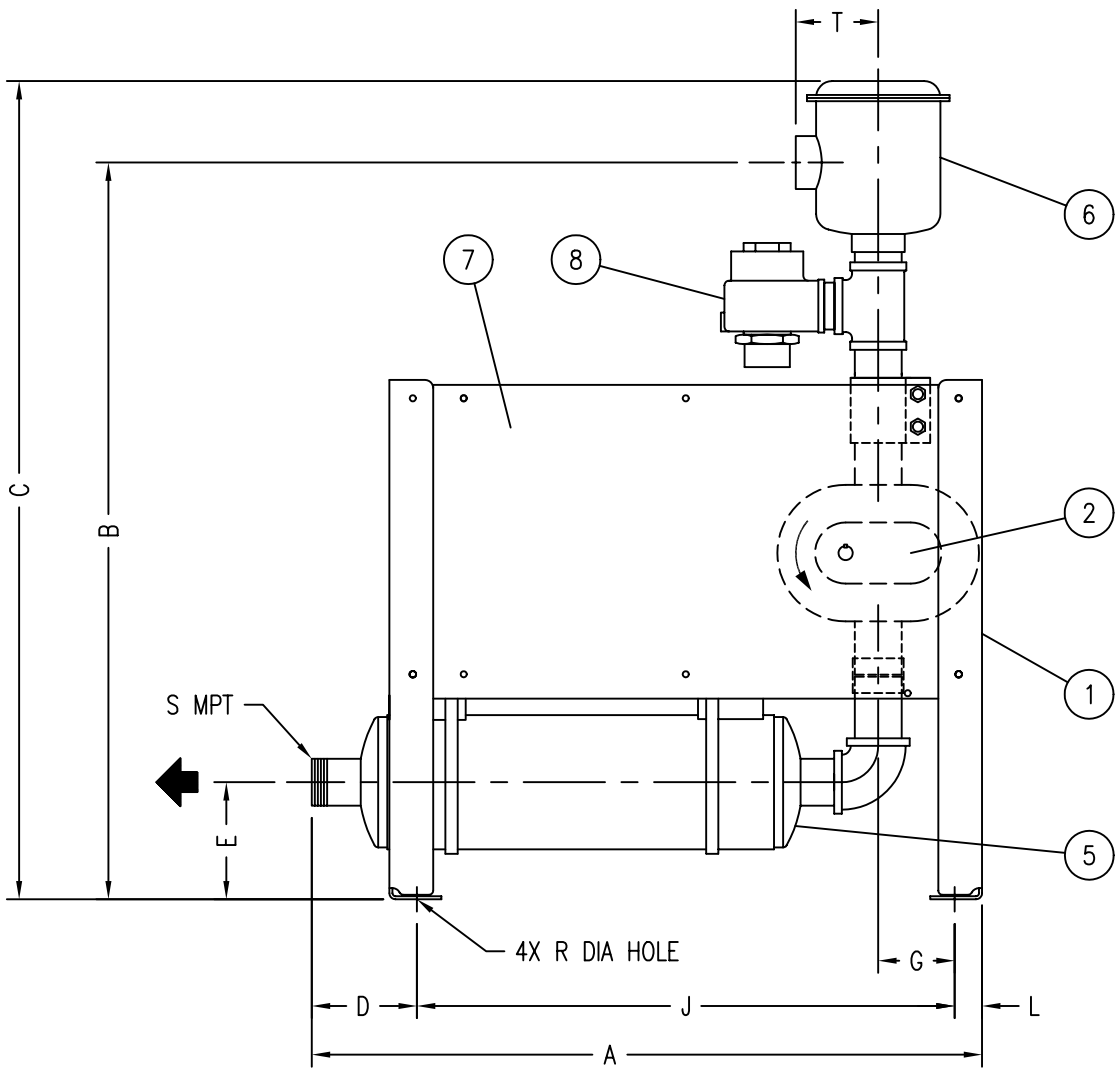
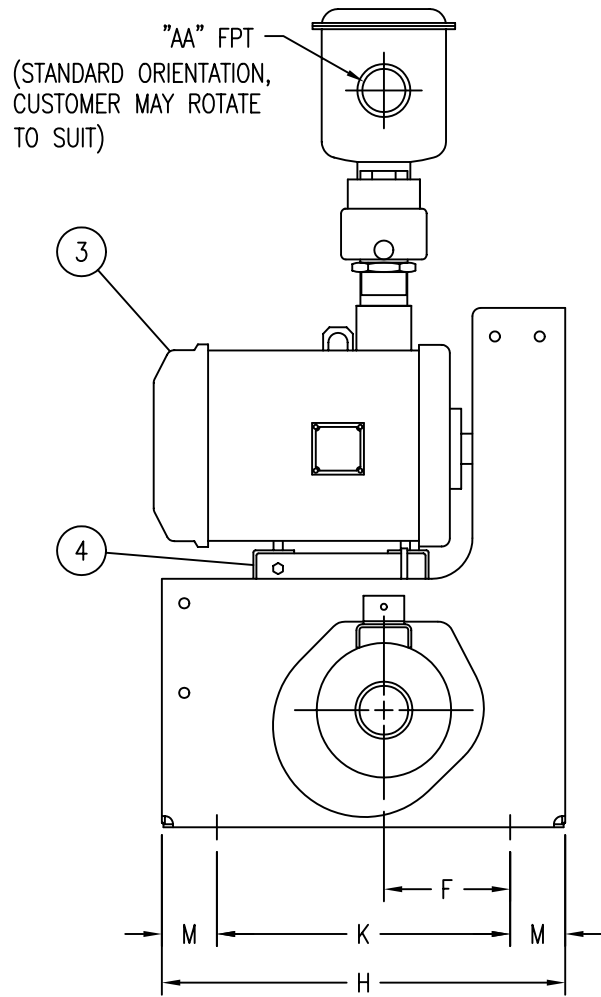
INLET SILENCER SIZE RELATIVE TO BLOWER CONNECTION SIZE: EQUAL
DISCHARGE SILENCER SIZE RELATIVE TO BLOWER CONNECTION SIZE: EQUAL

TABLE-3 DIMENSION TABLE - VERSABASE CONFIGURATION V2, FIGURE 10, CSL FILTER

✓	ROOTS MODEL NO.	SUTORBILT MODEL NO.	BLOWER NPT CONN.	BASE MODEL NO.	DIMENSIONS IN INCHES												
					DISCHARGE A	INLET B	HEIGHT C	DISCHARGE D	DISCHARGE E	ROOTS F	SUTORBILT F	MPT S	T	G	W	Y	MPT AA
					EQUAL	EQUAL	EQUAL	EQUAL	EQUAL								
	47 URAI	4LP	3	34	47-1/2	39-5/8	46-5/8	12-7/8	7-1/4	8	8-7/8	3	9	4-5/8	52-1/4	7-5/8	3
	56 URAI	5MP	4	567	59-1/8	48-7/8	55-7/8	10-1/2	9-1/2	8-1/8	9	4	9	8-7/8	60-1/2	16-1/4	4
	59 URAI	5LP	4	567	59-1/8	48-7/8	55-7/8	10-1/2	9-1/2	9-5/8	11	4	9	8-7/8	60-1/2	16-1/4	4
	65 URAI	6HP	3	567	52-3/8	48-7/8	55-7/8	3-3/4	10-1/2	8	8-1/2	3	9	8-7/8	52-3/8	16-3/4	3
	68 URAI	6MP	5	567	72-1/8	51	60-1/4	23-1/2	8-3/8	9-1/2	10-1/4	5	11	8-7/8	74 1/4	14-1/2	5
	76 URAI	7HP	4	567	59-1/8	48-7/8	55-7/8	10-1/2	9-1/2	8-1/4	9-1/8	4	9	8-7/8	60-1/2	16-1/4	4

FIGURE 10, CSL FILTER, EQUAL/EQUAL, BLOWER CONNECTION 3" TO 5"

REV	DESCRIPTION	DATE	BY
		ROTATING ENGINEERED PRODUCTS, INC. 2405 MURPHY BOULEVARD GAINESVILLE, GA. 30504 TOLL FREE: (800) 536-9933, (770) 538-0020, FAX: (770) 538-0022	
SCALE: N.T.S.		TITLE: GENERAL ARRANGEMENT DRAWING VERSABASE PACKAGE CONFIGURATION V2, FIGURE 10	
DRAWN BY: AM	DATE: 5-16-2000	MODEL/CUSTOMER DRAWING NO. SDBV022 A V2	
CHECKED BY:	DATE:		
APPD. BY:	DATE:		
		SHEET NO. 3 OF 3	REV.



1. DIMENSION TOLERANCE: $\pm 1/2$, EXCEPT ANCHOR BOLT & FOOTPRINT PATTERN $\pm 1/4$.
2. INFORMATION HEREIN SUBJECT TO CHANGE WITHOUT NOTICE.
3. CONTACT FACTORY IF MOTOR OVERHANG DIMENSIONS ARE REQUIRED.
4. PACKAGE SHOWN IS A VB 34 WITH 3" COMPONENTS.

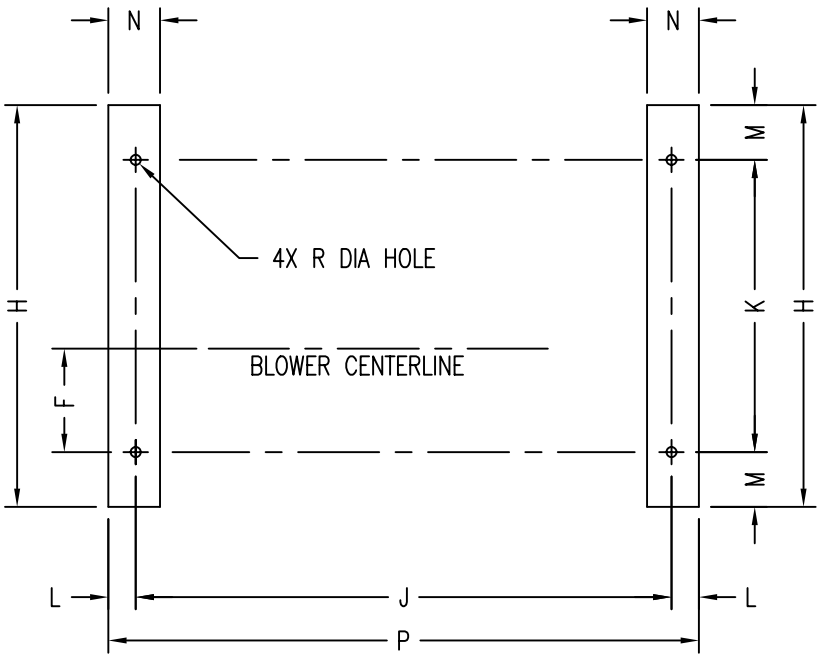
FIGURE 11, CSL FILTER, LARGER/EQUAL BLOWER CONNECTION 1" TO 2"

REP INC. CLAIMS PROPRIETARY RIGHTS TO THE INFORMATION DISCLOSED HEREIN. THIS INFORMATION IS LOANED FOR REFERENCE ONLY AND MAY NOT BE REPRODUCED OR USED FOR MANUFACTURING PURPOSES WITHOUT WRITTEN PERMISSION FROM REP INC.

ITEM	DESCRIPTION	ITEM	DESCRIPTION
1	BASE	6	FILTER
2	BLOWER	7	GUARD COVER
3	MOTOR	8	RELIEF VALVE
4	MOTOR SLIDE BASE		
5	DISCHARGE SILENCER		


REV	DESCRIPTION	DATE	BY
		ROTATING ENGINEERED PRODUCTS, INC. 2405 MURPHY BOULEVARD GAINESVILLE, GA. 30504 TOLL FREE: (800) 536-9933, (770) 538-0020, FAX: (770) 538-0022	
		SCALE: N.T.S. TITLE:	
DRAWN BY: AM DATE: 5-16-2000		GENERAL ARRANGEMENT DRAWING VERSABASE PACKAGE CONFIGURATION V2, FIGURE 11	
CHECKED BY: DATE:			
APPD. BY: DATE:		MODEL/CUSTOMER	DRAWING NO. SDBV023 A V2
		SHEET NO. 1 OF 3	REV.

TABLE-1 DIMENSION TABLE - BASE ANCHOR BOLT & FOOT PRINT PATTERN									
✓	BASE MODEL	DIMENSIONS IN INCHES							
		H	J	K	L	M	N	P	R DIA HOLE
	23	20-1/8	26-1/2	15-3/8	1-15/16	2-3/8	3-3/8	30-3/8	5/8
	34	24-3/4	33	18	1-11/16	3-3/8	3-3/16	36-3/8	5/8
	567	30-1/2	46-1/4	21	2-3/8	4-3/4	3-7/8	51	7/8



BASE ANCHOR BOLT & FOOTPRINT PATTERN
 DIMENSION TOLERANCE: ±1/4


TABLE-2 VERSABASE BASE CAPACITY CHART																	
✓	ROOTS MODEL NO.	SUTORBILT MODEL NO.	BLOWER NPT CONN.	BASE MODEL NO.	MOTOR HORSEPOWER												
					3	5	7.5	10	15	20	25	30	40	50			
	22 URAI	2MP	1	23	X	X	X	X									
	24 URAI	2LP	2	23	X	X	X	X									
	32 URAI	3HP	1-1/4	23	X	X	X	X									
	32 URAI	3HP	2	23	X	X	X	X									
	32 URAI	3HP	1-1/4	34					X	X							
	33 URAI	3MP	2	34					X	X							
	42 URAI	4HP	1-1/2	34		X	X	X	X	X							

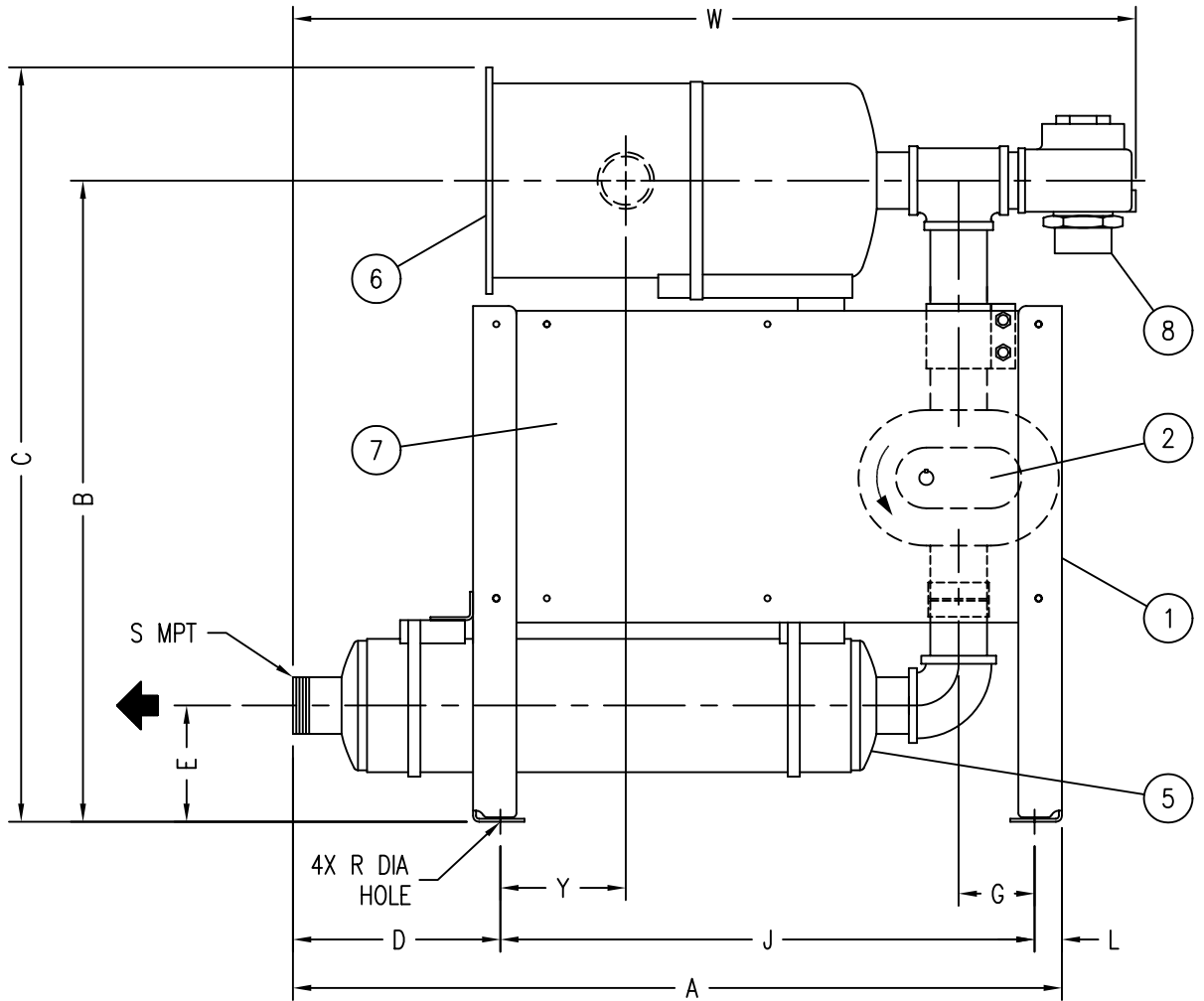
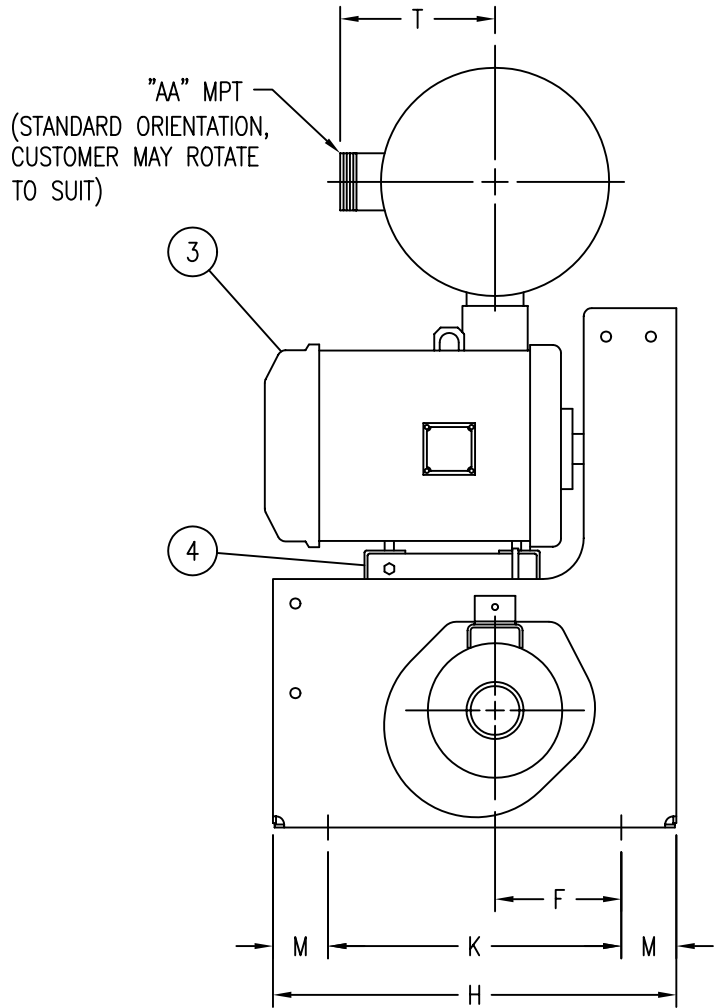
REV	DESCRIPTION	DATE	BY
		ROTATING ENGINEERED PRODUCTS, INC. 2405 MURPHY BOULEVARD GAINESVILLE, GA. 30504 TOLL FREE: (800) 536-9933, (770) 538-0020, FAX: (770) 538-0022	
		SCALE: N.T.S.	TITLE: GENERAL ARRANGEMENT DRAWING VERSABASE PACKAGE CONFIGURATION V2, FIGURE 11
DRAWN BY: AM	DATE: 5-16-2000	MODEL/CUSTOMER	DRAWING NO. SDBV023 A V2
CHECKED BY:	DATE:	SHEET NO. 2 OF 3	REV.
APPD. BY:	DATE:		

INLET SILENCER SIZE RELATIVE TO BLOWER CONNECTION SIZE: LARGER
DISCHARGE SILENCER SIZE RELATIVE TO BLOWER CONNECTION SIZE: EQUAL

TABLE-3 DIMENSION TABLE - VERSABASE CONFIGURATION V2, FIGURE 11, CSL FILTER															
✓	ROOTS MODEL NO.	SUTORBILT MODEL NO.	BLOWER NPT CONN.	BASE MODEL NO.	DIMENSIONS IN INCHES										
					DISCHARGE A	INLET B	HEIGHT C	DISCHARGE D	DISCHARGE E	ROOTS F	SUTORBILT F	MPT S	T	G	FPT AA
					EQUAL	(LARGER)	(LARGER)	EQUAL	EQUAL						
	22 URAI	2MP	1	23	27-3/4	36	38	-5/8	7	4-5/8	5-1/4	1	4-1/8	3-7/8	1-1/2
	24 URAI	2LP	2	23	40-1/2	38-3/4	43-3/4	12	5	5-5/8	6-1/4	2	5-1/8	3-7/8	2-1/2
	32 URAI	3HP	1-1/4	23	31-1/4	39-1/4	44-1/2	2-3/4	5-3/4	5-3/8	5-3/4	1-1/2	4-5/8	3-7/8	2
	33 URAI	3MP	2	23	40-1/2	40-3/4	45-3/4	12	5	5-3/4	6-1/4	2	5-1/8	3-7/8	2-1/2
	32 URAI	3HP	1-1/4	34	31-3/4	41-3/4	47	-2-7/8	8-1/8	5-3/8	5-7/8	1-1/2	4-5/8	4-5/8	2
	33 URAI	3MP	2	34	41	43-1/4	48-1/4	6-3/8	7-1/4	5-7/8	6-1/4	2	5-1/8	4-5/8	2-1/2
	42 URAI	4HP	1-1/2	34	31-3/4	42-3/4	48	-2-7/8	8-1/8	5-3/4	6-1/2	1-1/2	4-5/8	4-5/8	2

FIGURE 11, CSL FILTER, LARGER/EQUAL, BLOWER CONNECTION 1" TO 2"

REV	DESCRIPTION	DATE	BY
		ROTATING ENGINEERED PRODUCTS, INC. 2405 MURPHY BOULEVARD GAINESVILLE, GA. 30504 TOLL FREE: (800) 536-9933, (770) 538-0020, FAX: (770) 538-0022	
SCALE:	N.T.S.	TITLE:	
DRAWN BY:	AM	DATE:	5-16-2000
CHECKED BY:		DATE:	
APPD. BY:		DATE:	
MODEL/CUSTOMER		DRAWING NO.	SHEET NO. REV.
		SDBV023 A V2	3 OF 3



1. DIMENSION TOLERANCE: $\pm 1/2$, EXCEPT ANCHOR BOLT & FOOTPRINT PATTERN $\pm 1/4$.
2. INFORMATION HEREIN SUBJECT TO CHANGE WITHOUT NOTICE.
3. CONTACT FACTORY IF MOTOR OVERHANG DIMENSIONS ARE REQUIRED.
4. PACKAGE SHOWN IS A VB 34 WITH 3" & 4" COMPONENTS.

FIGURE 12, CSL FILTER, LARGER/EQUAL
BLOWER CONNECTION 2-1/2" TO 4"

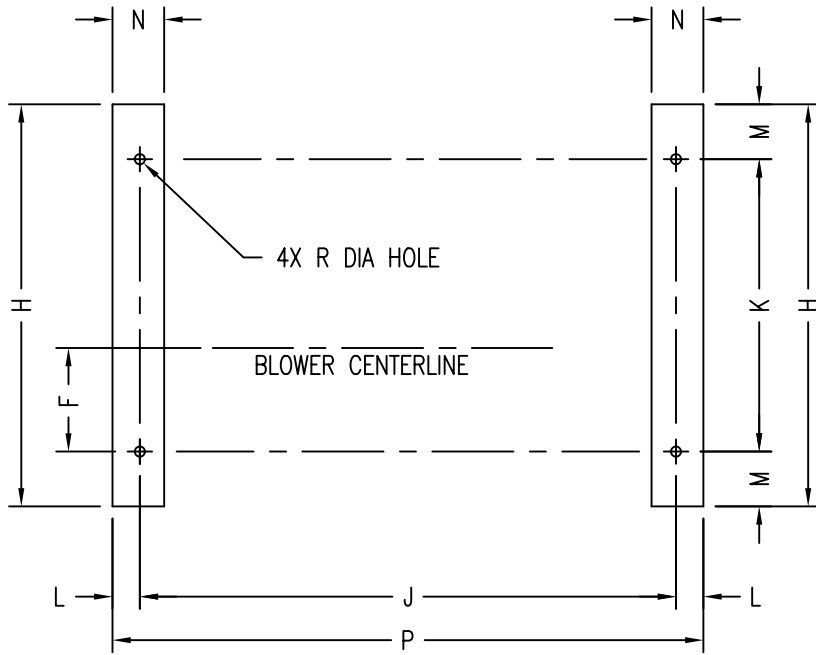
REP INC. CLAIMS PROPRIETARY RIGHTS TO THE INFORMATION DISCLOSED HEREIN. THIS INFORMATION IS LOANED FOR REFERENCE ONLY AND MAY NOT BE REPRODUCED OR USED FOR MANUFACTURING PURPOSES WITHOUT WRITTEN PERMISSION FROM REP INC.

BOX IS BLUE IF ORIGINAL

ITEM	DESCRIPTION	ITEM	DESCRIPTION
1	BASE	6	FILTER
2	BLOWER	7	GUARD COVER
3	MOTOR	8	RELIEF VALVE
4	MOTOR SLIDE BASE		
5	DISCHARGE SILENCER		

REV	DESCRIPTION	DATE	BY
		ROTATING ENGINEERED PRODUCTS, INC. 2405 MURPHY BOULEVARD GAINESVILLE, GA. 30504 TOLL FREE: (800) 536-9933, (770) 538-0020, FAX: (770) 538-0022	
SCALE: N.T.S.		TITLE: GENERAL ARRANGEMENT DRAWING VERSABASE PACKAGE CONFIGURATION V2, FIGURE 12	
DRAWN BY: AM	DATE: 5-16-2000	MODEL/CUSTOMER	DRAWING NO. SDBV024 A V2
CHECKED BY:	DATE:		SHEET NO. REV. 1 OF 3
APPD. BY:	DATE:		


TABLE-1 DIMENSION TABLE - BASE ANCHOR BOLT & FOOT PRINT PATTERN									
✓ BASE MODEL	DIMENSIONS IN INCHES								
	H	J	K	L	M	N	P	R DIA HOLE	
23	20-1/8	26-1/2	15-3/8	1-15/16	2-3/8	3-3/8	30-3/8	5/8	
34	24-3/4	33	18	1-11/16	3-3/8	3-3/16	36-3/8	5/8	
567	30-1/2	46-1/4	21	2-3/8	4-3/4	3-7/8	51	7/8	



BASE ANCHOR BOLT & FOOTPRINT PATTERN

DIMENSION TOLERANCE: ±1/4

TABLE-2 VERSABASE BASE CAPACITY CHART																
✓	ROOTS MODEL NO.	SUTORBILT MODEL NO.	BLOWER NPT CONN.	BASE MODEL NO.	MOTOR HORSEPOWER											
					3	5	7.5	10	15	20	25	30	40	50		
	36 URAI	3LP	2-1/2	34		X	X	X	X	X						
	45 URAI	4MP	2-1/2	34		X	X	X	X	X						
	47 URAI	4LP	3	34		X	X	X	X	X						
	53 URAI	5HP	2-1/2	567					X	X	X	X	X	X	X	X
	56 URAI	5MP	4	567					X	X	X	X	X	X	X	X
	59 URAI	5LP	4	567					X	X	X	X	X	X	X	X
	65 URAI	6HP	3	567					X	X	X	X	X	X	X	X
	76 URAI	7HP	4	567					X	X	X	X	X	X	X	X


REV	DESCRIPTION	DATE	BY
		ROTATING ENGINEERED PRODUCTS, INC. 2405 MURPHY BOULEVARD GAINESVILLE, GA. 30504 TOLL FREE: (800) 536-9933, (770) 538-0020, FAX: (770) 538-0022	
		SCALE: N.T.S.	TITLE: GENERAL ARRANGEMENT DRAWING VERSABASE PACKAGE CONFIGURATION V2, FIGURE 12
DRAWN BY: AM	DATE: 5-16-2000	MODEL/CUSTOMER	DRAWING NO. SDBV024 A V2
CHECKED BY:	DATE:	SHEET NO. 2	REV. 3
APPD. BY:	DATE:		

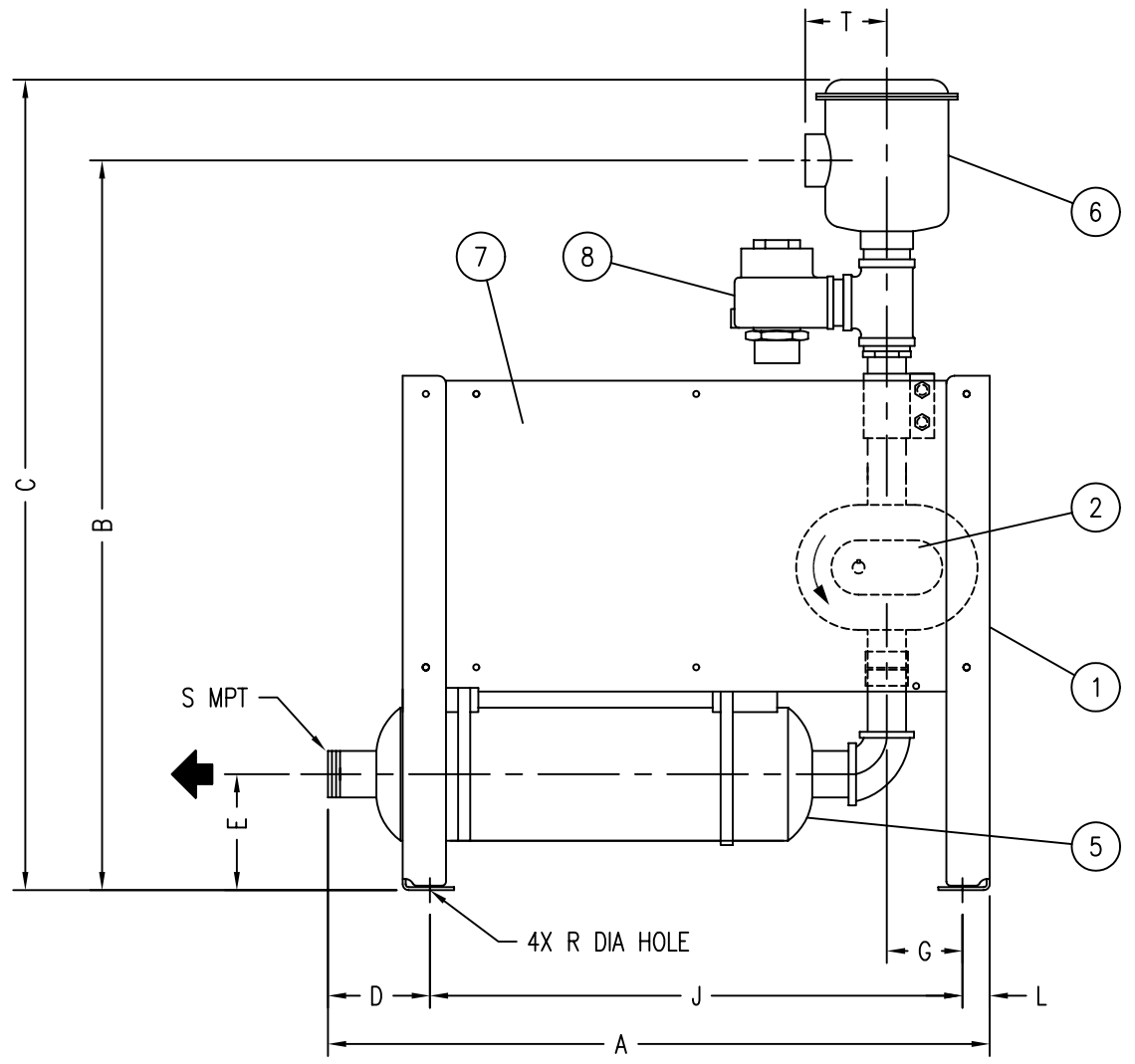
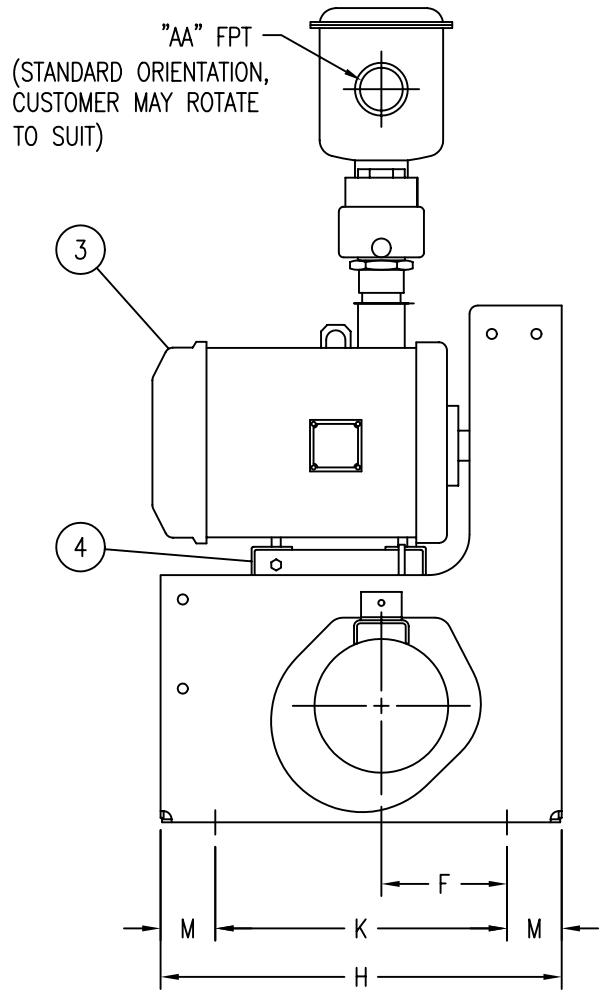
INLET SILENCER SIZE RELATIVE TO BLOWER CONNECTION SIZE: LARGER
DISCHARGE SILENCER SIZE RELATIVE TO BLOWER CONNECTION SIZE: EQUAL

TABLE-3 DIMENSION TABLE - VERSABASE CONFIGURATION V2, FIGURE 12, CSL FILTER

✓	ROOTS MODEL NO.	SUTORBILT MODEL NO.	BLOWER NPT CONN.	BASE MODEL NO.	DIMENSIONS IN INCHES												
					DISCHARGE A	INLET B	HEIGHT C	DISCHARGE D	DISCHARGE E	ROOTS F	SUTORBILT F	MPT S	T	G	W	Y	MPT AA
					EQUAL	(LARGER)	(LARGER)	EQUAL	EQUAL								
	36 URAI	4LP	2-1/2	34	41-3/8	39-5/8	46-5/8	6-5/8	7-1/4	7	7-5/8	2-1/2	9	4-5/8	46-1/8	7-5/8	3
	45 URAI	4LP	2-1/2	34	41-3/8	39-5/8	46-5/8	6-5/8	7-1/4	7-1/8	7-5/8	2-1/2	9	4-5/8	46-1/8	7-5/8	3
	47 URAI	4LP	3	34	47-1/2	39-5/8	46-5/8	12-7/8	7-1/4	8	8-7/8	3	9	4-5/8	53-3/4	7	4
	53 URAI	4LP	2-1/2	567	46-1/4	48-7/8	55-7/8	-2-3/8	10-1/2	6-3/4	8	2-1/2	9	8-7/8	51	16-3/4	3
	56 URAI	5MP	4	567	59-1/8	51	60-1/4	10-1/2	9-1/2	8-1/8	9	4	11	8-7/8	55-1/8	14-1/2	5
	59 URAI	5LP	4	567	59-1/8	51	60-1/4	10-1/2	9-1/2	9-5/8	11	4	11	8-7/8	55-1/8	14-1/2	5
	65 URAI	6HP	3	567	52-3/8	48-7/8	55-7/8	3-3/4	10-1/2	8	8-1/2	3	9	8-7/8	47-7/8	16-1/4	4
	76 URAI	7HP	4	567	59-1/8	51	60-1/4	10-1/2	9-1/2	8-1/4	9-1/8	4	11	8-7/8	61-1/4	14-1/2	5

FIGURE 12, CSL FILTER, LARGER/EQUAL, BLOWER CONNECTION 2-1/2" TO 4"

REV	DESCRIPTION	DATE	BY
		ROTATING ENGINEERED PRODUCTS, INC. 2405 MURPHY BOULEVARD GAINESVILLE, GA. 30504 TOLL FREE: (800) 536-9933, (770) 538-0020, FAX: (770) 538-0022	
		SCALE: N.T.S.	TITLE: GENERAL ARRANGEMENT DRAWING VERSABASE PACKAGE CONFIGURATION V2, FIGURE 12
DRAWN BY: AM	DATE: 5-16-2000	MODEL/CUSTOMER	DRAWING NO. SDBV024 A V2
CHECKED BY:	DATE:	SHEET NO. 3 OF 3	REV.
APPD. BY:	DATE:		



1. DIMENSION TOLERANCE: $\pm 1/2$, EXCEPT ANCHOR BOLT & FOOTPRINT PATTERN $\pm 1/4$.
2. INFORMATION HEREIN SUBJECT TO CHANGE WITHOUT NOTICE.
3. CONTACT FACTORY IF MOTOR OVERHANG DIMENSIONS ARE REQUIRED.
4. PACKAGE SHOWN IS A VB 34 WITH 2" & 2-1/2" COMPONENTS.

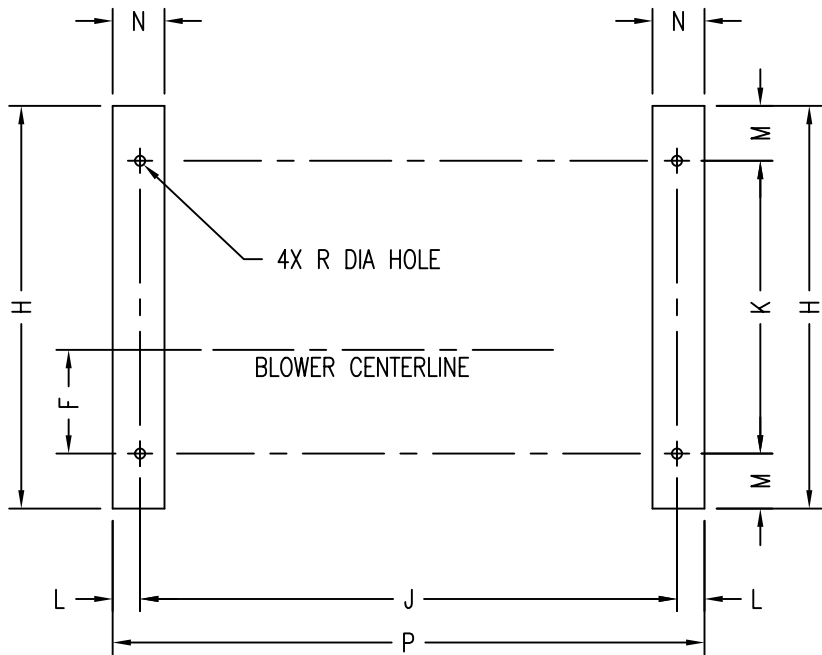
FIGURE 13, CSL FILTER, LARGER/LARGER
 BLOWER CONNECTION 1" TO 2"

REP INC. CLAIMS PROPRIETARY RIGHTS TO THE INFORMATION DISCLOSED HEREIN. THIS INFORMATION IS LOANED FOR REFERENCE ONLY AND MAY NOT BE REPRODUCED OR USED FOR MANUFACTURING PURPOSES WITHOUT WRITTEN PERMISSION FROM REP INC.

ITEM	DESCRIPTION	ITEM	DESCRIPTION
1	BASE	6	FILTER
2	BLOWER	7	GUARD COVER
3	MOTOR	8	RELIEF VALVE
4	MOTOR SLIDE BASE		
5	DISCHARGE SILENCER		

REV	DESCRIPTION	DATE	BY
		ROTATING ENGINEERED PRODUCTS, INC. 2405 MURPHY BOULEVARD GAINESVILLE, GA. 30504 TOLL FREE: (800) 536-9933, (770) 538-0020, FAX: (770) 538-0022	
SCALE: N.T.S.		TITLE: GENERAL ARRANGEMENT DRAWING VERSABASE PACKAGE CONFIGURATION V2, FIGURE 13	
DRAWN BY: AM		DATE: 8-15-2001	
CHECKED BY:		DATE:	
APPD. BY:		DATE:	
MODEL/CUSTOMER		DRAWING NO. SDBV025 A V2	SHEET NO. REV. 1 OF 3

TABLE-1 DIMENSION TABLE - BASE ANCHOR BOLT & FOOT PRINT PATTERN									
✓	BASE MODEL	DIMENSIONS IN INCHES							
		H	J	K	L	M	N	P	R DIA HOLE
	23	20-1/8	26-1/2	15-3/8	1-15/16	2-3/8	3-3/8	30-3/8	5/8
	34	24-3/4	33	18	1-11/16	3-3/8	3-3/16	36-3/8	5/8
	567	30-1/2	46-1/4	21	2-3/8	4-3/4	3-7/8	51	7/8




BASE ANCHOR BOLT & FOOTPRINT PATTERN

DIMENSION TOLERANCE: ±1/4

TABLE-2 VERSABASE BASE CAPACITY CHART																	
✓	ROOTS MODEL NO.	SUTORBILT MODEL NO.	BLOWER NPT CONN.	BASE MODEL NO.	MOTOR HORSEPOWER												
					3	5	7.5	10	15	20	25	30	40	50			
	22 URAI	2MP	1	23	X	X	X	X									
	24 URAI	2LP	2	23	X	X	X	X									
	32 URAI	3HP	1-1/4	23	X	X	X	X									
	33 URAI	3MP	2	23	X	X	X	X									
	32 URAI	3HP	1-1/4	34					X	X							
	33 URAI	3MP	2	34					X	X							
	42 URAI	4HP	1-1/2	34		X	X	X	X	X							

REV	DESCRIPTION	DATE	BY



REP
INC.

ROTATING ENGINEERED PRODUCTS, INC.
2405 MURPHY BOULEVARD GAINESVILLE, GA. 30504
TOLL FREE: (800) 536-9933, (770) 538-0020, FAX: (770) 538-0022


SCALE: N.T.S.	TITLE: GENERAL ARRANGEMENT DRAWING VERSABASE PACKAGE CONFIGURATION V2, FIGURE 13
DRAWN BY: AM CHECKED BY: AM	DATE: 8-15-2001
APPD. BY:	DATE:
MODEL/CUSTOMER	DRAWING NO. SDBV025 A V2 SHEET NO. 2 OF 3

INLET SILENCER SIZE RELATIVE TO BLOWER CONNECTION SIZE: LARGER
DISCHARGE SILENCER SIZE RELATIVE TO BLOWER CONNECTION SIZE: LARGER

TABLE-3 DIMENSION TABLE - VERSABASE CONFIGURATION V2, FIGURE 11, CSL FILTER																
✓	ROOTS MODEL NO.	SUTORBILT MODEL NO.	BLOWER NPT CONN.	BASE MODEL NO.	DIMENSIONS IN INCHES											
					DISCHARGE A	INLET B	HEIGHT C	DISCHARGE D	DISCHARGE E	ROOTS F	SUTORBILT F	MPT S	T	G	FPT AA	
					(LARGER)	(LARGER)	(LARGER)	(LARGER)	(LARGER)							
	22 URAI	2MP	1	23		36	38				4-5/8	5-1/4	1-1/2	4-1/8	3-7/8	1-1/2
	24 URAI	2LP	2	23		38-3/4	43-3/4				5-5/8	6-1/4	2-1/2	5-1/8	3-7/8	2-1/2
	32 URAI	3HP	1-1/4	23		39-1/4	44-1/2				5-3/8	5-3/4	2	4-5/8	3-7/8	2
	33 URAI	3MP	2	23	40-1/2	40-3/4	45-3/4	12	5-1/8		5-3/4	6-1/4	2-1/2	5-1/8	3-7/8	2-1/2
	32 URAI	3HP	1-1/4	34		41-3/4	47				5-3/8	5-7/8	2	4-5/8	4-5/8	2
	33 URAI	3MP	2	34		43-1/4	48-1/4				5-7/8	6-1/4	2-1/2	5-1/8	4-5/8	2-1/2
	42 URAI	4HP	1-1/2	34		42-3/4	48				5-3/4	6-1/2	2	4-5/8	4-5/8	2

FIGURE 13, CSL FILTER, LARGER/LARGER, BLOWER CONNECTION 1" TO 2"

DRAFT

REV	DESCRIPTION	DATE	BY
		ROTATING ENGINEERED PRODUCTS, INC. 2405 MURPHY BOULEVARD GAINESVILLE, GA. 30504 TOLL FREE: (800) 536-9933, (770) 538-0020, FAX: (770) 538-0022	
SCALE: N.T.S.		TITLE: GENERAL ARRANGEMENT DRAWING VERSABASE PACKAGE CONFIGURATION V2, FIGURE 13	
DRAWN BY: AM	DATE: 8-15-2001	MODEL/CUSTOMER	
CHECKED BY:	DATE:		
APPD. BY:	DATE:		
		DRAWING NO. SDBV025 A V2	SHEET NO. REV. 3 OF 3