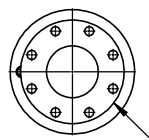
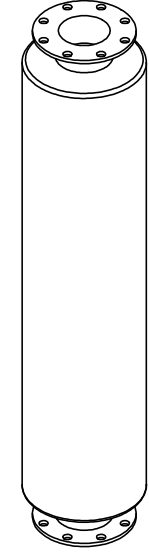
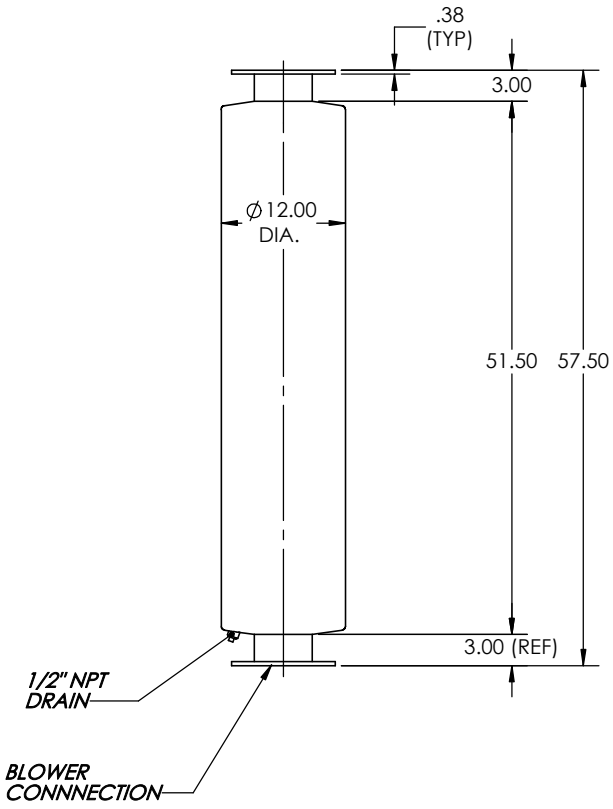


DWG. NO. 22130

REVISIONS				
ZONE	REV.	DESCRIPTION	DATE	APPROVED
	A			



5"-125/150# ANSI  
DRILLED PL. FLG.  
BOLT HOLES STRADDLE C.L.  
(TYP. INLET & OUTLET)

JOB NUMBER	PARENT P/N

**PROPRIETARY AND CONFIDENTIAL**  
THE INFORMATION CONTAINED IN THIS DRAWING IS THE SOLE PROPERTY OF PDBLOWERS, INC. ANY REPRODUCTION IN PART OR AS A WHOLE WITHOUT THE WRITTEN PERMISSION OF PDBLOWERS, INC IS PROHIBITED.

UNLESS OTHERWISE SPECIFIED:  
DIMENSIONS ARE IN INCHES  
TOLERANCES:  
FRACTIONAL ±  
ANGULAR: MACH ± BEND ±  
TWO PLACE DECIMAL ±  
THREE PLACE DECIMAL ±  
INTERPRET GEOMETRIC TOLERANCING PER:  
MATERIAL  
Material <not specified>  
THICKNESS:  
FINISH  
WEIGHT: 24.34

DRAWN	DATE	NAME
AUTHOR	8/31/2015	MH
CHECKED BY		
MFG APPR.		
COMMENTS:		

**pdbl**owers  
*inc*

2280 Chicopee Mill Road SW • Gainesville, GA • 30504  
800-536-9933

TITLE:  
SILENCER, SD-5, 5" FLANGED  
57-1/2" TALL  
UNIVERSAL

SIZE <b>B</b>	DWG. NO. 22130	REV
SCALE: 1:12	SHEET 1 OF 2	