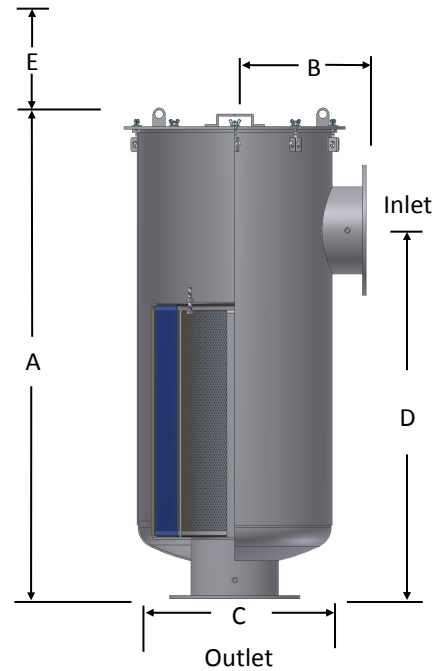


"L" Style Vacuum Filters CSL Series 3"-6"MPT,4"-12"FLG



Features

- Heavy duty T bolts for easy maintenance
- Corrosive resistant carbon steel construction
- Black powder coat finish
- O-ring seal with U-channel groove
- Inlet & outlet 1/4" gauge taps

Technical Specifications

- Vacuum Rating: Medium vacuum service**
- Hydrostatically tested to 0.5 bar pressure
- Temp (continuous): min -15°F (-26°C) max 220°F (104°C)
- Filter change out differential: 15-20" H₂O over initial Δ P
- Polyester: 99%+ removal efficiency standard to 5 micron
- Paper: 99%+ removal efficiency standard to 2 micron

** See Vacuum Filter Technical Data for vacuum service data.

Benefits

- Mount horizontally or inverted with "Stay in Place" o-ring u-channel groove
- Low pressure drop construction

Options



- Straight-through configurations
- Various filter media
- Stainless steel
- Various nonstandard finishes and connection styles
- ISO Flange (contact factory for specs, sizes & availability)
- Flange faces free of paint
- Internal surfaces free of paint
- Lifting lugs
- Brackets for optional support legs
- Mounting housing bands
- Nameplate bracket

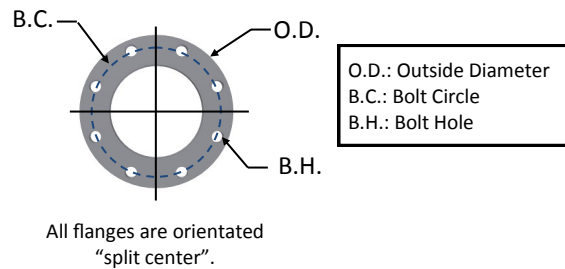
Flanged Assemblies

Flange Inlet & Outlet	Assembly SCFM Rating	Assembly Part Number		Dimensions - inches				Suggested Service HT. E	Approx. Wt. lbs	Replacement Element Part No.		Element SCFM Rating
		Polyester	Paper	A	B	C	D			Polyester	Paper	
4"	520	CSL-235P-400F	CSL-234P-400F	27 3/8	9	14	18 1/2	15	62	235P	234P	570
4"	520	CSL-335P-400F	CSL-334P-400F	27 3/8	9	14	18 1/2	20	64	335P	334P	800
5"	800	CSL-245P-500F	CSL-244P-500F	28 1/4	11	18 1/2	19 1/2	15	88	245P	244P	880
5"	800	CSL-345P-500F	CSL-344P-500F	28 1/4	11	18 1/2	19 1/2	20	90	345P	344P	1100
6"	1100	CSL-275P-600F	CSL-274P-600F	29 1/4	12	18 1/2	20 1/2	15	110	275P	274P	1100
6"	1100	CSL-375P-600F	CSL-374P-600F	29 1/4	12	18 1/2	20 1/2	20	113	375P	374P	1500
8"	1800	CSL-377P-800F	CSL-376P-800F	39 1/8	14	22 1/2	25 1/2	20	185	377P	376P	1825
10"	2900	CSL-685P-1000F	CSL-384P(2)-1000F*	57 1/2	16	27	45	33	380	685P	384P (2)	6600
12"	4950	CSL-485P(2)-1200F*	CSL-484P(2)-1200F*	70 1/4	16	27	57	25	465	485P (2)	484P (2)	9410

See Vacuum Filter Technical Data section for sizing guidelines.

* Denotes 2 elements stacked in housing.

125/150# Pattern Flg	Dimensions - inches			No. of Holes	Flange Thickness
	O.D.	B.C.	B.H.		
4"	9	7 1/2	0.75	8	0.38
5"	10	8 1/2	0.88	8	0.38
6"	11	9 1/2	0.88	8	0.38
8"	13 1/2	11 3/4	0.88	8	0.38
10"	16	14 1/4	1	12	0.38
12"	19	17	1	12	0.5



MPT Assemblies

MPT Inlet & Outlet	Assembly SCFM Rating	Assembly Part Number		Dimensions - inches				Suggested Service HT. E	Approx. Wt. lbs	Replacement Element Part No.		Element SCFM Rating
		Polyester	Paper	A	B	C	D			Polyester	Paper	
3"	300	CSL-235P-300	CSL-234P-300	27 3/8	9	14	18 1/2	10	47	235P	234P	570
3"	300	CSL-335P-300	CSL-334P-300	27 3/8	9	14	18 1/2	15	50	335P	334P	800
4"	520	CSL-235P-400	CSL-234P-400	27 3/8	9	14	18 1/2	10	52	235P	234P	570
4"	520	CSL-335P-400	CSL-334P-400	27 3/8	9	14	18 1/2	15	55	335P	334P	800
5"	800	CSL-245P-500	CSL-244P-500	28 1/4	11	18 1/2	19 1/2	10	82	245P	244P	880
5"	800	CSL-345P-500	CSL-344P-500	28 1/4	11	18 1/2	19 1/2	15	88	345P	344P	1100
6"	1100	CSL-275P-600	CSL-274P-600	29 1/4	12	18 1/2	20 1/2	10	95	275P	274P	1100
6"	1100	CSL-375P-600	CSL-374P-600	29 1/4	12	18 1/2	20 1/2	15	97	375P	374P	1500

See Vacuum Filter Technical Data section for sizing guidelines.