

Stoddard Silencers, Inc.
 1017 Progress Dr.
 Grayslake, Illinois 60030
 Phone (847) 223-8636

name

F65-2 Inline Filter
 with Paper Element

A

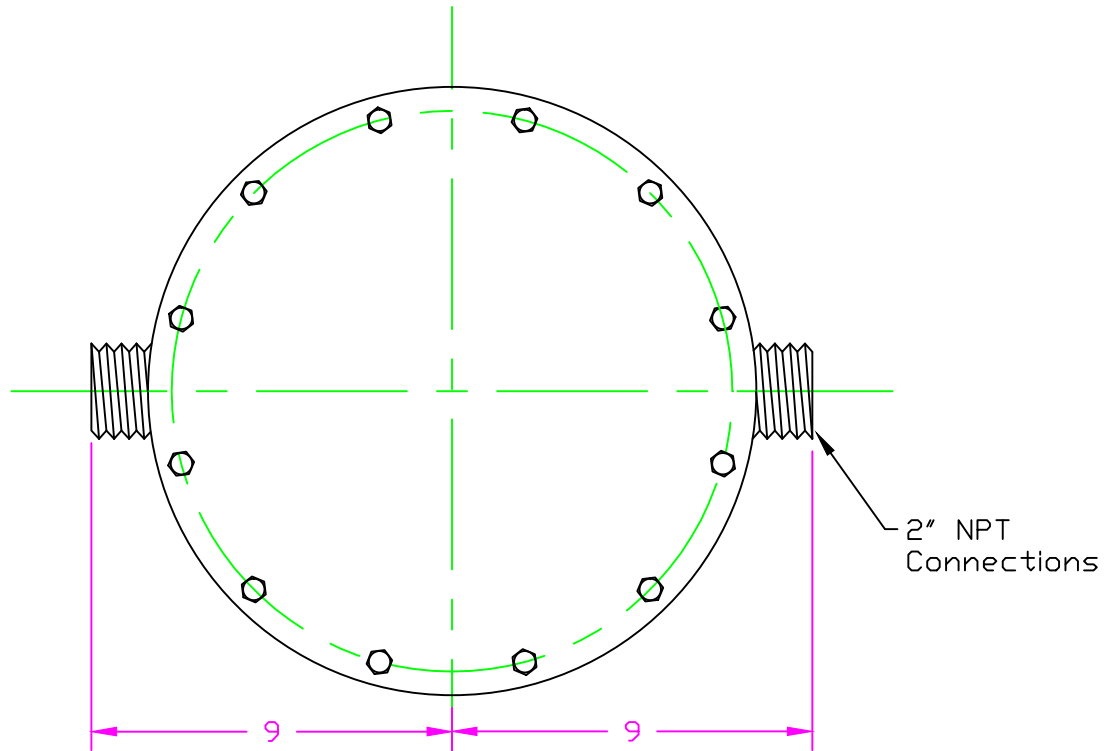
no. 45013

date 8/19/81

by REK

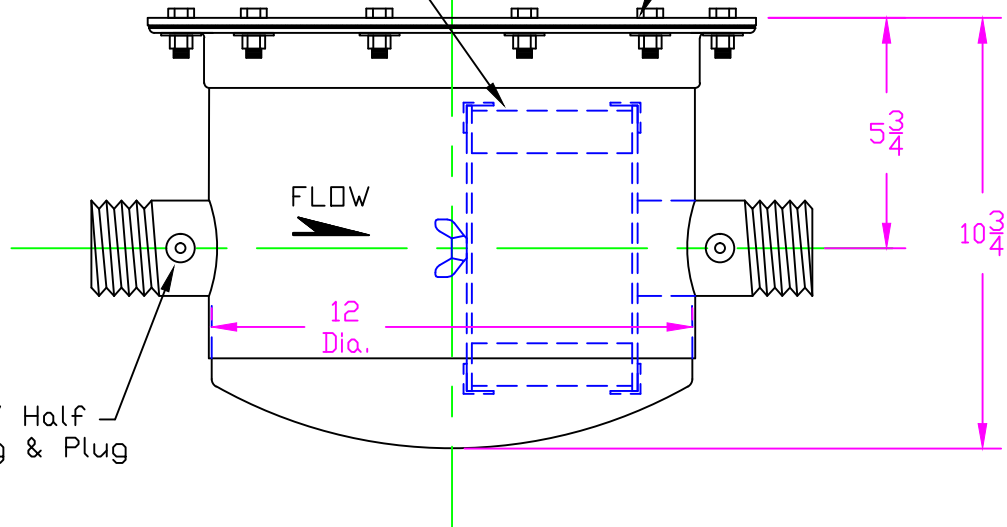
appd.

no.	
revision	
date	
by	
no.	2
	1
	Extended pipe lengths
date	9/4/97
by	JMJ
	JMJ



F8-108 Replaceable Filter Element

Access Panel for Filter Removal



EXTERNAL DIMENSIONS CERTIFIED FOR:

F65-2, Scale:1=5

CUST. P.O. No.

S.S. NO. BY

approx. wt. 38 lbs.

material Carbon Steel

finish Shop Coat Primer

REV. -2

no. 45013