

Stoddard Silencers, Inc.  
 1017 Progress Dr.  
 Grayslake, Illinois 60030  
 Phone (847) 223-8636

name

F65-4 Inline Filter  
 with Paper Element

A

no.

45016

date

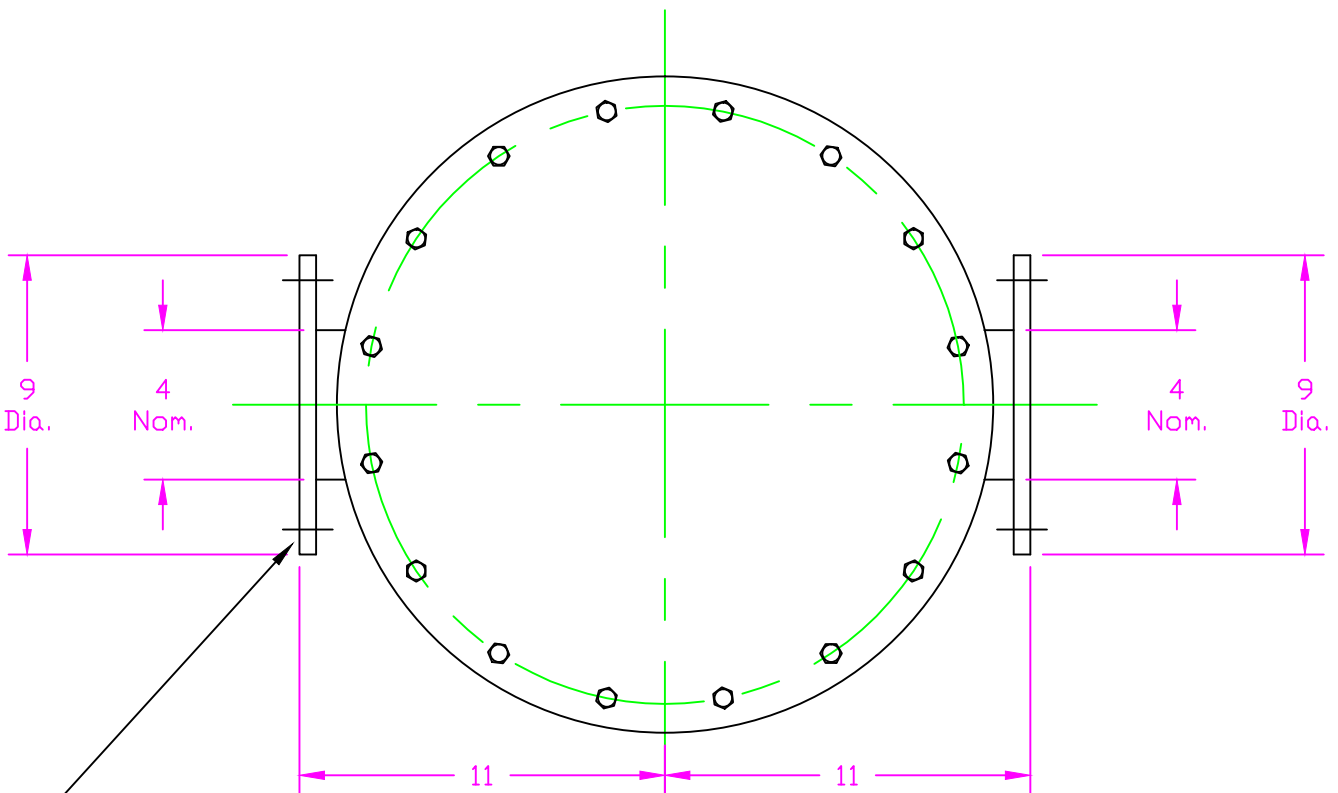
5/24/90

by

ESS

appd.

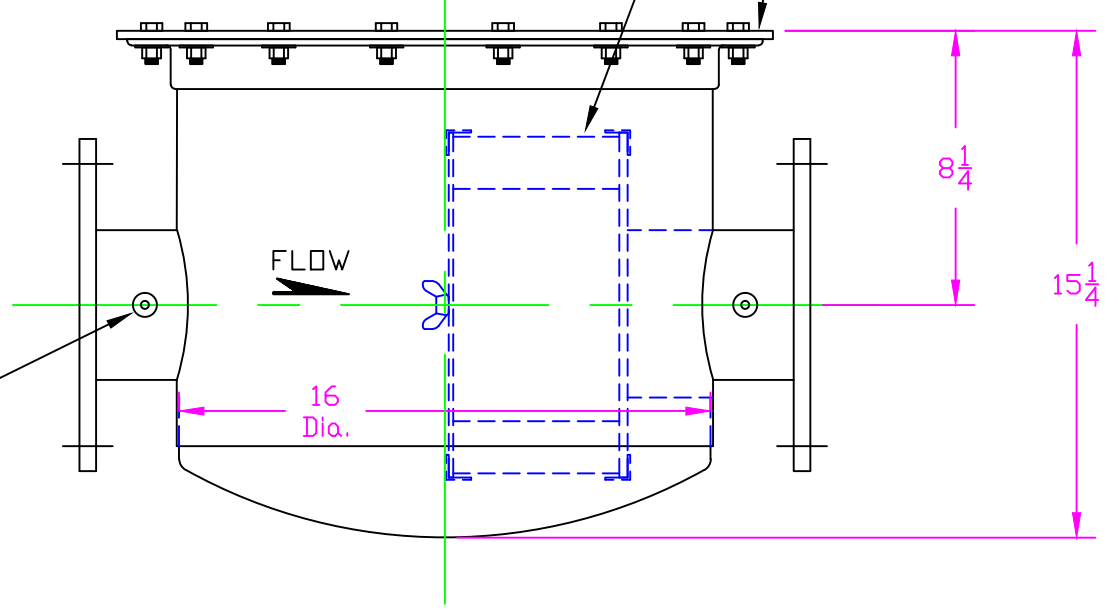
no.	
revision	
date	
by	
no.	2
	Finish was enamel
no.	1
	Corrected Pipe Cl. dim.
date	9/5/97
by	JMJ
	A
no.	45016
rev.	-2



8 Holes, 3/4" Dia. on  
 7-1/2" Bolt Circle,  
 Straddling Centerlines,  
 Both Flanges

F8-109 Replaceable  
 Filter Element

Access Panel for  
 Filter Removal



(2) 1/4" Half  
 Coupling & Plug

EXTERNAL DIMENSIONS CERTIFIED FOR:

CUST. P.O. No.	S.S. NO. BY	approx. wt. 77 lbs.
		material Carbon Steel
		finish Shop Coat Primer