

Stoddard Silencers, Inc.
 1017 Progress Dr.
 Grayslake, Illinois 60030
 Phone (847) 223-8636

name

F65-5 Inline Filter
 with Paper Element

A

no.

45017

date

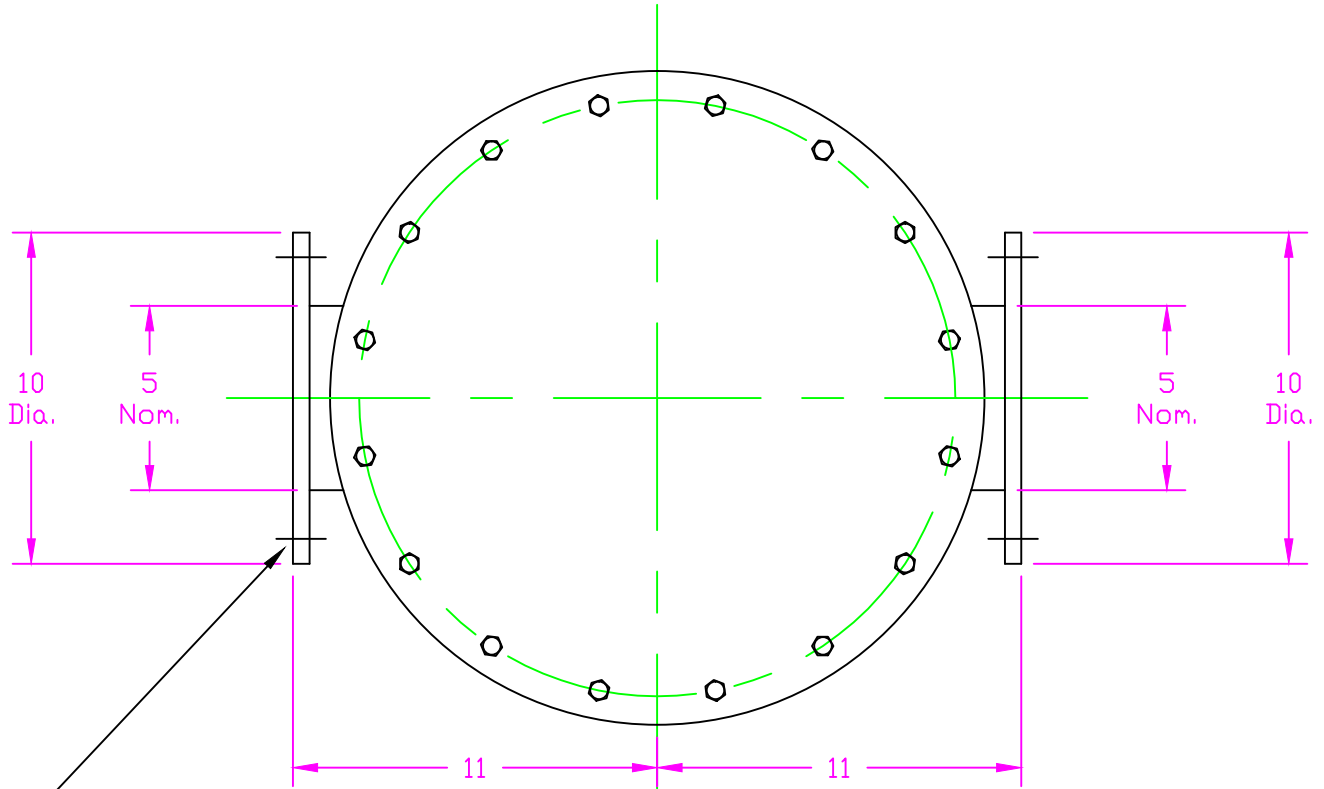
11/17/81

by

CRC

appd.

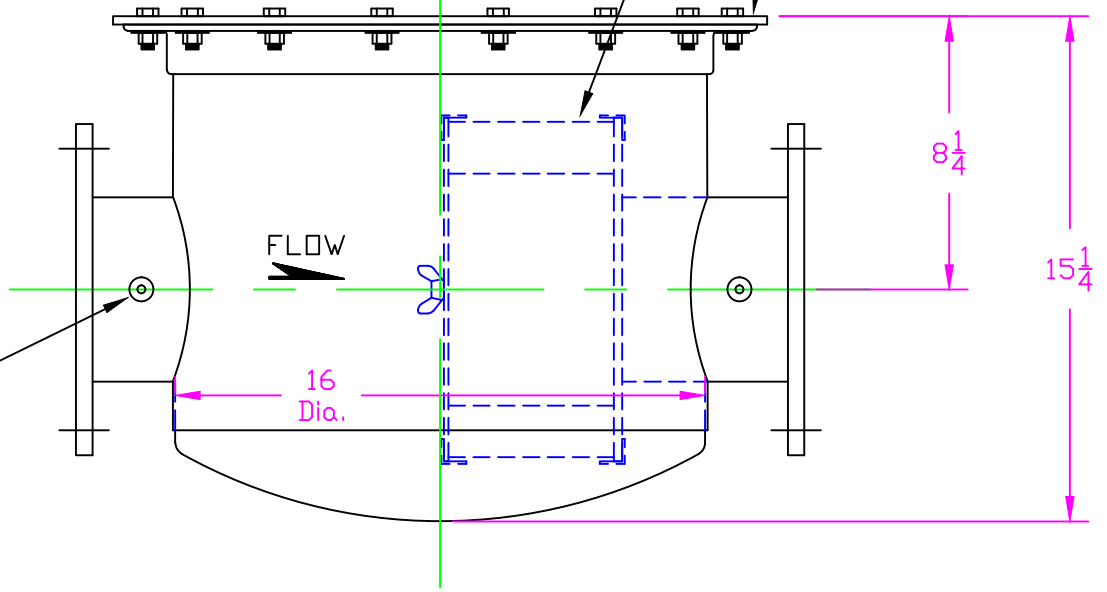
no.	
revision	
date	
by	
no.	1
	Finish was enamel
date	9/5/97
by	JMJ
A	
no.	45017
rev.	-1



8 Holes, 7/8" Dia. on
 8-1/2" Bolt Circle,
 Straddling Centerlines,
 Both Flanges

F8-109 Replaceable
 Filter Element

Access Panel for
 Filter Removal



(2) 1/4" Half
 Coupling & Plug

EXTERNAL DIMENSIONS CERTIFIED FOR:

F65-5, Scale:1=6

CUST.
 P.O. No.

S.S. NO.
 BY

approx. wt.	80	lbs.
material	Carbon Steel	
finish	Shop Coat Primer	