

Stoddard Silencers, Inc.  
 1017 Progress Dr.  
 Grayslake, Illinois 60030  
 Phone (847) 223-8636

name

F65V-2-1/2" Inline Filter  
 with Paper Element

A

no.

45V002

date

12/19/02

by

JG

appd.

no.

revision

date

by

no.

date

by

A

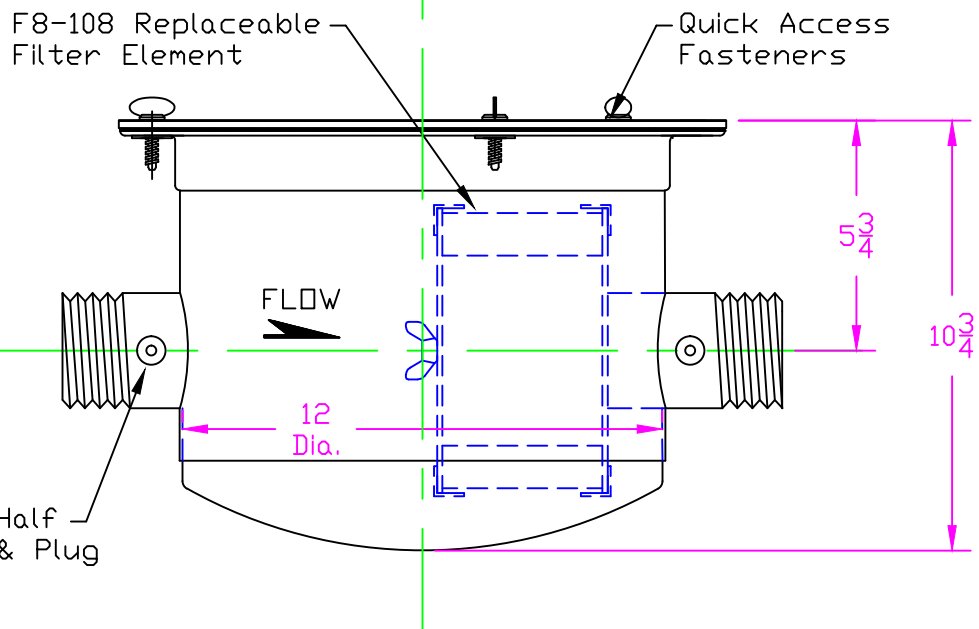
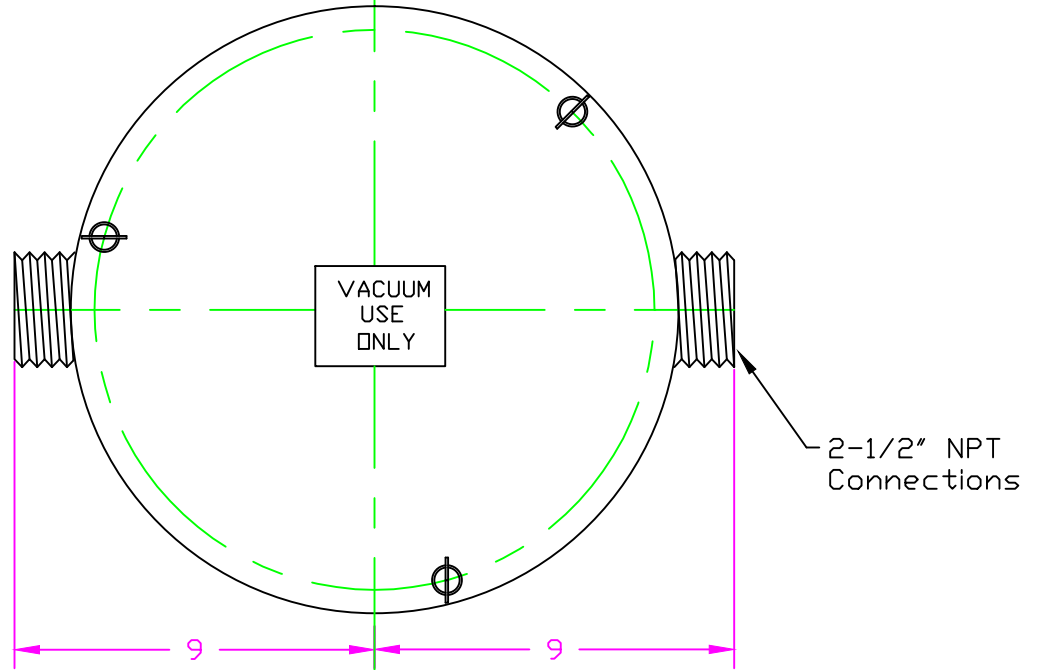
no.

45V002

- 0

rev.

VACUUM USE ONLY



EXTERNAL DIMENSIONS CERTIFIED FOR:

CUST.  
 P.O. No.

S.S. NO.  
 BY

approx. wt.	42	lbs.
material	Carbon Steel	
finish	Shop Coat Primer	